

AKD[®]2G-Sxx with Functional Safety Option 1 STO - SIL2 Installation Manual, English



Manual Edition: C, July 2020
 Safety Edition: S102, April 2020
 Valid for AKD[®]2G-S Hardware Revision A
 Part Number 907-200003-00

Original Document



For safe and proper use, follow these instructions. Keep for future use.



Beta Drives: All approvals are pending.

Record of Document Revisions

| Edition | Remarks |
|------------|---|
| ... | Table with lifecycle information of this document (→ # 155) |
| A, 12/2019 | First edition |
| B, 04/2020 | Electrical data updated, UL markings updated, default setting: STO active, connector tightening torque added to connector pin assignments, regen resistor wiring updated, AXIS#.ZEROx keywords updated for stop diagrams, X1/X2 feedback voltage 11V, X23 max. current 350mA, FS trouble shooting updated, SFA voltage/current values, continuous brake power of external regen resistor reduced, CE: external EMC mains filters for 7V models, max. cable length for unshielded I/O lines, 24V supply with X10T, SFF=75%, PROFINET added, EtherNet/IP added, X22 digital feedbacks added, breakers for 7V models removed |
| C, 07/2020 | Performance data table corrected, mounting M/P values synchronized, X23/X41 pinout Step/Dir&CW/CCW updated, chapter CAN termination improved, PROFINET/EtherNet-IP label CHx->Portx, UL Markings updated, Modbus added |

Hardware Revision (HR)

| AKD2G | Firmware | Workbench | KAS IDE | Remarks |
|-------|-------------------|------------------|-----------|----------------|
| A | from 02-00-00-000 | from 2.00.0.0000 | from 3.01 | First revision |
| | | | | |

Trademarks

- AKD is a registered trademark of Kollmorgen Corporation.
- EnDat is a registered trademark of Dr. Johannes Heidenhain GmbH.
- EtherCAT is a registered trademark and patented technology, licensed by Beckhoff Automation GmbH, Germany.
- EtherNet/IP is a registered trademark of ODVA, Inc.
- HIPERFACE is a registered trademark of Max Stegmann GmbH.
- PROFINET is a registered trademark of PROFIBUS and PROFINET International (PI).
- Windows is a registered trademark of Microsoft Corporation.

Current patents

- US Patent 2017/0211640 (method and apparatus for power saving, fail-safe control of an electromechanical brake), patent pending
- US Patent 16,247,478 (method and apparatus for limiting the output voltages of switching mode power supplies), patent pending
- US Patent 8,154,228 (Dynamic Braking For Electric Motors)
- US Patent 8,214,063 (Auto-tune of a Control System Based on Frequency Response)
- US Patent 10.374.468 (System and method for improved DC power line communication)

Patents referring to fieldbus functions are listed in the matching fieldbus manual.

Technical changes which improve the performance of the device may be made without prior notice!

This document is the intellectual property of Kollmorgen. All rights reserved. No part of this work may be reproduced in any form (by photocopying, microfilm or any other method) or stored, processed, copied or distributed by electronic means without the written permission of Kollmorgen.

1 Table of Contents

| | |
|--|-----------|
| 1 Table of Contents | 3 |
| 2 General | 9 |
| 2.1 About this Installation Manual | 10 |
| 2.2 Using the PDF Format | 10 |
| 2.3 Symbols Used | 11 |
| 2.4 Abbreviations Used | 12 |
| 3 Product Safety | 13 |
| 3.1 You should pay attention to this | 14 |
| 3.2 Use as Directed | 16 |
| 3.3 Prohibited Use | 17 |
| 3.4 Warning note labels | 17 |
| 3.4.1 Notes placed on the product | 17 |
| 3.4.2 Adhesive label in the package | 17 |
| 3.5 Shock-hazard Protection | 18 |
| 3.5.1 Leakage current | 18 |
| 3.5.2 Residual current protective device (RCD) | 18 |
| 3.5.3 Isolating transformers | 18 |
| 3.6 Stop / Emergency Stop / Emergency Off | 19 |
| 3.6.1 Stop | 19 |
| 3.6.2 Emergency Stop | 20 |
| 3.6.3 Emergency Off | 20 |
| 4 Product life cycle handling | 21 |
| 4.1 Transport | 22 |
| 4.2 Packaging | 22 |
| 4.3 Storage | 22 |
| 4.4 Installation, setup and normal operation | 23 |
| 4.5 Decommissioning | 23 |
| 4.6 Maintenance and cleaning | 23 |
| 4.7 Disassembly | 23 |
| 4.8 System Repair | 24 |
| 4.9 Disposal | 24 |
| 5 Package | 25 |
| 5.1 Package Supplied | 26 |
| 5.2 Nameplate | 26 |
| 5.3 Part Number Scheme | 27 |
| 6 Technical description and data | 28 |
| 6.1 The AKD2G Family of Digital Drives | 29 |
| 6.2 Ambient Conditions, Ventilation, and Mounting Position | 31 |
| 6.3 Mechanical Data | 31 |
| 6.4 Performance Data | 32 |
| 6.5 Electrical data | 33 |
| 6.5.1 Single axis variants (S) | 33 |
| 6.5.1.1 Mains supply data, 1 phase AC, type AKD2G-Sxx- (S) | 33 |
| 6.5.1.2 Mains supply data, 3 phase AC, type AKD2G-Sxx- (S) | 33 |
| 6.5.1.3 Mains supply data, DC, type AKD2G-Sxx- (S) | 33 |
| 6.5.1.4 Auxiliary voltage input data, 24VDC, type AKD2G-Sxx- (S) | 33 |
| 6.5.1.5 Output data, type AKD2G-Sxx- (S) | 34 |
| 6.5.2 Dual axis variants (D: I1=I2) | 35 |
| 6.5.2.1 Mains supply data, 1 phase AC, type AKD2G-Sxx- (D) | 35 |
| 6.5.2.2 Mains supply data, 3 phase AC, type AKD2G-Sxx- (D) | 35 |

| | | |
|----------|--|-----------|
| 6.5.2.3 | Mains supply data, DC, type AKD2G-Sxx- (D) | 35 |
| 6.5.2.4 | Auxiliary voltage input data, 24VDC, type AKD2G-Sxx- (D) | 35 |
| 6.5.2.5 | Output data, type AKD2G-Sxx- (D) | 36 |
| 6.6 | Electrical Motor Braking | 37 |
| 6.6.1 | Drive Dynamic Braking | 37 |
| 6.6.2 | Regeneration braking | 37 |
| 6.6.2.1 | Functional description | 37 |
| 6.6.2.2 | Technical data for AKD2G-Sxx-6V | 38 |
| 6.6.2.3 | Technical data for AKD2G-Sxx-7V | 38 |
| 6.7 | LCD Display and Push-buttons (B1, B2) | 39 |
| 6.8 | SD Card Slot | 41 |
| 7 | Mechanical Installation | 42 |
| 7.1 | Important Notes | 43 |
| 7.2 | Guide to Mechanical Installation | 43 |
| 7.3 | Dimensions | 44 |
| 8 | Electrical Installation | 45 |
| 8.1 | Important Notes | 46 |
| 8.2 | Guide to electrical installation | 47 |
| 8.3 | Wiring | 48 |
| 8.3.1 | General | 48 |
| 8.3.2 | Mating connectors | 48 |
| 8.3.3 | Cable and Wire Requirements | 49 |
| 8.3.3.1 | Cable material | 49 |
| 8.3.3.2 | Cable Length | 49 |
| 8.3.3.3 | T-Connector wiring | 49 |
| 8.3.3.4 | Cable cross sections and requirements | 50 |
| 8.3.4 | Protective Earth connection | 51 |
| 8.4 | EMI Noise Reduction | 52 |
| 8.4.1 | Recommendations for EMI noise reduction | 52 |
| 8.4.2 | Shielding with external shielding busbar | 53 |
| 8.4.2.1 | Shielding Concept | 53 |
| 8.4.2.2 | Shielding Busbar | 54 |
| 8.4.3 | Shielding connection to the drive | 55 |
| 8.4.3.1 | Shielding Concept | 55 |
| 8.4.3.2 | Grounding plates and shield connection clamps | 56 |
| 8.4.3.3 | Motor connector X1/X2 with shielding connection | 56 |
| 8.5 | Connection Overview | 57 |
| 8.5.1 | Connector Position AKD2G-Sxx-6V | 57 |
| 8.5.2 | Connector Position AKD2G-Sxx-7V | 58 |
| 8.5.3 | Wiring overview, single axis drive | 59 |
| 8.5.4 | Wiring overview, dual axis drive | 60 |
| 8.5.5 | Connector pin assignments | 61 |
| 8.5.5.1 | X1 and X2: Motor, Brake, Feedback 1 | 61 |
| 8.5.5.2 | X3: Mains, regen resistor, DC-Bus | 61 |
| 8.5.5.3 | X10: 24 VDC | 62 |
| 8.5.5.4 | X11, X12: EtherNet Fieldbus | 62 |
| 8.5.5.5 | X13, X14: CAN bus (optional) | 62 |
| 8.5.5.6 | X20: Service | 62 |
| 8.5.5.7 | X21: I/O, Feedback 4 | 63 |
| 8.5.5.8 | X22: I/O, EEO2, Feedback 5 | 64 |
| 8.5.5.9 | X23: I/O, EEO1, Feedback 3 | 65 |
| 8.5.5.10 | X41: SFA Feedback converter, EEO3/EEO4 (accessory) | 66 |
| 8.6 | Power and Logic Voltage Supply (X3/X10) | 67 |
| 8.6.1 | Mains power supply (X3) | 67 |

| | | |
|----------|---|-----|
| 8.6.1.1 | Wiring examples mains power supply | 68 |
| 8.6.1.2 | Fusing | 71 |
| 8.6.2 | Auxiliary voltage power supply 24 VDC (X10) | 75 |
| 8.6.2.1 | Fusing | 75 |
| 8.6.2.2 | Wiring example 24 VDC supply | 75 |
| 8.7 | DC Bus link (X3) | 76 |
| 8.7.1 | Fusing | 76 |
| 8.7.2 | Wiring example with T connectors | 77 |
| 8.7.3 | Wiring example with busbar | 77 |
| 8.8 | Regen resistor (X3) | 78 |
| 8.8.1 | Fusing and Wiring | 78 |
| 8.9 | Motor Power, Brake and Feedback connection | 79 |
| 8.9.1 | Motor connectivity, some examples | 79 |
| 8.9.2 | Motor single cable connection | 80 |
| 8.9.2.1 | Motor Power, Brake and Feedback connectors X1, X2 | 80 |
| 8.9.2.2 | Feedback connectors X21, X22, X23 | 81 |
| 8.9.3 | Motor dual cable connection | 82 |
| 8.9.3.1 | Motor power and motor brake connectors X1, X2 | 83 |
| 8.9.3.2 | Feedback connectors X1, X2, X41, X21, X22, X23 | 83 |
| 8.9.4 | Motor Holding Brake Connection | 84 |
| 8.9.5 | Feedback Connection | 86 |
| 8.9.5.1 | Feedback Connector X1, X2 | 87 |
| 8.9.5.2 | Feedback Connector X21 | 88 |
| 8.9.5.3 | Feedback Connector X22 | 89 |
| 8.9.5.4 | Feedback Connector X23 | 90 |
| 8.9.5.5 | Feedback Connector X41 (SFA, accessory) | 91 |
| 8.10 | EEO, Electronic Gearing, Master-Slave | 92 |
| 8.10.1 | Emulated Encoder Output (EEO) | 92 |
| 8.10.2 | Electronic Gearing | 94 |
| 8.10.3 | Master-Slave control | 94 |
| 8.10.3.1 | Master-Slave using X22 | 94 |
| 8.10.3.2 | Master-Slave using optional X23 or X41 | 94 |
| 8.11 | EtherNet Fieldbus Interface (X11/X12) | 95 |
| 8.11.1 | EtherCAT® | 95 |
| 8.11.2 | PROFINET (available 2021) | 96 |
| 8.11.3 | EtherNet/IP (available 2021) | 97 |
| 8.12 | CAN-Bus Interface (X13/X14) | 98 |
| 8.12.1 | CAN-Bus Topology | 98 |
| 8.12.2 | CAN-Bus Wiring | 99 |
| 8.12.3 | Baud rate for CAN-Bus | 100 |
| 8.12.4 | Node Address for CAN-Bus | 100 |
| 8.12.5 | CAN-Bus Termination | 100 |
| 8.13 | Service Interface (X20) | 101 |
| 8.13.1 | Possible Network Configurations | 101 |
| 8.14 | Modbus TCP (X20) | 102 |
| 8.15 | I/O Connection (X21/X22/X23) | 103 |
| 8.15.1 | Pinout | 103 |
| 8.15.2 | Technical data | 104 |
| 8.15.3 | Analog Input | 105 |
| 8.15.4 | Analog Output | 106 |
| 8.15.5 | Digital Inputs | 107 |
| 8.15.5.1 | Digital-In 1 and 2 | 107 |
| 8.15.5.2 | Digital-In 3 to 12 | 108 |
| 8.15.5.3 | Digital-In/Out 1 and 2 | 109 |

| | |
|---|------------|
| 8.15.5.4 Digital-In/Out 3 to 6 | 110 |
| 8.15.6 Digital Outputs | 111 |
| 8.15.6.1 Digital-Out 1 to 6 | 111 |
| 8.15.6.2 Digital-Out 7 and 8 | 112 |
| 8.15.6.3 Digital-In/Out 1 and 2 | 113 |
| 8.15.6.4 Digital-In/Out 3 to 6 | 113 |
| 8.15.6.5 Digital-Out 9, Relay contacts | 114 |
| 9 Setup | 115 |
| 9.1 Important Notes | 116 |
| 9.2 Guide to drive setup | 117 |
| 9.2.1 Initial Drive Test Procedure | 117 |
| 9.2.1.1 Unpacking, mounting, and wiring the AKD2G | 117 |
| 9.2.1.2 Minimum wiring for drive test without load, example | 117 |
| 9.2.1.3 Confirm connections (example: directly to PC) | 118 |
| 9.2.1.4 System integration | 118 |
| 9.2.1.5 Install and start WorkBench | 119 |
| 9.2.1.6 Setup the axis in WorkBench | 119 |
| 9.2.1.7 Enable the axis (Hardware) | 119 |
| 9.2.1.8 Move the motor axis | 119 |
| 9.2.1.9 Tune the axis | 119 |
| 9.2.2 Setup software WorkBench | 120 |
| 9.2.2.1 Use as directed | 120 |
| 9.2.2.2 Software description | 121 |
| 9.2.2.3 Hardware requirements | 121 |
| 9.2.2.4 Operating systems | 121 |
| 9.2.2.5 Installation under Windows 7/8/10 | 122 |
| 9.3 Switch-On and Switch-Off Behavior | 123 |
| 9.3.1 Switch-on behavior in standard operation | 124 |
| 9.3.2 Switch-off behavior | 125 |
| 9.3.2.1 Switch-off behavior using the AXIS#.DIS command | 125 |
| 9.3.2.2 Switch-off behavior using a digital input (controlled stop) | 126 |
| 9.3.2.3 Switch-off behavior using STO input (uncontrolled stop) | 126 |
| 9.3.2.4 Switch-off behavior in the event of a fault | 127 |
| 9.4 Fault and Warning Messages | 130 |
| 9.4.1 Fault and warning messages AKD2G | 130 |
| 9.5 Troubleshooting | 131 |
| 10 Safety Manual | 133 |
| 10.1 General notes | 134 |
| 10.1.1 Use as directed | 135 |
| 10.1.2 Prohibited use | 135 |
| 10.1.3 Abbreviations used for functional safety | 135 |
| 10.1.4 Enclosure, wiring | 136 |
| 10.2 Verification | 137 |
| 10.3 Safety Function Option 1 (I/O, SIL2 PLd) | 137 |
| 10.3.1 Safety Properties Overview | 138 |
| 10.3.2 Technical Data | 138 |
| 10.3.3 STO (Safe Torque Off) | 139 |
| 10.3.3.1 Important Notes | 139 |
| 10.3.3.2 Activation | 139 |
| 10.3.3.3 Restart | 140 |
| 10.3.3.4 Timing | 141 |
| 10.3.3.5 Safety Diagnostic view in WorkBench | 141 |
| 10.3.3.6 Fault Reaction / Failure Messages | 142 |
| 10.4 Settings | 143 |

| | |
|---|------------|
| 10.5 Safety Faults, Safety Warnings | 144 |
| 10.5.1 Drive LCD Display | 144 |
| 10.5.2 Drive Safety Faults | 145 |
| 10.5.3 Drive Safety Warnings | 145 |
| 10.5.4 Troubleshooting safety functionality | 145 |
| 10.6 Functional Safety Parameter Reference | 146 |
| 10.6.1 Safety Parameters, sorted alphanumeric | 147 |
| 10.6.1.1 AXIS#.SAFE.STO.A | 147 |
| 10.6.1.2 AXIS#.SAFE.STO.B | 147 |
| 10.6.1.3 AXIS#.SAFE.STO.ACTIVE | 148 |
| 10.6.1.4 AXIS#.SAFE.STO.REPORTFAULT | 148 |
| 11 Approvals | 149 |
| 11.1 Conformance with UL/cUL | 150 |
| 11.2 Conformance with European Directives | 151 |
| 11.3 Conformance with RoHS | 152 |
| 11.4 Conformance with REACH | 152 |
| 11.5 Functional Safety approval | 152 |
| 11.6 Conformance with EAC | 152 |
| 12 Index | 153 |
| 13 Record of document revisions | 155 |

-- / --

2 General

| | |
|---|-----------|
| 2.1 About this Installation Manual | 10 |
| 2.2 Using the PDF Format | 10 |
| 2.3 Symbols Used | 11 |
| 2.4 Abbreviations Used | 12 |

2.1 About this Installation Manual

This document, the *AKD[®]2G Installation Manual* ("Instructions Manual" according to EC Machinery Directive 2006/42/EU), describes the AKD[®]2G series of digital drives and includes information needed to safely install an AKD2G.

This document is valid for AKD2G single axis drive or dual axis drive with 110 V to 240 V or 240 V to 480 V mains voltage.

- Output stages: 3 A or 6 A or 12 A rated current
- Programmability options: Base drive or Position Indexer drive
- Connectivity options: analog, CANopen, EtherCAT, PROFINET, EtherNet/IP
- I/O options: Extended I/O (X22), Feedback&EEO (X23)
- Functional Safety Option: FS1 with STO; SIL2 PLd

A digital version of this manual (pdf format) is available on the DVD included with your drive.

AKD2G information for use consist of:

- *Safety Notes*: multi-language document with safety information, part of product delivery in Europe, printed on paper DIN A5.
- *Installation Manual*: This document, describes the AKD2G series of digital drives and includes information needed to safely install an AKD2G.
- *WorkBench Online Help*: describes how to use your drive in common applications. It also provides tips for maximizing your system performance with the AKD2G. The *Online Help* includes the *Parameter and Command Reference Guide* which provides information for the parameters and commands used to program the AKD2G.
- *CAN-BUS Communication*: describes how to use your drive in CANopen applications.
- *EtherCAT Communication*: describes how to use your drive in EtherCAT applications.
- *PROFINET Communication*: describes how to use your drive in PROFINET applications (available 2021).
- *EtherNet/IP Communication*: describes how to use your drive in EtherNet/IP applications (available 2021).
- *Accessories Manual*: provides information for accessories like cables and regen resistors used with AKD2G. Regional variants of this manual exist.

All documents can be downloaded from the Kollmorgen website www.kollmorgen.com.











2.2 Using the PDF Format

This document includes several features for ease of navigation


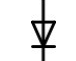

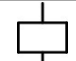


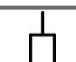



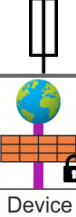
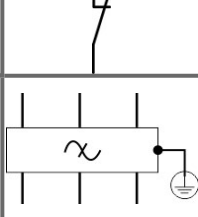
| | |
|---|--|
| Cross References | Table of contents and index include active cross references. |
| Table of contents and index | Lines are active cross references. Click on the line and the appropriate page is accessed. |
| Page/chapter numbers in the text | Page/chapter numbers with cross references are active links. |

2.3 Symbols Used

Warning Symbols

| Symbol | Indication |
|---|--|
|  | Indicates a hazardous situation which, if not avoided, will result in death or serious injury. |
|  | Indicates a hazardous situation which, if not avoided, could result in death or serious injury. |
|  | Indicates a hazardous situation which, if not avoided, could result in minor or moderate injury. |
|  | Indicates situations which, if not avoided, could result in property damage. |
|  | This symbol indicates important notes. |
|  | Warning of a danger (general). The type of danger is specified by the text next to the symbol. |
|  | Warning of danger from electricity and its effects. |
|  | Warning of danger from hot surface. |
|  | Warning of danger from suspended loads. |
|  | Warning of danger from automatic start. |

Drawing symbols

| Symbol | Description | Symbol | Description |
|---|---------------------------|--|--------------------------|
|  | Signal ground |  | Diode |
|  | Chassis ground |  | Relay |
|  | Protective earth |  | Relay switch off delayed |
|  | Resistor |  | Normally open contact |
|  | Fuse |  | Normally closed contact |
|  | State-of-the-art firewall |  | EMC filter |

2.4 Abbreviations Used

Abbreviations related to functional safety (→ # 135).

| Abbreviation | Meaning |
|---------------|---|
| (→ # 53) | "see page 53" in this document |
| → xyz | "see chapter xyz" in this document |
| Ω | Ohms |
| A#, AXIS# | A# or AXIS# are placeholders for the axis number. Used with parameters or signal names |
| AGND | Analog ground |
| AquadB | In quadrature output, used for incremental encoder emulation |
| AMSL | Above mean sea level |
| Axis | Depends on context, either one AKD2G output stage or one load axis of the full motion system. |
| CAT | Category |
| CE | Communauté Européenne |
| COM | Serial interface for a personal computer |
| DGND | Digital ground |
| EEPROM | Electrically erasable programmable memory |
| EEO | Emulated Encoder Output |
| EMC | Electromagnetic compatibility |
| EMF | Electromagnetic force |
| FS1, FS2, FS3 | Functional Safety Option 1, 2, 3 |
| FSoE | Fail safe over EtherCAT |
| KAS | Kollmorgen Automation Suite |
| KAS IDE | Setup software (Kollmorgen Automation Suite Integrated Development Environment) |
| KDN | Kollmorgen Developer Network |
| LED | Light-emitting diode |
| LSB | Low significant byte (or bit) |
| MSB | Most significant byte (or bit) |
| NI | Zero pulse |
| OSSD | Output Signal Switching Device |
| PE | Protective earth |
| PELV | Protective Extra Low Voltage |
| PLC | Programmable logic control |
| PWM | Pulse-width modulation |
| RAM | Random access memory (volatile memory) |
| RBrake/RB | Regen resistor (also called a brake resistor) |
| RBext | External regen resistor |
| RBint | Internal regen resistor |
| RCD | Residual current device |
| RES | Resolver |
| S1 | Continuous operation |
| tbd | To be determined (in process) |
| VAC | Volts, alternating current |
| VDC | Volts, direct current |

3 Product Safety

| | |
|--|-----------|
| 3.1 You should pay attention to this | 14 |
| 3.2 Use as Directed | 16 |
| 3.3 Prohibited Use | 17 |
| 3.4 Warning note labels | 17 |
| 3.5 Shock-hazard Protection | 18 |
| 3.6 Stop / Emergency Stop / Emergency Off | 19 |

3.1 You should pay attention to this

This section helps to recognize risks and avoid dangers to people and objects.

Specialist staff required!

Only properly qualified personnel are permitted to perform such tasks as transport, installation and setup. Qualified specialist staff are persons with expertise in transport, installation, assembly, commissioning and operation of electrotechnical equipment.

- Transport, storage, unpacking: only by personnel with knowledge of handling electrostatically sensitive components.
- Mechanical installation: only by personnel with mechanical expertise.
- Electrical installation: only by personnel with expertise in electrical engineering.
- Basic tests / setup: only by personnel with expertise in electrical engineering and drive technology.

The qualified personnel must know and observe ISO 12100 / IEC 60364 / IEC 60664 and national accident prevention regulations.

Read the documentation!

Read the available documentation before installation and commissioning. Improper handling of the devices can cause harm to people or damage to property. The operator of systems using the drive system must ensure that all personnel who work with the drive read and understand the manual before using the drive.

Check Hardware Revision!

Check the Hardware Revision Number of the product (see product label). This number is the link between your product and the manual. The product Hardware Revision Number must match the Hardware Revision Number on the cover page of the manual.

Pay attention to the technical data!

Adhere to the technical data and the specifications on connection conditions. If permissible voltage values or current values are exceeded, the devices can be damaged. Unsuitable motor or wrong wiring will damage the system components. Check the combination of drive and motor. Compare the rated voltage and current of the units.

Perform a risk assessment!

The manufacturer of the machine must generate a risk assessment for the machine, and take appropriate measures to ensure that unforeseen movements cannot cause injury or damage to any person or property. Additional requirements on specialist staff may also result from the risk assessment.

Automatic restart

The drive might restart automatically after power on, voltage dip or interruption of the supply voltage, depending on the parameter setting. Risk of death or serious injury for humans working in the machine.

If the parameter `AXIS#.ENDEFAULT` is set to 1, then place a warning sign to the machine (Warning: Automatic Restart at Power On) and ensure, that power on is not possible, while humans are in a dangerous zone of the machine. In case of using an undervoltage protection device, you must observe EN 60204-1:2006 chapter 7.5 .

ATTENTION: The drive is ready to operate with pre-configured STO function.



Observe electrostatically sensitive components!

The devices contain electrostatically sensitive components which may be damaged by incorrect handling. Electrostatically discharge your body before touching the device. Avoid contact with highly insulating materials (artificial fabrics, plastic film etc.). Place the device on a conductive surface.

**Hot surface!**

Drives may have hot surfaces during operation. The housing can reach temperatures above 80°C. Risk of minor burns! Measure the temperature, and wait until the housing has cooled down below 40 °C before touching it.

**Earthing!**

It is vital that you ensure that the drive is safely earthed to the PE (protective earth) busbar in the switch cabinet. Risk of electric shock. Without low-resistance earthing no personal protection can be guaranteed.

Leakage Current!

Since the leakage current to PE is more than 3.5 mA, in compliance with IEC61800-5-1 the PE connection must either be doubled or a connecting cable with a cross-section >10 mm² must be used. Deviating measures according to regional standards might be possible.

**High voltages!**

The equipment produces high electric voltages up to 900 V. Lethal danger exists at live parts of the device. Do not open or touch the equipment during operation. Keep all covers and cabinet doors closed. Built-in protection measures such as insulation or shielding may not be removed. Work on the electrical installation may only be performed by trained and qualified personnel, in compliance with the regulations for safety at work, and only with switched off mains supply, and secured against restart.

Never undo any electrical connections to the drive while it is live. There is a danger of electrical arcing with damage to contacts and personal injury. Wait at least 5 minutes after disconnecting the drive from the main supply power before touching potentially live sections of the equipment (such as contacts) or removing any connections.

Always measure the voltage in the DC bus link and wait until the voltage is below 50 V before handling components.

Functional Safety!

The assessment of the safety functions according to EN13849 or EN 62061 must finally be done by the user.

Reinforced Insulation

Thermal sensors, motor holding brakes and feedback systems built into the connected motor must have reinforced insulation (according to IEC61800-5-1) against system components with power voltage, according to the required application test voltage. All Kollmorgen components meet these requirements.

Never modify the drive!

It is not allowed to modify the drive hardware without permission by the manufacturer. Opening the housing causes loss of warranty.

3.2 Use as Directed

The AKD2G drives are exclusively intended for driving suitable synchronous servomotors with closed-loop control of torque, speed, and/or position.

AKD2G are components that are built into electrical plants or machines and can only be operated as integral components of these plants or machines. The manufacturer of the machine used with a drive must generate a risk assessment for the machine. When the drives are built into machines or plant, the drive must not be used until it has been established that the machine or plant fulfills the requirements of the regional directives.

Cabinet and wiring

Drives must only be operated in a closed control cabinet suitable for the ambient conditions (→ # 31). Ventilation or cooling may be necessary to keep the temperature within the cabinet below 40 °C or 60 °C if using extended range operation with derating.

Use only copper conductors for wiring. The conductor cross-sections can be derived from the standard IEC 60204 (alternatively for AWG cross-sections: NEC Table 310-16, 75 °C column).

Power supply

The drives can be supplied by 1, 2 or 3 phase (TN-S or TT) or DC industrial supply networks.

Drives in the AKD2G series can be supplied as follows:

- AKD2G-Sxx-6Vxx:
1, 2 or 3 phase industrial supply networks (not more than 10 kA symmetrical rated current at 120 V and 240 V) or DC supply.
- AKD2G-Sxx-7Vxx:
3 phase industrial supply networks (not more than 10 kA symmetrical rated current at 240 V, 400 V and 480 V) or DC supply.

Connection to other voltage types of supply networks is possible with an additional isolating transformer.

Repeated overvoltages between phases (L1, L2, L3) and the housing of the drive must not exceed 1000 V peak. In accordance with IEC 61800, voltage spikes (< 50 µs) between phases must not exceed 1000 V. Voltage spikes (< 50 µs) between a phase and the housing must not exceed 2000 V.

Motor voltage rating

The rated voltage of the motors must be at least as high as the DC bus link voltage divided by $\sqrt{2}$ produced by the drive ($U_{nMotor} \geq U_{DC} / \sqrt{2}$).

Functional Safety

NOTICE

Beta drives: Safety functions are neither approved nor certified yet. Do not use this functionality in applications with functional safety request until further notice.

NOTICE

- The network, to which the drive is connected, must be secured according to state-of-the-art information technology security requirements.
- The user IT specialists shall analyze whether further security requirements are applicable to ensure functional safety.

Review the chapter "Use as Directed" in the Functional Safety section (→ # 133) before using safety functionality.

3.3 Prohibited Use

Other use than that described in chapter “Use as directed” is not intended and can lead to personnel injuries and equipment damage. The drive may not be used with a machine that does not comply with appropriate national directives or standards. The use of the drive in the following environments is also prohibited:

- potentially explosive areas
- environments with corrosive and/or electrically conductive acids, alkaline solutions, oils, vapors, dusts
- ships or offshore applications

NOTICE

The drive must not be connected directly to the Internet. If the network, to which the drive is connected, is not secured according to state-of-the-art information technology, this could be a functional safety risk.

3.4 Warning note labels

3.4.1 Notes placed on the product



3.4.2 Adhesive label in the package

NOTICE

Follow the instructions given on the adhesive labels in the package.
If a warning note label is damaged, it must be replaced immediately.

3.5 Shock-hazard Protection

3.5.1 Leakage current

Leakage current via the PE conductor results from the combination of equipment and cable leakage currents. The leakage current frequency pattern includes a number of frequencies, whereby the residual-current circuit breakers definitively evaluate the 50 Hz current. For this reason, the leakage current cannot be measured using a conventional multimeter. Contact our application department for help to calculate the leakage current in your application.

NOTE

Since the leakage current to PE is more than 3.5 mA, in compliance with IEC61800-5-1 the PE connection must either be doubled or a connecting cable with a cross-section >10 mm² must be used. Use the PE terminal and the PE connection screws in order to fulfill this requirement.

The following measures can be used to minimize leakage currents:

- Reduce the length of the engine cable.
- Use low capacitance motor cables (→ # 49).

3.5.2 Residual current protective device (RCD)

In conformity with IEC 60364-4-41 – Regulations for installation and IEC 60204 – Electrical equipment of machinery, residual current protective devices (RCDs) can be used provided the requisite regulations are complied with. The AKD2G is a 3-phase system with a B6 bridge. Therefore, RCDs which are sensitive to all currents must be used in order to detect any DC fault current.

Rated residual currents in the RCDs:

| | |
|---------------------|--|
| 10 to 30 mA | Protection against "indirect contact" (personal fire protection) for stationary and mobile equipment, as well as for "direct contact". |
| 50 to 300 mA | Protection against "indirect contact" (personal fire protection) for stationary equipment |

NOTE

Recommendation: In order to protect against direct contact (with motor cables shorter than 5 m) Kollmorgen recommends that each drive be protected individually using a 30 mA RCD which is sensitive to all currents.

If you use a selective RCD, the more intelligent evaluation process will prevent spurious tripping of the RCD.

3.5.3 Isolating transformers

When protection against indirect contact is absolutely essential despite a higher leakage current, or when an alternative form of shock-hazard protection is sought, the AKD2G can also be operated by using an isolating transformer. A ground-leakage monitor can be used to monitor for short circuits.

NOTE

Keep the length of wiring between the transformer and the drive as short as possible.

3.6 Stop / Emergency Stop / Emergency Off

The control functions Stop, Emergency Stop and Emergency Off are defined by IEC 60204. Notes for functional safety aspects of these functions can be found in ISO 13849 and IEC 62061.

NOTE

The parameter `AXIS#.DISMODE` must be set to implement the different stop categories for software disabling. Consult the *WorkBench Online Help* for configuring the parameter.



WARNING Vertical load could fall!

Serious injury could result when the load is not properly blocked. The internal brake function does not ensure functional safety.

- Functional safety, e.g. with hanging load (vertical axes), requires an additional brake, controlled e.g. from the other axis or externally from a safety controller. The brakes can be mapped to an axis with WorkBench.
- The Hardware Enable does not initiate a controlled stop but switches off the power stage immediately.
- Set parameter `AXIS#.MOTOR.BRAKEIMM` to 1 with vertical axes, to apply the brake immediately after faults or Hardware Disable.
- Risk assessment of the application determines the necessary measures.

3.6.1 Stop

The stop function shuts down the machine in normal operation. The stop function is defined by IEC 60204.

NOTE

The Stop Category must be determined by a risk evaluation of the machine.

Stop function must have priority over assigned start functions. The following stop categories are defined:

Stop Category 0

Shut-down by immediate switching-off the energy supply to the drive machinery (this is an uncontrolled shut-down).

For stop without using safety functions like STO, set `AXIS#.DISMODE` to 0.

The safety function STO stops the drive as required by Stop Category 0 (IEC 62061).

Stop Category 1

A controlled shut-down, whereby the energy supply to the drive machinery is maintained to perform the shut-down, and the energy supply is only interrupted when the shut-down has been completed.

For stop without using safety functions like SS1, set `AXIS#.DISMODE` to 2.

The safety function SS1 stops the drive as required by Stop Category 1 (IEC 62061).

Stop Category 2

A controlled shut-down, whereby the energy supply to the drive machinery is maintained.

This category shall be realized with a safety function like SS2. Safety function SS2 stops the drive as required by Stop Category 2 (IEC 62061).

Stop Category 0 and Stop Category 1 stops must be operable independently of the operating mode, whereby a Category 0 stop must have priority.

If necessary, provision must be made for the connection of protective devices and lock-outs. If applicable, the stop function must signal its status to the control logic. A reset of the stop function must not create a hazardous situation.

3.6.2 Emergency Stop

The Emergency Stop function is used for the fastest possible shutdown of the machine in a dangerous situation. The Emergency Stop function is defined by IEC 60204. Principles of emergency stop devices and functional aspects are defined in ISO 13850.

The Emergency Stop function will be triggered by the manual actions of a single person. It must be fully functional and available at all times. The user must understand instantly how to operate this mechanism (without consulting references or instructions).

NOTE

The Stop Category for the Emergency Stop must be determined by a risk evaluation of the machine.

In addition to the requirements for stop, the Emergency Stop must fulfill the following requirements:

- Emergency Stop must have priority over all other functions and controls in all operating modes.
- The energy supply to any drive machinery that could cause dangerous situations must be switched off as fast as possible, without causing any further hazards (Stop Category 0) or must be controlled in such a way, that any movement that causes danger, is stopped as fast as possible (Stop Category 1).
- The reset must not initiate a restart.

3.6.3 Emergency Off

The Emergency Off function is used to switch-off the electrical power supply of the machine. This is done to prevent users from any risk from electrical energy (for example electrical impact). Functional aspects for Emergency Off are defined in IEC 60364-5-53.

The Emergency Off function will be triggered by the manual actions of a single person.

NOTE

The result of a risk evaluation of the machine determines the necessity for an Emergency Off function.

Emergency Off is done by switching off the supply energy by electro-mechanical switching devices. This results in a category 0 stop. If this stop category is not possible in the application, then the Emergency Off function must be replaced by other measures (for example by protection against direct touching).

4 Product life cycle handling

| | | |
|-----|--|----|
| 4.1 | Transport | 22 |
| 4.2 | Packaging | 22 |
| 4.3 | Storage | 22 |
| 4.4 | Installation, setup and normal operation | 23 |
| 4.5 | Decommissioning | 23 |
| 4.6 | Maintenance and cleaning | 23 |
| 4.7 | Disassembly | 23 |
| 4.8 | System Repair | 24 |
| 4.9 | Disposal | 24 |

4.1 Transport

Transport the AKD2G in accordance with IEC 61800-2 as follows:

- Transport only by qualified personnel in the manufacturer’s original recyclable packaging.
- **NOTICE:** Avoid shocks while transporting.
- Vibration/Shock: AKD2G is tested for environmental class 2M1 of IEC 60721-3-2.
- Store at or below maximum stacking height 8 cartons (see "Storage" (→ # 22))
- Transport only within specified temperature ranges:
-25 to +70 °C, max. rate of change 20 K/hour, class 2K3.
- Transport only within specified humidity:
max. 95% relative humidity at +40°C, no condensation, class 2K3.

NOTICE

The drives contain electrostatically sensitive components that can be damaged by incorrect handling. Electrostatically discharge yourself before touching the drive. Avoid contact with highly insulating materials, such as artificial fabrics and plastic films. Place the drive on a conductive surface.

If the packaging is damaged, check the unit for visible damage. Inform the shipper and the manufacturer of any damage to the package or product.

4.2 Packaging

The AKD2G packaging consists of recyclable cardboard with inserts and a label on the outside of the box.

| Model | Package (mm) HxWxL | Total Weight (kg) |
|------------------------|--------------------|-------------------|
| AKD2G-Sxx-6V03 to 6V12 | 158 x 394 x 292 | 4.2 |
| AKD2G-Sxx-7V03 to 7V12 | 158 x 394 x 292 | 4.3 |

NOTE

Mating connectors are **not** included in the package of a standard drive.

Mating connectors are included when the drive is ordered with accessories (append “-A” to the model number).

4.3 Storage

Store the AKD2G in accordance with IEC 61800-2 as follows:

- Store only in the manufacturer’s original recyclable packaging.
- Store at or below maximum stacking height 8 cartons.
- Store only within specified temperature ranges: -25 to +55 °C, max.rate of change 20 K/hour, class 1K4.
- Storage only within specified humidity: 5 to 95% relative humidity, no condensation, class 1K3.
- Store in accordance with the following duration requirements:
 - Less than 1 year: without restriction.
 - More than 1 year: capacitors must be re-formed before setting up and operating the drive. Re-forming procedures are described in the KDN ([Forming](#)).

4.4 Installation, setup and normal operation

Installation and setup information are given in this manual:

- Mechanical installation (→ # 42)
- Electrical installation (→ # 45)
- Setup (→ # 115)

Normal operation tested for environmental class 3K3 according to IEC 61800-2 (→ # 31). The manufacturer of the machine defines the necessary end user expertise based on the risk assessment for the machine and describes the requirements for normal operation based on the application.

4.5 Decommissioning

NOTICE

Only professional staff who are qualified in electrical engineering are allowed to decommission parts of the system.

DANGER: Lethal Voltages!

There is a danger of serious personal injury or death by electrical shock or electrical arcing.

- Switch off the main switch of the switchgear cabinet.
- Secure the system against restarting.
- Block the main switch.
- Wait at least 5 minutes after disconnecting.

4.6 Maintenance and cleaning

The device does not require maintenance, it should be inspected once a year by professional staff.

NOTICE

Do not immerse or spray the device. Avoid that liquid enters the device. The inside of the unit can only be cleaned by the manufacturer. Opening the device voids the warranty.

To clean the device exterior:

1. Decommission the device (see chapter 4.5 "Decommissioning").
2. Casing: Clean with Isopropanol or similar cleaning solution.
 - Caution** : Highly Flammable! Risk of injury by explosion and fire.
 - Observe the safety notes given on the cleaning liquid package.
 - Wait at least 30 minutes after cleaning before putting the device back into operation.
3. Protective grill on fan: Clean with a dry brush.

4.7 Disassembly

NOTICE

Only professional staff who are qualified in electrical engineering are allowed to disassemble parts of the system.

1. Decommission the device (see chapter 4.5 "Decommissioning").
2. Check temperature.
 - CAUTION**: High Temperature! Risk of minor burns. During operation, the heat sink of the drive may reach temperatures above 80 °C (176 °F). Before touching the device, check the temperature and wait until it has cooled below 40 °C (104 °F).
3. Remove the connectors. Disconnect the potential earth connection last.
4. Demount: loosen the fastening screws. Remove the device.

4.8 System Repair

NOTICE

Only professional staff who are qualified in electrical engineering are allowed to exchange parts of the drive system.

CAUTION: Automatic Start! During replacement work a combination of hazards and multiple episodes may occur.

- Work on the electrical installation may only be performed by trained and qualified personnel, in compliance with the regulations for safety at work, and only with use of prescribed personal safety equipment.

Exchange of the device

Only the manufacturer can repair the device. Opening the device voids the warranty.

1. Decommission the device (see chapter 4.5 "Decommissioning").
2. Demount the device (see chapter 4.7 "Disassembly").
3. Send the device to the manufacturer.
4. Install a new device as described in the Installation Manual.
5. Setup the system as described in the Installation Manual.

Exchange of other drive system parts

If parts of the drive system (for example cables) must be replaced, proceed as follows:

1. Decommission the device (see chapter 4.5 "Decommissioning").
2. Exchange the parts.
3. Check all connections for correct fastening.
4. Setup the system as described in the Installation Manual.

4.9 Disposal

NOTICE

To dispose the unit properly, contact a certified electronic scrap disposal merchant.

In accordance with the WEEE-2012/19/EU guideline and similar, the manufacturer accepts returns of old devices and accessories for professional disposal. Transport costs are the responsibility of the sender.

Contact Kollmorgen and clarify the logistics.

Send the devices in the original packaging to the manufacturer address:

| | |
|--|--|
| North America | South America |
| KOLLMORGEN 201 West Rock Road Radford, VA 24141, USA | KOLLMORGEN Avenida João Paulo Ablas, 2970 Jardim da Glória, Cotia – SP CEP 06711-250, Brazil |
| Europe | Asia |
| KOLLMORGEN Europe GmbH Pempelfurtstr. 1 40880 Ratingen, Germany | KOLLMORGEN Room 302, Building 5, Lihpao Plaza, 88 Shenbin Road, Minhang District, Shanghai, China. |

5 Package

| | |
|-------------------------------------|-----------|
| 5.1 Package Supplied | 26 |
| 5.2 Nameplate | 26 |
| 5.3 Part Number Scheme | 27 |

5.1 Package Supplied

When a standard drive from the AKD2G series is delivered, the following items are included in the drive package:

- AKD2G
- Printed copy of *AKD[®]2G Safety Notes*.
- DVD with WorkBench setup software .
- Panel safety label
- **ATTENTION:** Drive is ready to operate with pre-configured STO function.

NOTE

Mating connectors are **not** included in the package of a standard drive. Mating connectors are included when the drive is ordered with accessories (append “-A” to the model number).

Mating connectors listed below are never delivered with the drive. These mating connectors are usually part of the cables:

- Motor mating connector (X1, X2),
- SubD (X23, X41) for Feedback,
- RJ25 (X13, X14) for CAN Bus, and
- RJ45 (X11, X12, X20) for Service and EtherNet Fieldbus.

Accessories sold separately

Accessories must be ordered separately if required, see regional Accessories Manual.

- EMC filters for mains supply voltage, categories C2 or C3.
- External regen resistor.
- Mating connector kits.
- Motor mating connector.
- Hybrid cable. Assembled hybrid motor cables are available for all regions.
- Motor cable. Assembled motor cables are available for all regions.
- Feedback cable. Assembled feedback cables are available for all regions.
- SFA (Smart Feedback Adapter) .
- SDB Module (Safe Dynamic Brake Module).
- EtherNet service cable.

5.2 Nameplate

A nameplate is attached to the side of the drive. The picture below is similar to the nameplate on the device.

KOLLMORGEN TM Customer Support:
 North America: +1 (540) 633-3400
 Europe: +49 (0) 2102-9394-0
 Italy: +39 (0) 362-594260

201 W. Rock Road
 Radford, VA 24141

Model No: AKD2G-SPE-6V06D-A1F3-0000

Serial No: R2-1900-00000 HW Rev: A

MAC Address: 00-23-1B-00-00-00

| Ratings at 40°C (See manual for ratings >40°C) | | |
|--|--------------|---------------|
| | <u>INPUT</u> | <u>OUTPUT</u> |
| Voltage | 120/240 Vac | 0-240 Vac |
| Frequency | 50/60 Hz | 0-599Hz |
| Phase | 1 Ph/3 Ph | 3 Ph |
| FL Current | 13/9.7 Arms | 6/6 Arms |
| Power @ 240 Vac | 3.1/4.0 KVA | |

Enclosure Protection Rating: IP20

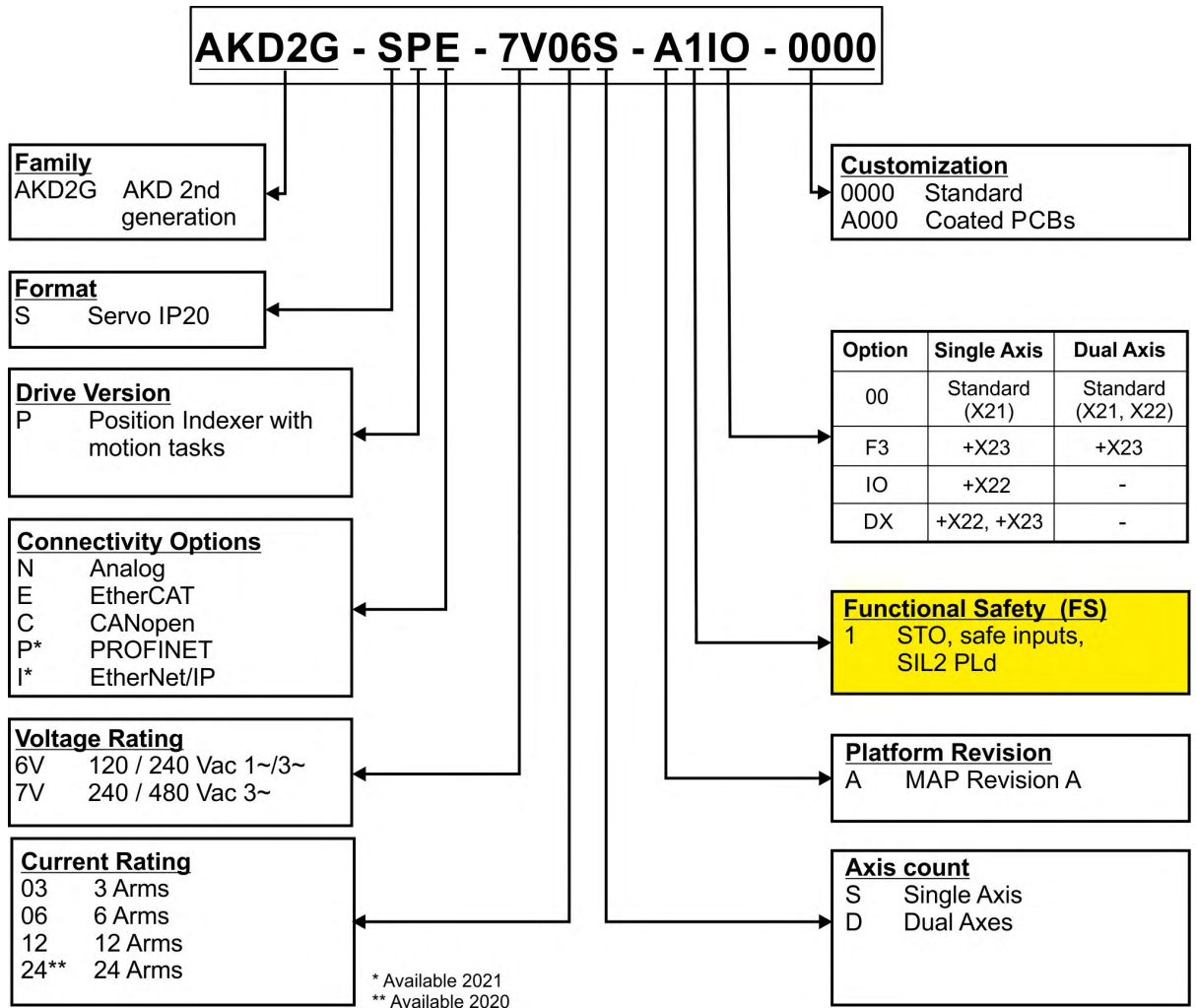
Before use, refer to CD for installation and safety information.
 Assembled in USA www.kollmorgen.com Patents, Patents Pending

5.3 Part Number Scheme

Use the part number scheme for product identification only, not for the order process, because not all combinations of features are possible.

NOTE

- Mating connectors are **not** included in the package of a standard drive.
- Mating connectors are included when the drive is ordered with accessories (append “-A” to the model number).
- Mating connectors X1, X2, RJ25, RJ45, SubD are part of the used cables always.



Example AKD2G-SPE-7V06S-A1IO-0000

AKD2G IP20 housing, position indexer, EtherCAT, 240 V to 480 V mains supply, 6 A rated current, single axis, Platform Revision A, dual channel STO SIL2 PLd, with additional I/O connector X22, uncoated, no mating connectors.

Example AKD2G-SPE-6V03D-A1F3-A000-A

AKD2G IP20 housing, position indexer, EtherCAT, 120 V to 240 V mains supply, 2 x 3 A rated current, dual axis, Platform Revision A, dual channel STO SIL2 PLd, with all possible connectors (X21 + X22 + X23), PCBs coated, with mating connectors.

6 Technical description and data

| | | |
|------------|---|-----------|
| 6.1 | The AKD2G Family of Digital Drives | 29 |
| 6.2 | Ambient Conditions, Ventilation, and Mounting Position | 31 |
| 6.3 | Mechanical Data | 31 |
| 6.4 | Performance Data | 32 |
| 6.5 | Electrical data | 33 |
| 6.6 | Electrical Motor Braking | 37 |
| 6.7 | LCD Display and Push-buttons (B1, B2) | 39 |
| 6.8 | SD Card Slot | 41 |

6.1 The AKD2G Family of Digital Drives

Available AKD2G-SP (Position Indexer) versions

| Connectivity | Rated Voltages | Current | Axis | Rev | Funct. Safety |
|--|---|--|--|----------|------------------------|
| N :- Analog C :- CANopen E :- EtherCAT P *: PROFINET I *: EtherNet/IP | 6V : 120/240VAC 1~ 240VAC 3~ 170/340 VDC 7V : 240/400/480VAC 3~ 340/565/680 VDC | 03 : 3 A 06 : 6 A 12 : 12 A | S :- Single D :- Dual I1=I2 | A | 1 : SIL2 STO |

| Connector Options | |
|--|---|
| Single Axis | Dual Axis |
| 00 : Basis (X21) IO : Basis + X22 F3 : Basis + X23 DX : Basis + X22+X23 | 00 : Basis (X21, X22) F3 : Basis + X23 |

* Available 2021

Standard features

- Single axis or dual axis in one housing
- Supply voltages:
 - DC
 - AC single phase, split phase, three phase AC neutral or leg grounded
 - Single or group supply, single or group mains fusing
- EtherNet Fieldbus on board, TCP/IP service channel and Modbus on board
- SFD3, HIPERFACE DSL motor feedback support on board
- Support for many conventional motor feedback types
- Step / Direction input on board
- Encoder emulation on board
- Use with synchronous servomotors, linear motors, and induction machines

Power section

- Single or three phase AC supply, 5% to 110% of rated AC voltage over 47 to 63 Hz. Connection to higher AC voltage mains only by using isolating transformer.
- DC supply, voltage range 5% to 110% of rated DC voltage. Fusing to be provided by the user.
- Three phase bridge rectifier, integral soft-start circuit.
- DC bus link voltage can be connected in parallel for power sharing.
- Floating current sensors measure actual motor current
- Regenerative circuit with dynamic distribution of the generated power between several drives on the same DC bus link circuit.
- Internal regen resistor for all models, optional external regen resistor if required.

Functional Safety Options

- FS1: STO; SIL2 PLd, command by I/O (→ # 137).

Electrical safety

- Appropriate insulation / creepage distances and electrical isolation for safe electrical separation, per IEC 61800-5-1, between the power input / motor connections and the signal electronics.
- Soft-start, over voltage detection, short-circuit protection, phase-loss detection.
- Temperature monitoring of the drive and motor.
- Electronic motor overload protection: foldback mechanism or optional fault response.

Auxiliary supply voltage 24VDC

- From an external, safety approved 24 V $\pm 10\%$ power supply (PELV).

Parameter setting

- Setup software WorkBench for setup by using TCP/IP.
- Download control parameter packages by using CoE

Full digital control

- Digital current loop (update 1.28 μs / command 62.5 μs)
- Digital velocity loop (update period 62.5 μs)
- Digital position loop (update period 250 μs)

Inputs/Outputs (X21/X22/X23)

- 2 programmable analog input (\rightarrow # 105)
- 2 programmable analog output (\rightarrow # 106)
- 12 programmable digital inputs (\rightarrow # 107)
- 8 programmable digital outputs (\rightarrow # 111)
- 6 programmable digital input/outputs (\rightarrow # 111)
- 4 safe STO inputs (dual channel STO per axis) (\rightarrow # 133)

Connector Options

- **IO:** X22 connector with additional digital inputs and outputs.
- **F3:** X23 connector for conventional motor feedbacks (Resolver, SFD, Tamagawa Smart Abs, Comcoder, 1Vp-p Sin-Cos encoders, incremental encoders, EnDAT 2.1/2.2 and HIPERFACE).
- **DX:** all possible connectors for extended I/O and feedback connections.

Customization

- 0000: uncoated PCBs, standard
0xxx: uncoated PCBs, customized coding
- A000: coated PCBs, standard
Axxx: coated PCBs, customized coding

Connectivity

- Feedback inputs (\rightarrow # 86)
- Encoder emulation output (\rightarrow # 92)
- Digital Inputs/Outputs (\rightarrow # 103)
- Service Interface (\rightarrow # 101)
- Modbus Interface (\rightarrow # 102)
- CANopen (\rightarrow # 98)
- EtherNet Fieldbus interface (\rightarrow # 95)

Accessories

- **SFA** (Smart Feedback Adapter) (\rightarrow # 91).
- Hybrid motor cables, motor power cables, motor feedback cables.
- External regen resistors.

For accessories refer to your regional *Accessories Manual*.

6.2 Ambient Conditions, Ventilation, and Mounting Position

| | |
|---|---|
| Storage, Transport | (→ # 22) |
| Normal operation | Environmental class 3K3 according to IEC 61800-2 |
| Surrounding temperature in operation | <p>Internal regen resistor used:</p> <ul style="list-style-type: none"> ● 0 to +40 °C under rated conditions ● +40 to +60 °C with output current derating 3 % per Kelvin <p>Internal regen resistor not used:</p> <ul style="list-style-type: none"> ● 0 to +50 °C under rated conditions ● +50 to +60 °C with output current derating 2 % per Kelvin |
| Humidity in operation | Relative humidity 5 to 85%, no condensation, IEC 61800-2 class 3K3 |
| Site altitude | <ul style="list-style-type: none"> ● Up to 1,000 m AMSL (above mean sea level): no restriction ● 1,000 to 2,000 m AMSL: power derating 1.5%/100 m ● Maximum altitude: 2,000 m AMSL |
| Pollution level | Pollution level 2 as per IEC 60664-1 |
| Vibration | Class 3M1 according to IEC 61800-2 |
| Shock | Class L according to IEC 61800-2 |
| Drive protection | IP 20 according to IEC 60529 |
| Drive EMC immunity | Increased immunity according to EN 61800-5-2 |
| Mounting | Vertical position, in a cabinet with protection of at least IP 54 Minimum cabinet size (WxHxD): 406 x 406 x 254 mm |
| Ventilation | Built-in fan in all drive variants |
| NOTICE | The drive shuts down in case of excessively high temperature in the control cabinet. Make sure sufficient forced ventilation is supplied within the control cabinet. |

6.3 Mechanical Data

| | Units | AKD2G-Sxx- | | | |
|----------------------------|-------|---------------------------|-----------------|-----------------|---------------------------|
| | | 6V03S, 6V06S, 6V12S | 6V03D, 6V06D | 7V03S, 7V06S | 7V03D, 7V06D, 7V12S |
| Weight | kg | 2.4 | 2.5 | 2.5 | 2.7 |
| Width | mm | 76 | 76 | 75 | 75 |
| Height, without connectors | mm | 235 | 235 | 272 | 272 |
| Height, with connectors | mm | 303 | 303 | 340 | 340 |
| Depth, without connectors | mm | 221 | 221 | 221 | 221 |
| Depth, with connectors | mm | 232 | 232 | 232 | 232 |

NOTE

Dimension Drawing see section Mechanical Installation (→ # 42).

6.4 Performance Data

| Performance Data | Units | AKD2G-Sxx- | | | |
|---|-------|-----------------------------|------------------|-------|-------|
| | | 6V03S/D 6V06S/D 6V12S | 7V03S/D 7V06S | 7V06D | 7V12S |
| Normal PWM Switching Frequency (dynamic) | kHz | 15 | 11 | 9.8 | 9.8 |
| High Load PWM Switching Frequency (dynamic) | kHz | 10.3 | 8.1 | 6.5 | 5.9 |
| High Load Stalled PWM Switching Frequency (dynamic) | kHz | 5.2 | 4.1 | 3.5 | 3.5 |
| Voltage rise speed dU/dt | kV/μs | 7.0 | 7.0 | 7.0 | 7.0 |
| Current Loop Update Period | μs | 1.28* | 1.28* | 1.28* | 1.28* |
| Velocity Loop Update Period | μs | 62.5 | 62.5 | 62.5 | 62.5 |
| Position Loop Update Period | μs | 250 | 250 | 250 | 250 |
| Current Loop Bandwidth | Hz | 3000 | 3000 | 3000 | 3000 |
| Velocity Loop Bandwidth | Hz | 750 | 750 | 750 | 750 |
| Position Loop Bandwidth | Hz | 350 | 350 | 350 | 350 |
| Max. motor electrical frequency | Hz | 599 | 599 | 599 | 599 |

* Control updates every 1.28 μs. Current command is updated every 62.5 μs.

6.5 Electrical data

6.5.1 Single axis variants (S)

6.5.1.1 Mains supply data, 1 phase AC, type AKD2G-Sxx- (S)

| Input data | Units | 6V03S | 6V06S | 6V12S |
|--|-------|-----------|-------|-------|
| Operational supply voltage (line-line) | VAC | 12 to 265 | | |
| Rated supply voltage | VAC | 240 | | |
| Rated supply input frequency ($\pm 5\%$) | Hz | 50 to 60 | | |
| Permitted switch on/off frequency | 1/h | 30 | | |
| Rated input VA at 240 V | kVA | 1.0 | 1.7 | 3.1 |
| Rated input current | A | 4.0 | 7.1 | 13 |
| Max. inrush current | A | 10 | | |
| Rated DC bus link voltage | VDC | 300 | | |

6.5.1.2 Mains supply data, 3 phase AC, type AKD2G-Sxx- (S)

| Input data | Units | 6V03S | 6V06S | 6V12S | 7V03S | 7V06S | 7V12S |
|--|-------|-----------|-------|-------|-----------|-------|-------|
| Operational supply voltage (L1/L2/L3) | VAC | 12 to 265 | | | 24 to 525 | | |
| Rated supply voltage | VAC | 240 | | | 480 | | |
| Rated supply input frequency ($\pm 5\%$) | Hz | 50 to 60 | | | | | |
| Permitted switch on/off frequency | 1/h | 30 | | | | | |
| Rated input VA at 240 V (* at 480 V) | kVA | 1.3 | 2.2 | 4.0 | 2.7* | 4.4* | 7.2* |
| Rated input current | A | 3.2 | 5.3 | 9.7 | 3.2 | 5.3 | 8.7 |
| Max. inrush current | A | 10 | | | | | |
| Rated DC bus link voltage | VDC | 310 | | | 620 | | |

6.5.1.3 Mains supply data, DC, type AKD2G-Sxx- (S)

| Input data | Units | 6V03S | 6V06S | 6V12S | 7V03S | 7V06S | 7V12S |
|---|-------|-----------|-------|-------|-----------|-------|-------|
| Operational supply voltage (DC+/DC-) | VDC | 17 to 370 | | | 34 to 740 | | |
| Rated supply voltage | VDC | 340 | | | 680 | | |
| Permitted switch on/off frequency | 1/h | 30 | | | | | |
| Rated input power at 340 V (* at 680 V) | kW | 0.62 | 1.25 | 2.5 | 1.25* | 2.5* | 5.0* |
| Rated input current | A | 2.0 | 4.0 | 8.0 | 2.0 | 4.0 | 8.0 |
| Max. inrush current through AC input | A | 10 | | | | | |
| Rated DC bus link voltage | VDC | 340 | | | 680 | | |

6.5.1.4 Auxiliary voltage input data, 24VDC, type AKD2G-Sxx- (S)

| Input data | Units | 6V03S | 6V06S | 6V12S | 7V03S | 7V06S | 7V12S |
|--|-------|---|-------|-------|-------|-------|-------|
| Aux. voltage supply (PELV) | VDC | 24 V ($\pm 10\%$, check voltage drop) | | | | | |
| - control current without motor brake | A | < 1.0 | | | | | |
| - control current with one motor brake | A | < 3.1 | | | | | |

6.5.1.5 Output data, type AKD2G-Sxx- (S)

| | Units | 6V03S | 6V06S | 6V12S | 7V03S | 7V06S | 7V12S |
|---|----------|-------------------------------------|-------|-------|-------|-------|-------|
| Continuous output current (± 3%) | Arms | 3 | 6 | 12 | 3 | 6 | 12 |
| Peak output current (for 5s, ±3%) | Arms | 9 | 18 | 30 | 9 | 18 | 30 |
| Continuous motor shaft output power at rated input current | | | | | | | |
| at 1 x 120 VAC | kW | 0.22 | 0.44 | 0.875 | - | - | - |
| at 1 x 240 VAC | kW | 0.44 | 0.875 | 1.8 | - | - | - |
| at 3 x 120 VAC | kW | 0.31 | 0.625 | 1.25 | - | - | - |
| at 3 x 240 VAC | kW | 0.625 | 1.25 | 2.5 | 0.625 | 1.25 | 2.5 |
| at 3 x 400 VAC | kW | - | - | - | 1.05 | 2.1 | 4.2 |
| at 3 x 480 VAC | kW | - | - | - | 1.25 | 2.5 | 5.0 |
| at 170 VDC | kW | 0.31 | 0.625 | 1.25 | - | - | - |
| at 340 VDC | kW | 0.625 | 1.25 | 2.5 | 0.625 | 1.25 | 2.5 |
| at 565 VDC | kW | - | - | - | 1.05 | 2.1 | 4.2 |
| at 680 VDC | kW | - | - | - | 1.25 | 2.5 | 5.0 |
| Peak output power (for 1 s) | | | | | | | |
| at 1 x 120 VAC | kW | 1.1 | 2.1 | 4.1 | - | - | - |
| at 1 x 240 VAC | kW | 2.1 | 4.2 | 6.3 | - | - | - |
| at 3 x 120 VAC | kW | 1.5 | 3 | 4.5 | - | - | - |
| at 3 x 240 VAC | kW | 3.0 | 6.0 | 9.0 | 3.0 | 6.0 | 10 |
| at 3 x 400 VAC | kW | - | - | - | 5.0 | 10 | 16.5 |
| at 3 x 480 VAC | kW | - | - | - | 6.0 | 12 | 20 |
| at 170 VDC | kW | 1.5 | 3 | 4.5 | - | - | - |
| at 340 VDC | kW | 3.0 | 6.0 | 9.0 | 3.0 | 6.0 | 10 |
| at 565 VDC | kW | - | - | - | 5.0 | 10 | 16.5 |
| at 680 VDC | kW | - | - | - | 6.0 | 12 | 20 |
| Noise emission at 1 m, low/high speed fan | dB(A) | < 50 / 60 | | | | | |
| Thermal dissipation, disabled | W | 12 | 12 | 12 | 12 | 12 | 12 |
| Thermal dissipation at rated current | W | 50 | 80 | 140 | 65 | 105 | 210 |
| Motor inductance | | | | | | | |
| minimum at 120 VAC | mH | 1.2 | 0.6 | 0.3 | - | - | - |
| minimum at 240 VAC | mH | 2.4 | 1.2 | 0.6 | 3.1 | 1.5 | 1.1 |
| minimum at 400 VAC | mH | - | - | - | 5.1 | 2.6 | 1.8 |
| minimum at 480 VAC | mH | - | - | - | 6.1 | 3.1 | 2.1 |
| maximum | mH | 240 | 120 | 60 | 610 | 310 | 210 |
| Regeneration Braking | (→ # 37) | | | | | | |
| Brake output | | | | | | | |
| Voltage (±10%) | VDC | 24 | | | | | |
| Voltage power saving | VDC | 12 to 24 | | | | | |
| Output under current fault | mA | 100 (required for fault detection) | | | | | |
| Output over current fault | A | 2.25 (required for fault detection) | | | | | |
| Output current, maximum | A | 2.1 | | | | | |

6.5.2 Dual axis variants (D: I1=I2)

6.5.2.1 Mains supply data, 1 phase AC, type AKD2G-Sxx- (D)

| Input data | Units | 6V03D | 6V06D |
|--|-------|-----------|-------|
| Operational supply voltage (line-line) | VAC | 12 to 265 | |
| Rated supply voltage | VAC | 240 | |
| Rated supply input frequency ($\pm 5\%$) | Hz | 50 to 60 | |
| Permitted switch on/off frequency | 1/h | 30 | |
| Rated input VA at 240 V | kVA | 1.7 | 3.1 |
| Rated input current | A | 7.2 | 13 |
| Max. inrush current | A | 10 | |
| Rated DC bus link voltage | VDC | 300 | |

6.5.2.2 Mains supply data, 3 phase AC, type AKD2G-Sxx- (D)

| Input data | Units | 6V03D | 6V06D | 7V03D | 7V06D |
|--|-------|-----------|-------|-----------|-------|
| Operational supply voltage (L1/L2/L3) | VAC | 12 to 265 | | 24 to 525 | |
| Rated supply voltage | VAC | 240 | | 480 | |
| Rated supply input frequency ($\pm 5\%$) | Hz | 50 to 60 | | | |
| Permitted switch on/off frequency | 1/h | 30 | | | |
| Rated input VA at 240 V (* at 480 V) | kVA | 2.2 | 4.0 | 4.4* | 7.2* |
| Rated input current | A | 5.3 | 9.7 | 5.3 | 8.7 |
| Max. inrush current (at 240 V/480 V, 20°C) | A | 10 | | | |
| Rated DC bus link voltage | VDC | 310 | | 620 | |

6.5.2.3 Mains supply data, DC, type AKD2G-Sxx- (D)

| Input data | Units | 6V03D | 6V06D | 7V03D | 7V06D |
|---|-------|-----------|-------|-----------|-------|
| Operational supply voltage (DC+/DC-) | VDC | 17 to 370 | | 34 to 740 | |
| Rated supply voltage | VDC | 340 | | 680 | |
| Permitted switch on/off frequency | 1/h | 30 | | | |
| Rated input power at 340 V (* at 680 V) | kW | 1.25 | 2.5 | 2.5* | 5* |
| Rated input current | A | 4 | 8 | 4 | 8 |
| Max. inrush current through AC input | A | 10 | | | |
| Rated DC bus link voltage | VDC | 340 | | 680 | |

6.5.2.4 Auxiliary voltage input data, 24VDC, type AKD2G-Sxx- (D)

| Input data | Units | 6V03D | 6V06D | 7V03D | 7V06D |
|---|-------|---|-------|-------|-------|
| Aux. voltage supply (PELV) | VDC | 24 V ($\pm 10\%$, check voltage drop) | | | |
| - current without motor brake | A | <1 | | | |
| - control current with one motor brake | A | <3.1 | | | |
| - control current with two motor brakes | A | <5.2 | | | |

6.5.2.5 Output data, type AKD2G-Sxx- (D)

Drive current and power output values are listed for Axis1/Axis2.

| | Units | 6V03D | 6V06D | 7V03D | 7V06D |
|---|-------|-------------------------------------|-------------|-------------|-----------|
| Continuous output current (± 3%) | Arms | 3/3 | 6/6 | 3/3 | 6/6 |
| Peak output current (for 5s, ±3%) | Arms | 9/9 | 18/18 | 9/9 | 18/18 |
| Continuous motor shaft output power at rated input current | | | | | |
| at 1 x 120 VAC | kW | 0.22/0.22 | 0.44/0.44 | - | - |
| at 1 x 240 VAC | kW | 0.44/0.44 | 0.875/0.875 | - | - |
| at 3 x 120 VAC | kW | 0.31/0.31 | 0.625/0.625 | - | - |
| at 3 x 240 VAC | kW | 0.625/0.625 | 1.25/1.25 | 0.625/0.625 | 1.25/1.25 |
| at 3 x 400 VAC | kW | - | - | 1.05/1.05 | 2.1/2.1 |
| at 3 x 480 VAC | kW | - | - | 1.25/1.25 | 2.5/2.5 |
| at 170 VDC | kW | 0.31/0.31 | 0.625/0.625 | - | - |
| at 340 VDC | kW | 0.625/0.625 | 1.25/1.25 | 0.625/0.625 | 1.25/1.25 |
| at 565 VDC | kW | - | - | 1.05/1.05 | 2.1/2.1 |
| at 680 VDC | kW | - | - | 1.25/1.25 | 2.5/2.5 |
| Peak output power (for 1 s) | | | | | |
| at 1 x 120 VAC | kW | 1.1/1.1 | 2.1/2.1 | - | - |
| at 1 x 240 VAC | kW | 2.1/2.1 | 4.2/4.2 | - | - |
| at 3 x 120 VAC | kW | 1.5/1.5 | 3.0/3.0 | - | - |
| at 3 x 240 VAC | kW | 3.0/3.0 | 6.0/6.0 | 3.0/3.0 | 6.0/6.0 |
| at 3 x 400 VAC | kW | - | - | 5.0/5.0 | 10/10 |
| at 3 x 480 VAC | kW | - | - | 6.0/6.0 | 12/12 |
| at 170 VDC | kW | 1.5/1.5 | 3.0/3.0 | - | - |
| at 340 VDC | kW | 3.0/3.0 | 6.0/6.0 | 3.0/3.0 | 6.0/6.0 |
| at 565 VDC | kW | - | - | 5.0/5.0 | 10/10 |
| at 680 VDC | kW | - | - | 6.0/6.0 | 12/12 |
| Noise emission at 1 m, low/high speed fan | dB(A) | < 50 / 60 | | | |
| Thermal dissipation, disabled | W | 15 | 15 | 15 | 15 |
| Thermal dissipation at rated current | W | 90 | 150 | 120 | 210 |
| Motor inductance | | | | | |
| minimum at 120 VAC | mH | 1.2/1.2 | 0.6/0.6 | - | - |
| minimum at 240 VAC | mH | 2.4/2.4 | 1.2/1.2 | 3.1/3.1 | 1.9/1.9 |
| minimum at 400 VAC | mH | - | - | 5.1/5.1 | 3.2/3.2 |
| minimum at 480 VAC | mH | - | - | 6.1/6.1 | 3.8/3.8 |
| maximum | mH | 240/240 | 120/120 | 610/610 | 380/380 |
| Regeneration Braking | | (→ # 37) | | | |
| Brake output | | | | | |
| Voltage (±10%) | VDC | 24 | | | |
| Voltage power saving | VDC | 12 to 24 | | | |
| Output under current fault | mA | 100 (required for fault detection) | | | |
| Output over current fault | A | 2.25 (required for fault detection) | | | |
| Output current, maximum | A | 2.1 per brake | | | |

6.6 Electrical Motor Braking

6.6.1 Drive Dynamic Braking

Drive Dynamic braking is a method to slow down a servo system by dissipating the mechanical energy driven by the motor back EMF.

NOTE

Drive dynamic braking is not functional safe.

The AKD2G has a built in advanced drive dynamic braking mode which operates fully in hardware. When activated, the drive powers the motor terminals with voltages to maximize the stopping force per amount of motor current. This advanced method forces all of the dynamic braking current to be stopping current and insures the fastest stopping per ampere of motor terminal current.

- When current is not being limited, the mechanical energy is being dissipated in the motor winding resistance.
- When current is being limited, energy is returned to the drive bus capacitors.
- The drive also limits the maximum dynamic braking motor terminal current by using the *AXIS#.DBLIMIT* parameter to insure that the drive, motor, and customer load do not see excessive currents/forces.

Whether and how the AKD2G uses dynamic drive braking depends on (*AXIS#.DISMODE*).

6.6.2 Regeneration braking

When the amount of returned energy from the motor builds the bus capacitor voltage up enough the drive activates the regenerative braking circuit to start dumping the returned energy in the regen resistor (also called regenerative resistor or brake resistor). All AKD2G offer internal resistor plus the ability to connect an external resistor depending on the application requirements.

NOTE

External regen resistors are described in the regional *Accessories Manual*.

6.6.2.1 Functional description

1. Individual drives, not coupled through the DC bus link circuit (+DC, -DC)

When the energy fed back from the motor has an average or peak power that exceeds the pre-set level for the brake power rating, the drive generates the warning "W2010 Regen Energy Critical". If the power exceeds the set fault level, the regenerative circuit will switch off and the drive will disable.

2. Several drives coupled through the DC bus link (+DC, -DC)

Using the built-in regenerative circuit, several drives of the same series can be operated from a common DC-bus link (→ # 76), without any additional measures. 90% of the combined power of all the coupled drives is always available for peak and continuous power. If the power of the drive with the lowest switch-off threshold (resulting from tolerances) exceeds the set fault level, the regenerative circuit will switch off on that drive.

Switch-off on over voltage: With the regenerative circuit switched off, the returned energy is not dissipated and therefore the DC-bus link level increases. The drive reports an over-voltage fault if the DC-bus voltage threshold is exceeded. When this happens, the drive power stage is immediately disabled and the load coasts to a stop with the fault message "F2006 Bus Over voltage".

The ready to operate contact (terminals X21/B5-B6) is opened (→ # 114).

NOTE

Observe the regeneration time (some minutes) after full load with peak brake power.

6.6.2.2 Technical data for AKD2G-Sxx-6V

Technical data for the regenerative circuit depends on the drive type and the mains voltage. Supply voltages, capacitance, and switch-on voltages are all nominal values.

| Brake circuit | | AC Supply | |
|----------------------------|--|---------------|-------------|
| AKD2G-Sxx- | Rated data | Units | 120V / 240V |
| 6Vxxy all types | Regen start voltage at rated supply voltage | V | 380 |
| | Overvoltage limit | V | 420 |
| | Maximum regenerative duty cycle | % | 35* |
| | Internal regen resistor | Ω | 15 |
| | Continuous power, internal resistor | W | 100 |
| | Peak brake power, internal resistor (0.5s) | kW | 3 / 9 |
| | External regen resistor (recommended 15 Ω) | Ω | >10 |
| | Continuous brake power, external resistor | kW | 3 |
| | Peak brake power, external (1s) | kW | 5 / 14 |
| 6V03S, 6V06S | Absorption energy in capacitors ($\pm 20\%$) | Ws | 6 / 23 |
| | DC Bus Capacitance | μF | 1640 |
| 6V12S, 6V03D, 6V06D | Absorption energy in capacitors ($\pm 20\%$) | Ws | 9 / 35 |
| | DC Bus Capacitance | μF | 2460 |

* depends on connected regen resistor power.

6.6.2.3 Technical data for AKD2G-Sxx-7V

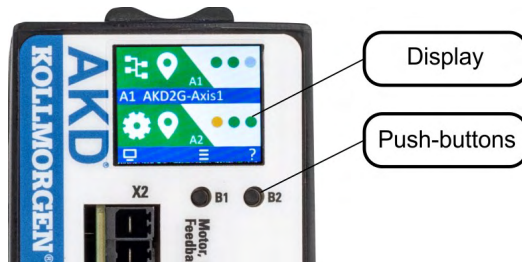
Technical data for the regenerative circuit depends on the drive type and the mains voltage. Supply voltages, capacitance, and switch-on voltages are all nominal values.

| Brake circuit | | AC Supply | | |
|--|--|---------------|------|-----------|
| AKD2G-Sxx- | Rated data | Units | 240V | 400V/480V |
| 7V03S, 7V06S, 7V12S, 7V03D, 7V06D | Regen start voltage at rated supply voltage | V | 380 | 633 / 760 |
| | Overvoltage limit | V | 420 | 840 |
| | Maximum regenerative duty cycle | % | 35* | |
| | Internal regen resistor | Ω | 33 | |
| | Continuous power, internal resistor | W | 100 | |
| | Peak brake power, internal resistor (0.5s) | kW | 4 | 17 |
| | External regen resistor (recommended 33 Ω) | Ω | >25 | |
| | Continuous brake power, external resistor | kW | 2 | 6 |
| | Peak brake power, external (1s) | kW | 6 | 24 |
| 7V03S, 7V06S | Absorption energy in capacitors ($\pm 20\%$) | Ws | 3 | 30 / 18 |
| | DC Bus Capacitance | μF | 235 | |
| 7V12S, 7V03D, 7V06D | Absorption energy in capacitors ($\pm 20\%$) | Ws | 6 | 50 / 35 |
| | DC Bus Capacitance | μF | 470 | |

* depends on connected regen resistor power.

6.7 LCD Display and Push-buttons (B1, B2)

The drive offers an LCD display and two push-buttons B1 / B2 for navigation.



Push-button actions

A short button press invokes the action corresponding to the symbol directly above the button. On the dashboard for example,

- a short press on B1 causes the menu system to appear, and
- a short press on B2 causes a help screen to appear.
- A long press (greater than 2 seconds) on B2 returns the display to the previous screen.

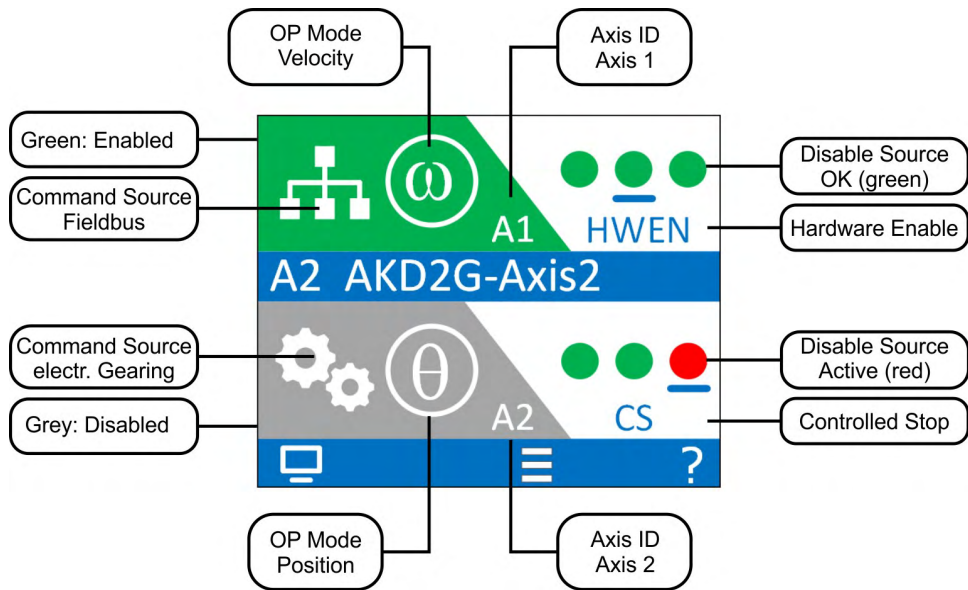
| More B1 / B2 Functions | Description |
|---------------------------------|--|
| Boot from SD card | Push both buttons during power up to boot with data from SD card. Press the buttons first, then hold it down while turning on the 24 V power supply. |
| Boot from flash fall-back image | Remove the SD card, then press both buttons and hold them down while turning on the 24 V power supply to boot from an on-board recovery image. The fallback image includes a set of bootloader, operational, and control FPGA that implements sufficient programming support to update missing or corrupt files. |

LCD display

- Left Colored section
 - Color: axis status (enabled, disabled, or faulted).
 - First icon: axis command source (analog, service, electronic gearing, or fieldbus).
 - Second icon: axis operation mode (torque, velocity, or position).
 - Axis ID: A1 or A2.
- Right Non-colored section:
 - No Fault/Warning: three virtual LEDs corresponding to axis disable sources (Safe Torque Off, Hardware Enable, and Controlled Stop).
 - Faults or warnings: fault or warning code.
- Center blue bar:
 - Drive and axis names
 - IP address
 - Drive model number
 - Firmware version
- Bottom blue bar:
 - indicates whether the service port is connected to WorkBench, and
 - shows the actions that will be invoked by pushing the B1 / B2 buttons.

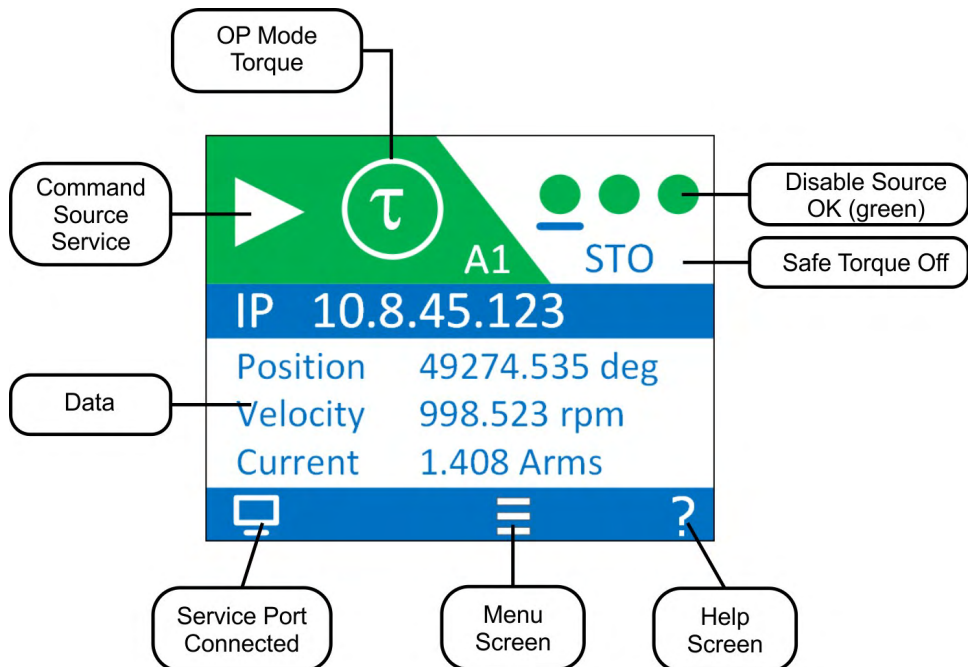
Dual axes LCD display

For dual-axis drives, the top section shows axis 1 information, the bottom section those for axis 2.



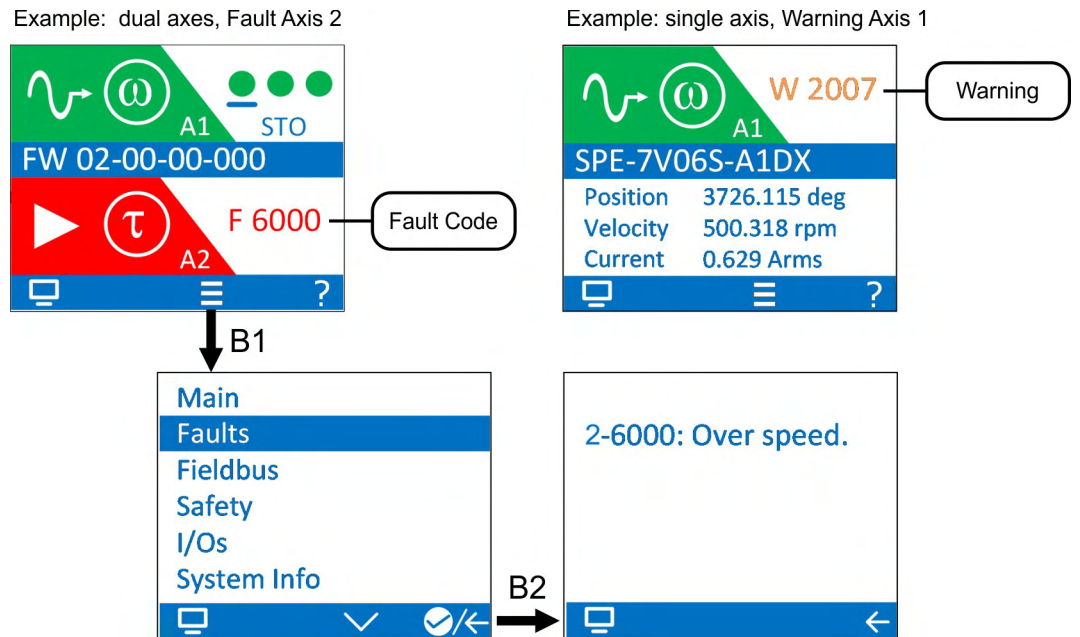
Single axis LCD display

For single axis drives, the top section shows axis 1 information while the section between the center and bottom bars is a data area where some important actual values of the axis are visible: position, velocity, current.



Faults and Warnings

The display shows the code of the fault or warning that occurred. If a fault occurs, the color of the left section switches to red. Navigate with B1 / B2 to the Fault screen to see a short description of the fault or warning.



See WorkBench Onlinehelp for more details.

6.8 SD Card Slot



AKD2G offer a SD card slot

- to boot the drive with data from the SD Memory card

These features can be started from the drive display using push-buttons B1/B2.

Supported SD card types

SD cards are formatted by the manufacturer. The following table outlines the SD card types and AKD2G support.

| SD Type | File System | Capacity | Supported |
|-----------|-------------------|--------------|------------|
| SD (SDSC) | FAT16 | 1MB to 2GB | YES |
| SDHC | FAT32 | 4GB to 32GB | YES |
| SDXC | exFAT (Microsoft) | >32GB to 2TB | NO |

Features

- **Boot AKD2G with data from SD card:**
Remove 24V. Apply 24V with buttons B1 and B2 pressed. Release buttons after the display is updated.

7 Mechanical Installation

| | |
|---|-----------|
| 7.1 Important Notes | 43 |
| 7.2 Guide to Mechanical Installation | 43 |
| 7.3 Dimensions | 44 |

7.1 Important Notes



CAUTION High EMC Voltage Level!

Risk of electrical shock, if the servo amplifier (or the motor) is not properly EMC-grounded.

- Do not use painted (i.e. non-conductive) mounting plates.
- In unfavourable circumstances, use copper mesh tape between the earthing bolts and earth potential to deflect currents.

NOTICE

Protect the drive from impermissible stresses. In particular, do not let any components become bent or any insulation distances altered during transport and handling. Avoid contact with electronic components and contacts.

NOTICE

The drive will switch itself off in case of overheating. Ensure that there is an adequate flow of cool, filtered air into the bottom of the control cabinet, or use a heat exchanger (→ # 31).

NOTICE

Do not mount devices that produce magnetic fields directly beside the drive. Strong magnetic fields can directly affect internal components. Install devices which produce magnetic field with distance to the drives and/or shield the magnetic fields.

7.2 Guide to Mechanical Installation

The following tools are required (at a minimum) to install the AKD2G; your specific installation may require additional tools:

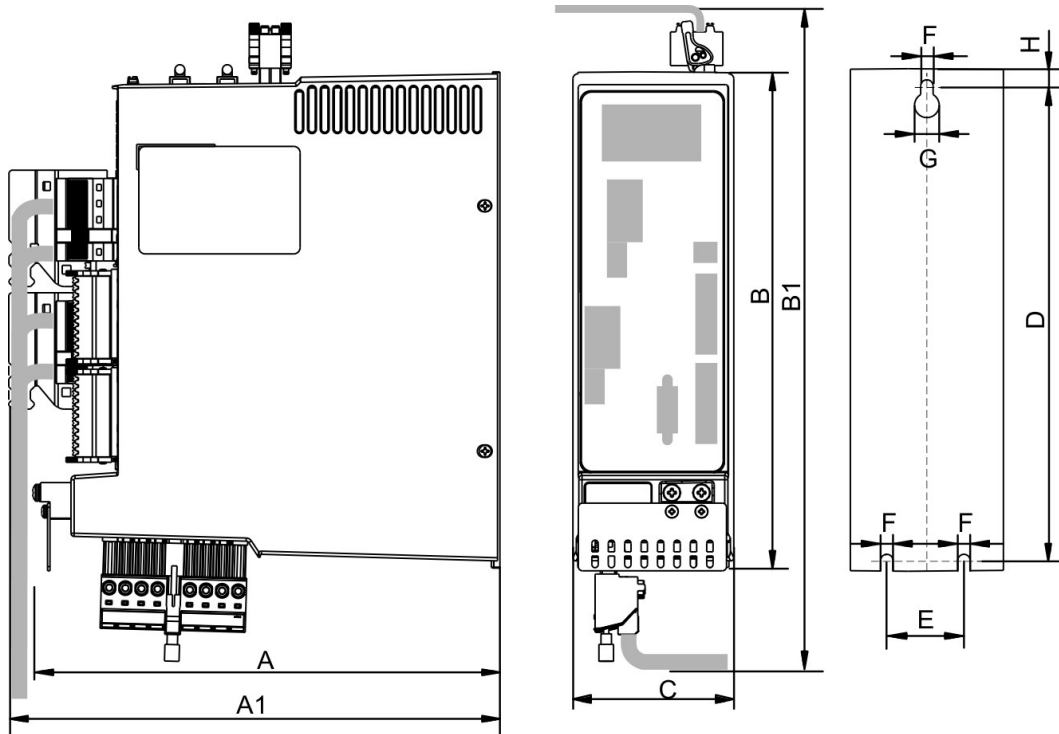
- M5 hexagon socket-cap screws (ISO 4762)
- 4 mm hexagon ball head screwdriver
- No. 2 Phillips head screwdriver
- Small slotted screwdriver

Install the drive unit as follows:

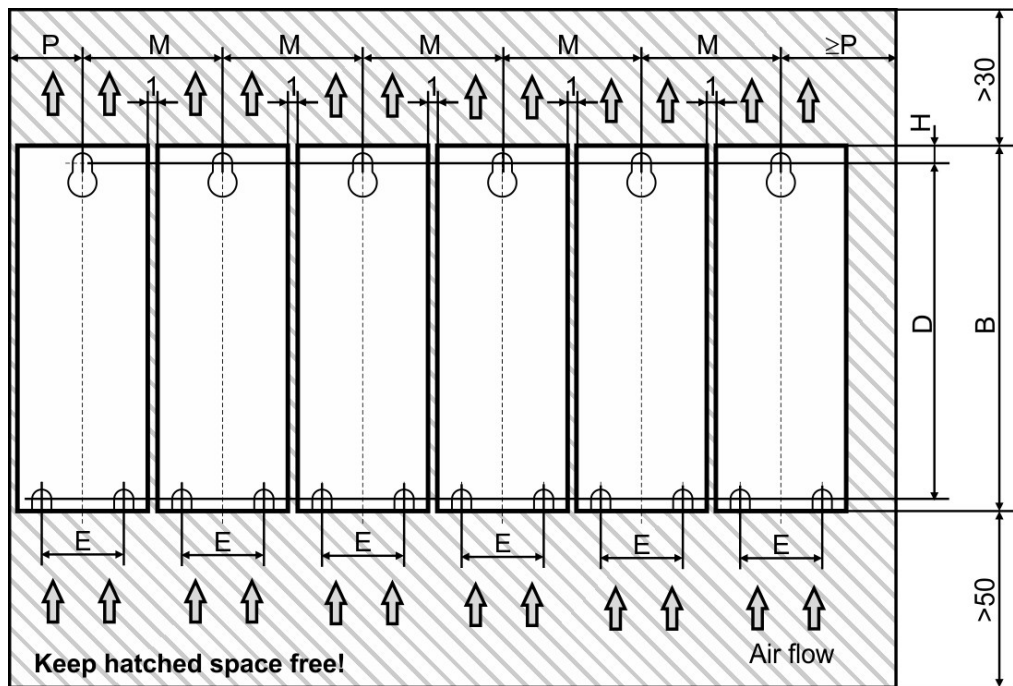
1. Prepare the site.
Mount the drive in a closed control cabinet (ambient conditions (→ # 31)). The site must be free from conductive or corrosive materials. For the mounting position in the cabinet (→ # 44).
2. Check ventilation.
Check that the ventilation of the drive is unimpeded, and keep within the permitted ambient temperature (→ # 31). Keep the required space clearance above and below the drive (→ # 44).
3. Check the cooling system.
If cooling systems are used for the control cabinet, position the cooling system so that condensation water cannot drip onto the drive or peripheral devices.
4. Mount the drive.
Assemble the drive and power supply near each other on the conductive, grounded mounting plate in the cabinet.
5. Ground the drive.
For EMC-compliant shielding and grounding, (→ # 52). Ground the mounting plate, motor housing and CNC-GND of the control system.

7.3 Dimensions

NOTE Mounting: 3 x M5 hexagon socket screws to ISO 4762, 4 mm hexagon ball head screwdriver



NOTE Outline width and height dimensions are measured on footprint level (mounting plate). Dimensions on the front plate are slightly smaller. All dimensions in mm.



| Dimensions in mm | A | A1 | B | B1 | C | D | E | F | G | H | M | P |
|--------------------------|-----|-----|-----|-----|----|-------|----|-----|------|---|----|----|
| AKD2G-Sxx-6V (3 to 12 A) | 221 | 232 | 235 | 303 | 76 | 221,5 | 36 | 5,8 | 11,5 | 7 | 78 | 40 |
| AKD2G-Sxx-7V (3 to 12 A) | 221 | 232 | 272 | 340 | 75 | 259 | 36 | 5,8 | 11,5 | 6 | 78 | 40 |

8 Electrical Installation

| | | |
|-------------|---|------------|
| 8.1 | Important Notes | 46 |
| 8.2 | Guide to electrical installation | 47 |
| 8.3 | Wiring | 48 |
| 8.4 | EMI Noise Reduction | 52 |
| 8.5 | Connection Overview | 57 |
| 8.6 | Power and Logic Voltage Supply (X3/X10) | 67 |
| 8.7 | DC Bus link (X3) | 76 |
| 8.8 | Regen resistor (X3) | 78 |
| 8.9 | Motor Power, Brake and Feedback connection | 79 |
| 8.10 | EEO, Electronic Gearing, Master-Slave | 92 |
| 8.11 | EtherNet Fieldbus Interface (X11/X12) | 95 |
| 8.12 | CAN-Bus Interface (X13/X14) | 98 |
| 8.13 | Service Interface (X20) | 101 |
| 8.14 | Modbus TCP (X20) | 102 |
| 8.15 | I/O Connection (X21/X22/X23) | 103 |

8.1 Important Notes

NOTICE

Only professional staff who are qualified in electrical engineering are allowed to install the drive. Wires with color green with one or more yellow stripes must not be used other than for protective earth (PE) wiring.



⚠ DANGER High Voltage up to 900 V!

There is a danger of serious personal injury or death by electrical shock or electrical arcing. Capacitors can still have dangerous voltages present up to 5 minutes after switching off the supply power. Control and power connections can still be live, even if the motor is not rotating.

- Only install and wire the equipment when it is not live.
- Make sure that the cabinet is safely disconnected (for instance, with a lock-out and warning signs).
- Never remove electrical connections to the drive while it is live.
- Wait at least 5 minutes after disconnecting the drive from the main supply power before touching potentially live sections of the equipment (e.g. contacts) or undoing any connections.
- To be sure, measure the voltage in the DC bus link and wait until it has fallen below 50 V.

NOTICE

Wrong mains voltage, unsuitable motor or wrong wiring will damage the drive. Check the combination of drive and motor. Compare the rated voltage and current of the units. Implement the wiring according to the matching connection diagram, see (→ # 59) and following. Make sure that the maximum permissible rated voltage at the terminals L1, L2, L3 or +DC, –DC is not exceeded by more than 10% even in the most unfavorable circumstances (see IEC 60204-1).

NOTICE

Excessively high external fusing will endanger cables and devices. The fusing of the mains power and logic power must be installed by the user. Hints for use of Residual-current circuit breakers (RCD) (→ # 18).

NOTICE

Since the leakage current to PE is more than 3.5 mA, in compliance with IEC61800-5-1 the PE connection must either be doubled or a connecting cable with a cross-section >10 mm² must be used. Deviating measures according to regional standards might be possible.

NOTICE

The drive status shall be monitored by the PLC to acknowledge critical situations. We recommend wiring the ready to operate relay contact in series into the emergency off circuit of the installation. The emergency off circuit must operate the supply contactor.

NOTE

It is permissible to use the setup software to alter the settings of the drive. Any other alterations will invalidate the warranty.

8.2 Guide to electrical installation

Kollmorgen recommends to install the drive electrical system as follows:

1. Select cables in accordance with IEC 60204 (→ # 49).
2. Install shielding and ground the drive.
For EMC-compliant shielding and grounding, see (→ # 52).
Ground the mounting plate, motor housing and CNC-GND of the control system.
3. For functional safety information, see (→ # 133).
4. Wire the drive and connectors.
Observe the "Recommendations for EMI noise reduction": (→ # 52).
 - Wire the "Ready to Operate" contact into the emergency off circuit of the system.
 - Connect the digital control inputs and outputs.
 - Connect up analog ground (also if a fieldbus is used).
 - Connect the analog input source, if required.
 - Connect the motor (hybrid cable or power, brake and feedback cables).
 - Connect shielding at both ends.
 - If required, connect the external regen resistor (with fusing).
 - AKD2G-Sxx-6V: connect EMC filters (shielded lines between filter and drive) for second environment requirements to product category C2.
 - Connect the auxiliary voltage supply
 - Connect the main electrical supply.
Check maximum permitted voltage value (→ # 33).
 - Check proper use of residual-current circuit breakers (RCD): (→ # 18).
 - Connect the PC (→ # 101) for setting up the drive.
5. Check the wiring against the wiring diagrams:

| | |
|--------------------------------|-------------|
| Overview AKD2G single axis | (→ # 59) |
| Overview AKD2G dual-axis | (→ # 60) |
| Connector pinout | (→ # 61) ff |
| Mains power supply: | (→ # 68) ff |
| Logic power supply: | (→ # 75) |
| DC Bus Link: | (→ # 76) |
| External Regen Resistor: | (→ # 78) |
| Motor single cable connection: | (→ # 80) |
| Motor dual cable connection: | (→ # 82) |
| Motor Holding Brake: | (→ # 84) |
| Feedback Connection | (→ # 86) |
| Encoder emulation: | (→ # 92) |
| Electronic gearing: | (→ # 94) |
| Master Slave: | (→ # 94) |
| EtherNet Fieldbus interface: | (→ # 95) |
| CAN bus interface: | (→ # 98) |
| Service interface: | (→ # 101) |
| Digital and analog I/O: | (→ # 103) |
| Functional Safety option 1: | (→ # 137) |

8.3 Wiring

NOTICE

Only professional staff who are qualified in electrical engineering are allowed to install the drive. Wires with color green with one or more yellow stripes must not be used other than for protective earth (PE) wiring. When installing or replacing cables, use only standardized components, which complies to the cable and wire requirements (→ # 49).

8.3.1 General



⚠ DANGER High Voltage up to 900 V!

There is a danger of serious personal injury or death by electrical shock or electrical arcing.

- Only install and wire the equipment when it is not live, that is, when neither the electrical supply nor the 24 V auxiliary voltage nor the supply voltages of any other connected equipment is switched on.
- Make sure that the cabinet is safely disconnected (for instance, with a lock-out and warning signs). The individual voltages are switched on for the first time during setup.

NOTE

The chassis ground symbol, which is used in all the wiring diagrams, indicates that you must take care to provide an electrically conductive connection with the largest feasible surface area between the unit indicated and the mounting plate in the control cabinet. This connection is for the effective grounding of HF interference, and must not be confused with the PE-symbol (PE = protective earth, safety measure as per IEC 60204).

8.3.2 Mating connectors

NOTE

- Connectors X1, X2, X10T, X21, X22 are spring clamp connectors.
- X3 connector with screw terminals, tightening torque 0.5 to 0.6 Nm (4.4 to 5.3 inlbs).
- X3T-type connectors on request.
- Connectors X22 and X23 are optional.

| # | Description | Type | Max. Cross Section |
|--------|---|-----------------------------|------------------------------|
| X1/2 | Motor, two wire feedback, holding brake | Connector, 4 pol. power | 10 mm ² , 8 awg |
| | | Connector, 4 pol. signal | 0.5 mm ² , 21 awg |
| X3/X3T | Mains power, regen resistor, DC-Bus | Connector or T-type, 8 pol. | 6 mm ² , 10 awg |
| X10T | 24V power supply | T-type connector, 2 pol. | 2.5 mm ² , 14 awg |
| X11/12 | EtherNet Fieldbus | RJ45 | 0,5 mm ² , 21 awg |
| X13/14 | CAN In/Out | RJ25 | 0,5 mm ² , 21 awg |
| X20 | Service Port | RJ45 | 0,5 mm ² , 21 awg |
| X21 | I/O control signals | Connector, 2x11 pol. | 1.5 mm ² , 16 awg |
| X22 | I/O control signals | Connector, 2x10 pol. | 1.5 mm ² , 16 awg |
| X23 | Conventional feedback models | SubD 15pol. HD (female) | 0,5 mm ² , 21 awg |

8.3.3 Cable and Wire Requirements

8.3.3.1 Cable material

For information on the chemical, mechanical, and electrical characteristics of the cables please refer to the *Kollmorgen 2G Cable Guide* or contact customer support.

NOTE

To reach the maximum permitted cable length, you must use cable material with the following capacitance requirements:

- Motor power cable: less than 150 pF/m (phase core to shield capacitance)
- Motor Feedback cable: less than 120 pF/m (signal core to shield capacitance)
- Hybrid motor cable:
 - less than 120 pF/m (phase core/core capacitance)
 - less than 210 pF/m (phase core/shield capacitance)
 - less than 120 pF/m (signal core/core capacitance)
 - less than 210 pF/m (signal core/shield capacitance)
 - BUS Element: 45 pF/m @ 800kHz & charact. wave resistance $110 \pm 10 \Omega$ @ 10MHz

8.3.3.2 Cable Length

NOTICE

Cables should not exceed the maximum lengths stated below. The recommended maximum cable length of motor cables depends on the used cable material and the feedback type. Cable functionality is only guaranteed up to the maximum length when using unmodified Kollmorgen engineered cables.

Motor cables (X1, X2, X4, X5, X23, X41)

Length of motor power cables, feedback cables and motor brake cables is equal.

| AKM2G | | AKM | | | |
|-------------------------|-----------------|-------------------------|-----------------|-------------------|-----------------|
| Performance Line Cables | | Performance Line Cables | | Value Line Cables | |
| Feedback | Max. Length [m] | Feedback | Max. Length [m] | Feedback | Max. Length [m] |
| SFD3 | 50 | All | 25 | All | 12 |
| DSL | 25 | | | | |
| Endat 2.2 | 25 | | | | |
| Resolver | 50 | | | | |

I/O cables (X21, X22)

NOTICE

Maximum distance for unshielded I/O lines is 3 m inside the cabinet. If the I/O cable leaves the cabinet, it must be EMC shielded.

8.3.3.3 T-Connector wiring

If you use mating T-connectors for 24 VDC supply, mains voltage supply and DC-Bus link, you must prepare the connecting cables with wire end ferrules.

You can prepare cables with cross-section 2.5 mm² (up to to 6 mm²) with a uniform length of 170 mm, if the modules are lined up close together.

Use wire end ferrules with plastic collars, for example 2.5 mm² x 17 mm.

8.3.3.4 Cable cross sections and requirements

The tables below describe the recommended interface cross sections and cable requirements related to AKD2G in accordance with IEC 60204. For multi-axes systems, observe the specific operating conditions for your system.

| Power Cables | | Cross Section | | Remarks |
|--------------------------------|---------|----------------------|--------|--|
| | | EU | US | |
| Mains supply | 1x3 A: | 1.5 mm ² | 14 awg | 600 V rated ,minimum 75°C |
| | 2x3 A: | 1.5 mm ² | 14 awg | |
| | 1x6 A: | 1.5 mm ² | 14 awg | |
| | 2x6 A: | 2.5 mm ² | 14 awg | |
| | 1x12 A: | 2.5 mm ² | 14 awg | |
| 24 V supply | max. | 2.5 mm ² | 14 awg | single core |
| DC bus link, Regen resistor | 3/6 A: | 1.5 mm ² | 14 awg | 1000 V rated, min. 75°C, shielded for lengths >0.20 m |
| | 12 A: | 2.5 mm ² | 14 awg | |
| I/O cables | | | | |
| Analog I/Os | min. | 0.25 mm ² | 24 awg | shielded twisted pairs |
| Digital I/Os | | 0.5 mm ² | 20 awg | single core |

Motor Power Cable (power) & Motor Combination Cable (power & brake)

| Cross Section [mm] | | Current Carrying Capacity | Remarks |
|--------------------|------------------|-----------------------------------|---|
| Cable | Combi Cable | | |
| (4x1) | (4x1.0+(2x0.75)) | 0A < I _{0rms} ≤ 10.1A | 1000 V Rated, 80°C Current carrying capacity acc. to IEC 60204-1:2006 Table 6, Column B2 The brackets (...) show the shielding. |
| (4x1.5) | (4x1.5+(2x0.75)) | 10.1A < I _{0rms} ≤ 13.1A | |
| (4x2.5) | (4x2.5+(2x1.0)) | 13.1A < I _{0rms} ≤ 17.4A | |
| (4x4) | (4x4.0+(2x1.0)) | 17.4A < I _{0rms} ≤ 23A | |
| (4x6) | (4x6.0+(2x1.0)) | 23A < I _{0rms} ≤ 30A | |

Motor Feedback Cable

| Type | Cross Section [mm] | Remarks |
|-------------------|--------------------|---|
| Resolver | (4x2x0.25) | 300 V rated, 80°C Shielded twisted pairs The brackets (...) show the shielding. |
| EnDat 2.1, BiSS B | (6x2x0.25) | |
| HIPERFACE | (5x2x0.25) | |
| EnDat 2.2, BiSS C | (5x2x0.25) | |
| SFD | (3x2x0.25) | |
| Comcoder | (8x2x0.25) | |

Motor Hybrid Cable

| Type | Cross Section [mm] | Current Carrying Capacity | Remarks |
|-----------|------------------------------------|-----------------------------------|---|
| SFD3/DSL | (4x1.0+(2x0.34)+(2x0.75)) | 0A < I _{0rms} ≤ 10.1A | 1000 V rated, 80°C Current carrying capacity acc. to IEC 60204-1:2006 Table 6, Column B2 |
| SFD3/DSL | (4x1.5+(2x0.34)+(2x0.75)) | 10.1A < I _{0rms} ≤ 13.1A | |
| SFD3/DSL | (4x2.5+(2x0.34)+(2x1.0)) | 13.1A < I _{0rms} ≤ 17.4A | |
| SFD3/DSL | (4x4.0+(2x0.34)+(2x1.0)) | 17.4A < I _{0rms} ≤ 23A | |
| SFD3/DSL | (4x6.0+(2x0.34)+(2x1.0)) | 23A < I _{0rms} ≤ 30A | |
| Endat 2.2 | (4x1.5+(2x0.75)+(2x2x0.14+2x0.25)) | 10.1A < I _{0rms} ≤ 13.1A | 4 power lines & 2 brake lines & 2 SFD3/DSL signal lines or 6 EnDat 2.2 signal lines |
| Endat 2.2 | (4x4.0+(2x1.0)+(2x2x0.14+2x0.25)) | 17.4A < I _{0rms} ≤ 23A | |

8.3.4 Protective Earth connection

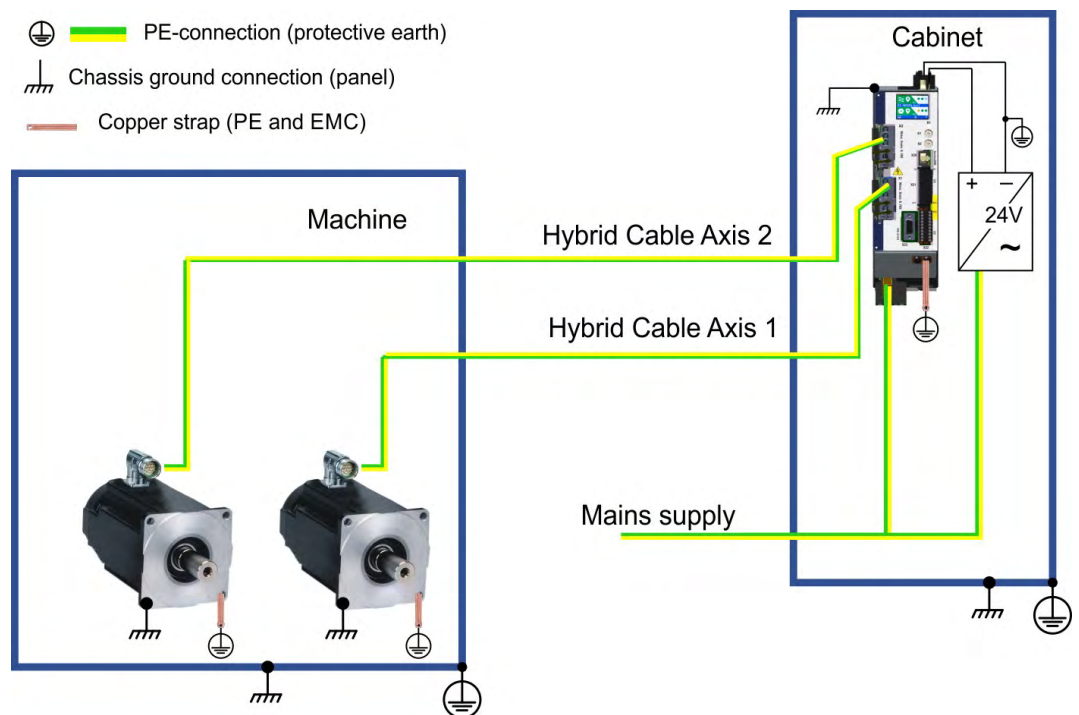
Protective Earth connection of the system components is a safety measure per IEC 60204. Ensure the proper grounding of all components with the PE rail in the control cabinet as reference potential. Connect each ground individually with the intended grounding cable (neutral point connection).

The leakage current from AKD2G against PE is more than 3.5 mA. In accordance with EN 61800-5-1, the PE connection must therefore either be double implemented or a connection cable with $>10\text{mm}^2$ cross-section used.

In order to keep the impedance as low as possible, we recommend a copper earthing strap for the PE connection on the PE block.

NOTE

Wire the PE connections immediately after installing the devices as the first electrical connection. Now you insert all the other lines and connectors. For disassembly, release the PE connections as the last connection.



NOTE

For the use of residual current protective devices (RCD), refer to (→ # 18).

8.4 EMI Noise Reduction



CAUTION Electromagnetic Fields!

Electromagnetic radiation may, by acting on electrically conductive materials, lead to potential hazardous danger (warming, failure of implants).

- Work on the electrical installation may only be performed by trained and qualified personnel, in compliance with the regulations for safety at work, and only with switched off mains supply, and secured against restart.
- Grounding, equipotential bonding and radiation-reducing shields may not be removed.

8.4.1 Recommendations for EMI noise reduction

The following guidelines will help you to reduce problems with electrical noise in your application.

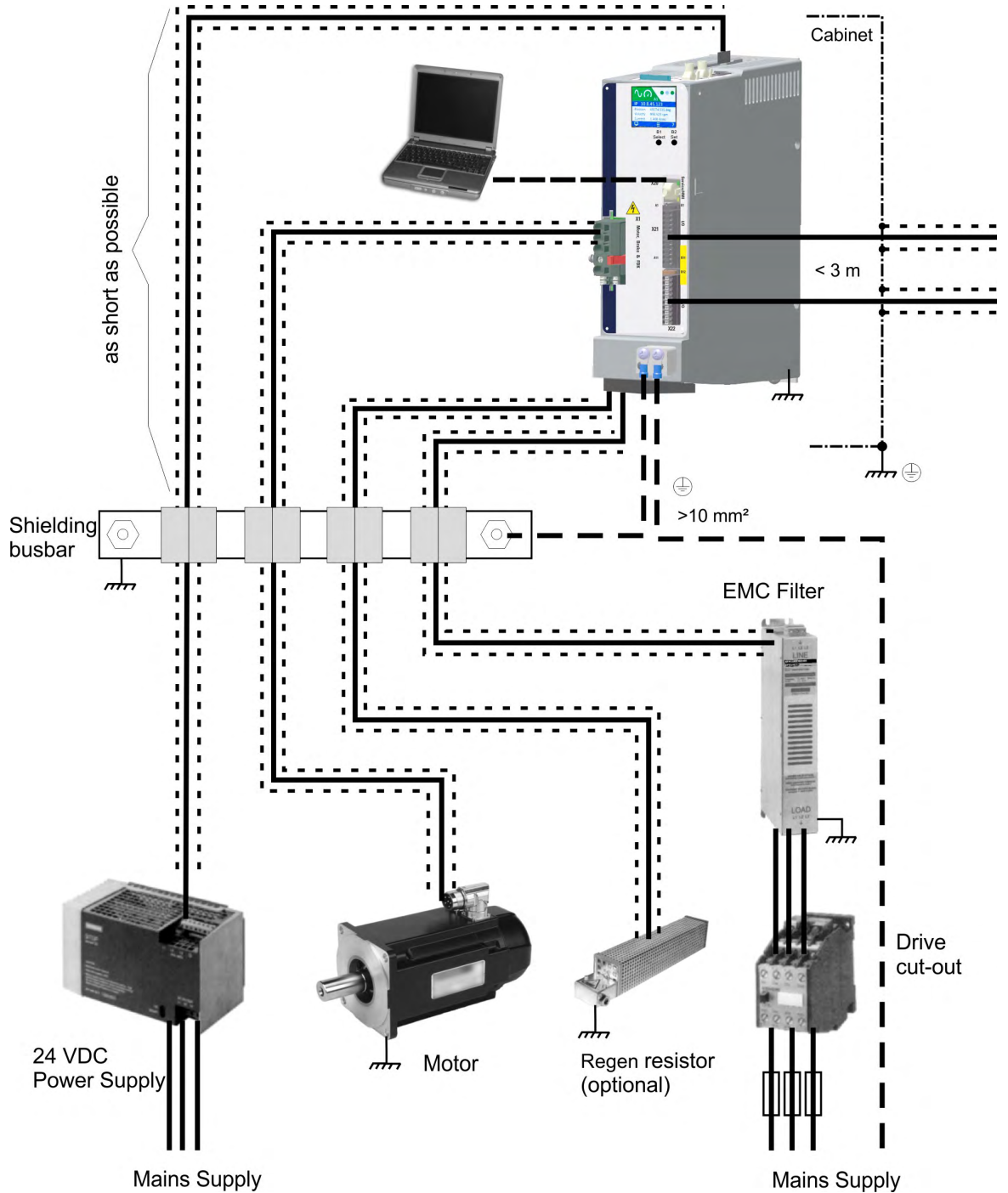
- **Ensure good connections between the cabinet components.** Connect the back panel and cabinet door to the cabinet body using several conductive braids. Never rely on hinges or mounting bolts for ground connections.
- **Ensure good ground connection.** Connect from cabinet to proper earth ground. Ground leads should be the same gauge as the leads to main power, but must cover the regional legal requirements, example (→ # 51).
- **Use Kollmorgen cables.** Route power and control cables separately, Kollmorgen recommends a distance of at least 200 mm to improve interference immunity.
- **Ground the shielding at both ends.** Ground all shielding with large areas (low impedance), with metalized connector housings or shield connection clamps wherever possible. For cables entering a cabinet, connect shields on all 360° of the cable. Never connect a simple "pigtail." For more information on shielding concepts, (→ # 53).
- **With separate mains filter, maintain separation of leads entering and exiting the mains filter (line power filter).** Locate the filter as close as possible to the point where the incoming power enters the cabinet. If it is necessary for input power and motor leads to cross, cross them at 90°.
- **Observe cable length limits.** Maximum distance for unshielded I/O lines is 3 m inside the cabinet. If the I/O cable leaves the cabinet, it must be EMC shielded.
- **Feedback lines and Hybrid Cables may not be extended, since the shielding would be interrupted and the signal processing may be disturbed.** Install all feedback cables with an adequate cross-section, per IEC 60204 (→ # 49) and use the requested cable material to reach maximum cable length.
- **Splice cables properly.** If you need to divide cables, use connectors with metal backshells. Ensure that both shells connect along the full 360° of the shields.
- **Use differential inputs for analog signals.** Noise susceptibility in analog signals is greatly reduced by using differential inputs. Use twisted-pair, shielded signal lines, connecting shields on both ends.
- **Cables between drives and filters or external regen resistors must be shielded.** Install all power cables with an adequate cross-section per IEC 60204 (→ # 49) and use the requested cable material to reach maximum cable length.

8.4.2 Shielding with external shielding busbar

For best practice use of shielded cables Kollmorgen recommends a star point shield connection, for example, with a shielding busbar.

8.4.2.1 Shielding Concept

Example with AKD2G-Sxx--6Vxx, EMC filter and external regen resistor.



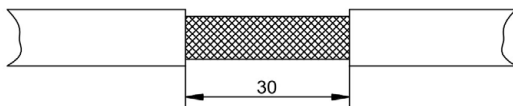
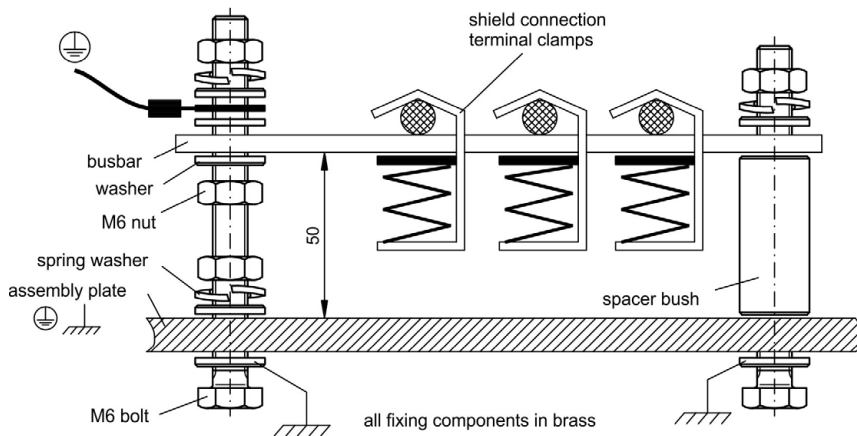
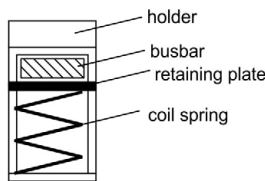
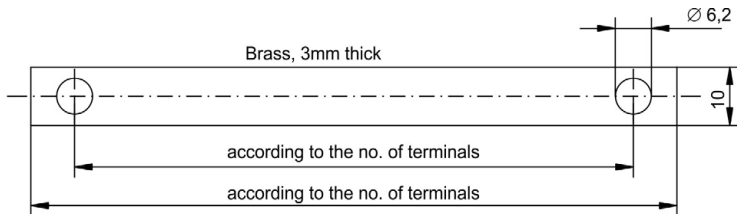
8.4.2.2 Shielding Busbar



The power cable shields (line in, motor cable, external regen resistor) can be routed to an additional busbar via shield clamps.

Kollmorgen recommends using Weidmüller KLBÜ shield clamps.

A possible scenario for setting up a busbar for the above shield clamps is described below.



1. Cut a busbar of the required length from a brass rail (cross-section 10 x 3 mm) and drill holes in it as indicated. All shield clamps required must fit between the drill holes.

CAUTION

Risk of injury due to the spring force of the coil spring.
Use pliers.

2. Squeeze together the coil spring and the supporting plate and push the busbar through the opening in the holder.

3. Mount the busbar with the shield clamps fitted on the assembly plate. Use either metal spacer bushes or screws with nuts and accessories to maintain a spacing of 50 mm. Earth the busbar using a single conductor with a cross-section of at least 2.5 mm².

4. Strip the external cable sheath to a length of approx. 30 mm, taking care not to damage the braided shield. Push the shield clamp up and route the cable to it via the busbar.

NOTICE

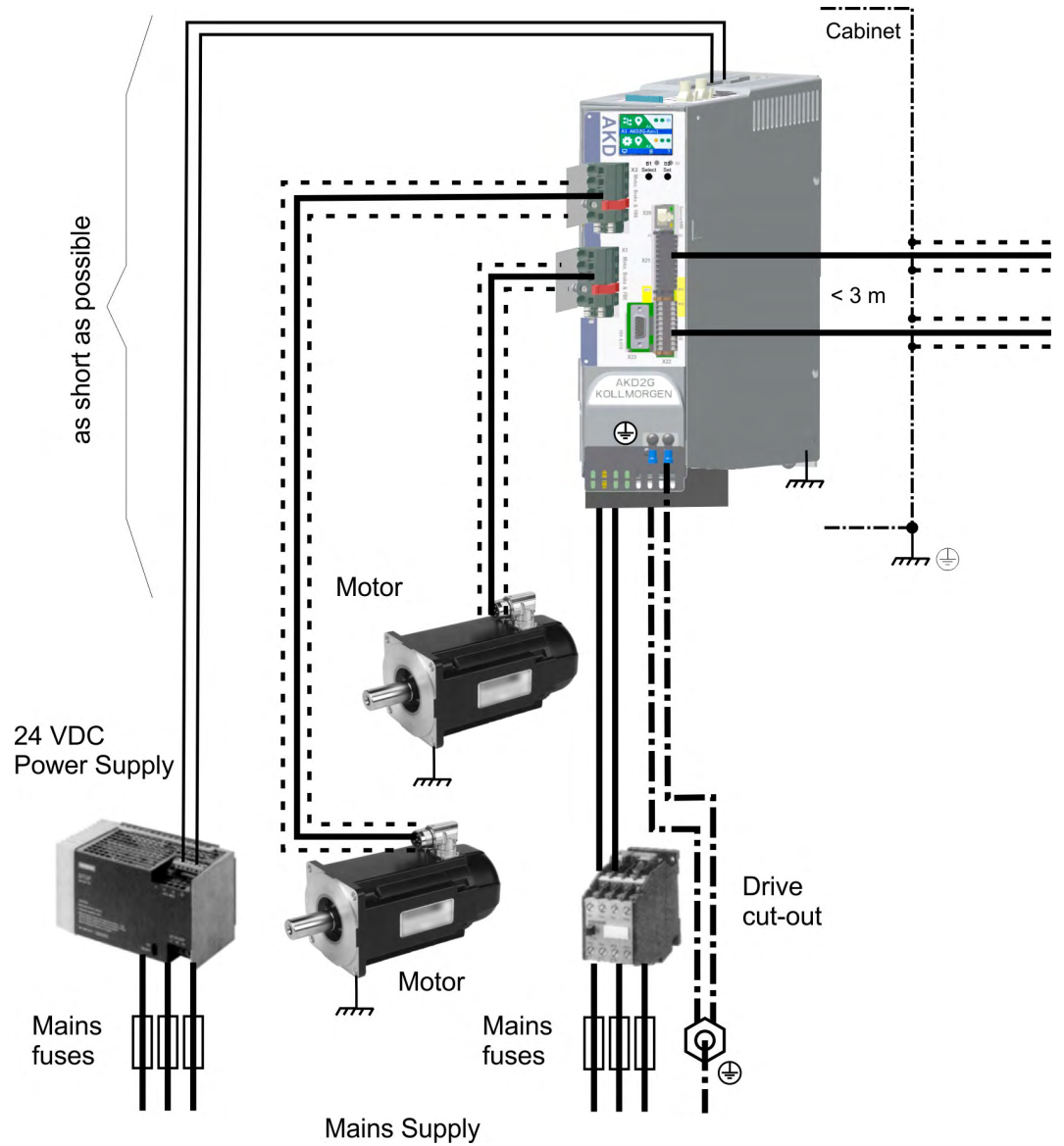
Make sure there is good contact between the shield clamp and the braided shield.

8.4.3 Shielding connection to the drive

You can connect cable shielding directly to the drive by using grounding plates, shield connection clamps, and a motor connector with strain relief and grounding plate.

8.4.3.1 Shielding Concept

Example with AKD2G-Sxx--7Vxx, dual-axis.



8.4.3.2 Grounding plates and shield connection clamps

A grounding plate is mounted to the drive.

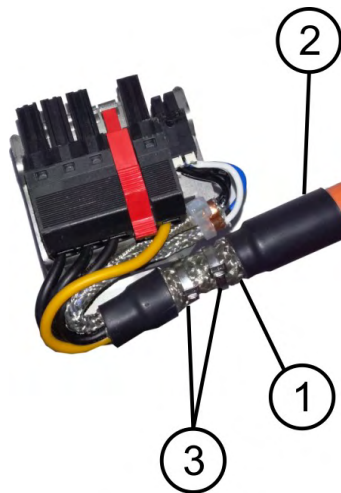


Use shield connection clamps (see accessories manual). These hook into the grounding plate and ensure optimum contact between the shield and the grounding plate.

Kollmorgen recommends using Phoenix Contact SK14 shield clamps with cable clamp range of 6-13mm.

8.4.3.3 Motor connector X1/X2 with shielding connection

Alternative connection for the motor power connection by mating connector with shield plate and strain relief. Kollmorgen motor power and hybrid motor cables are configured with shield plate.



Strip the external cable sheath to a length of approx. 80 mm, taking care not to damage the braided shield. Push the braided shield (1) back over the cable and secure with a rubber sleeve (2) or shrink sleeve.

Shorten all the wires apart from the protective earth (PE) wire (green/yellow) by about 20 mm so that the PE wire is now the longest wire. Strip all wires and fit wire end ferrules.

Secure the braided shield of the cable with metal cable ties (3) and fasten the cable.

Wire the connector as shown in the connection diagram. Plug in the connector to the socket on the front of the AKD2G and secure it with the red clip.

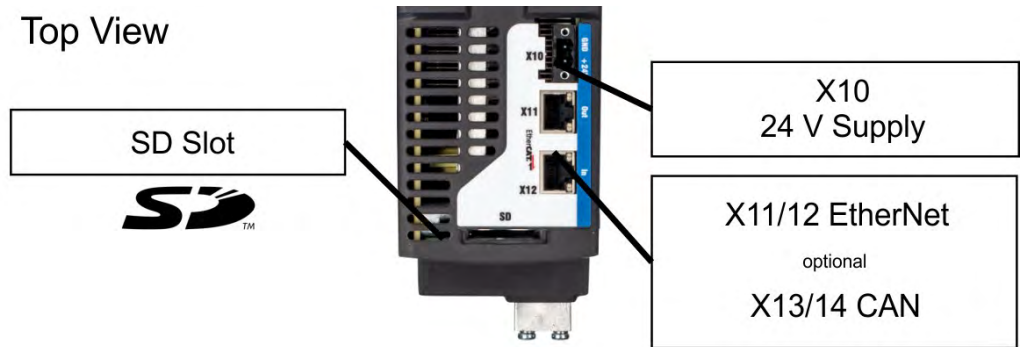
8.5 Connection Overview

8.5.1 Connector Position AKD2G-Sxx-6V

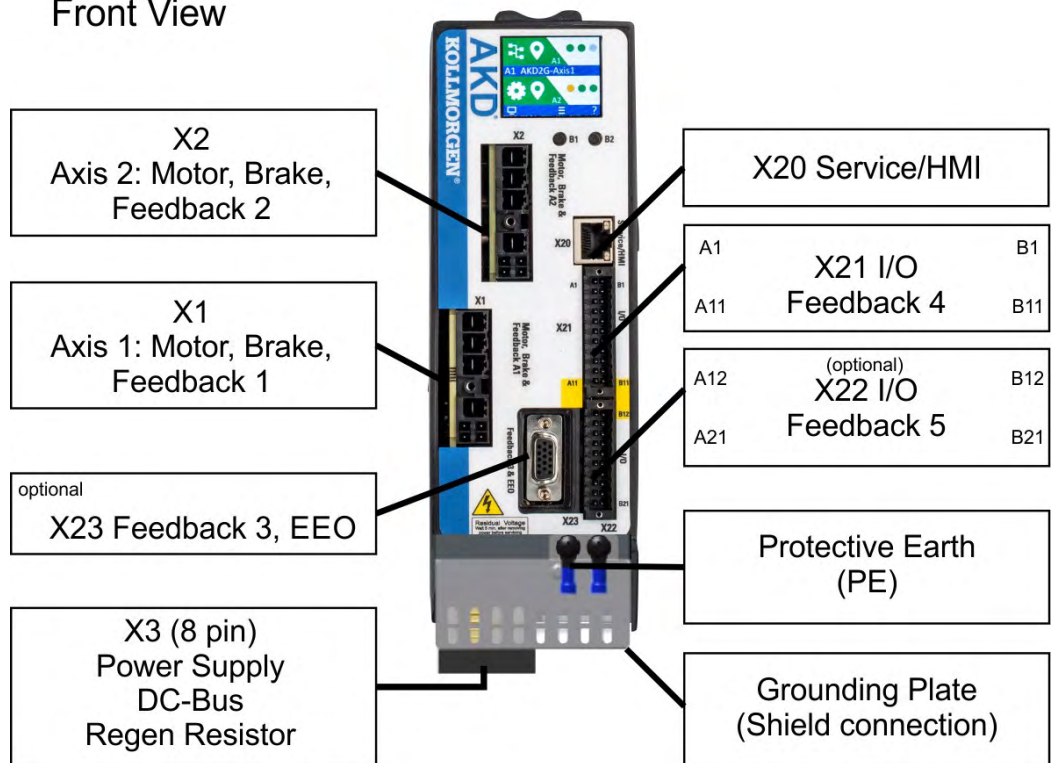
NOTE

The graphics shows an AKD2G with supply voltage 110 V to 240 V.
 X2 is available with dual-axis drives only.
 Optional: I/O, F3 or DX (→ # 27).

Top View



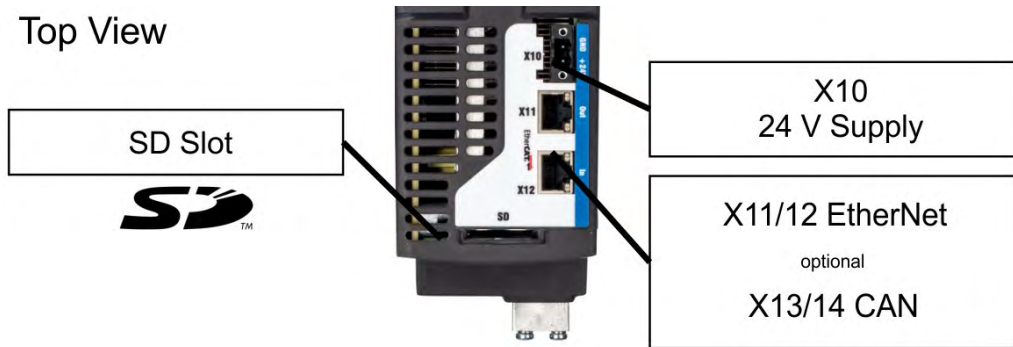
Front View



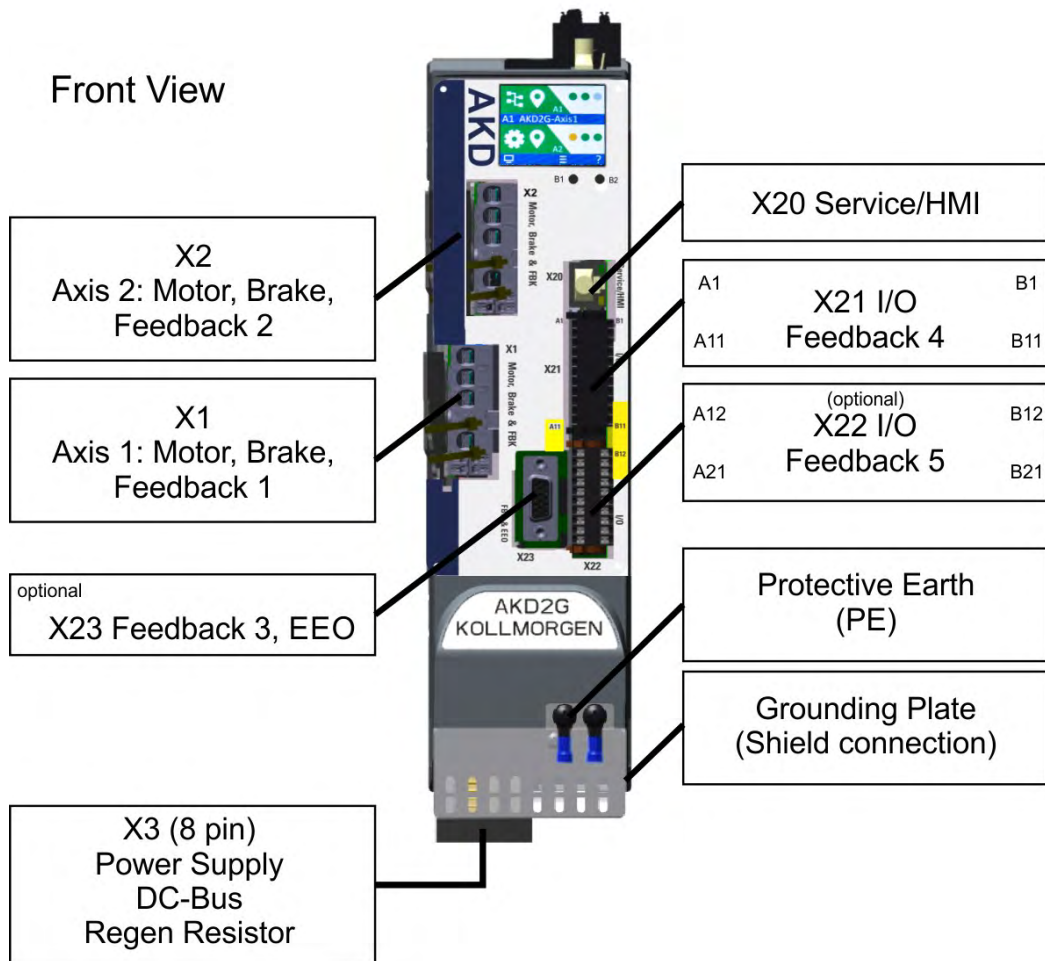
8.5.2 Connector Position AKD2G-Sxx-7V

NOTE The graphics shows an AKD2G with supply voltage 240 V to 480 V.
 X2 is available with dual-axis drives only.
 Optional: I/O, F3 or DX (→ # 27).

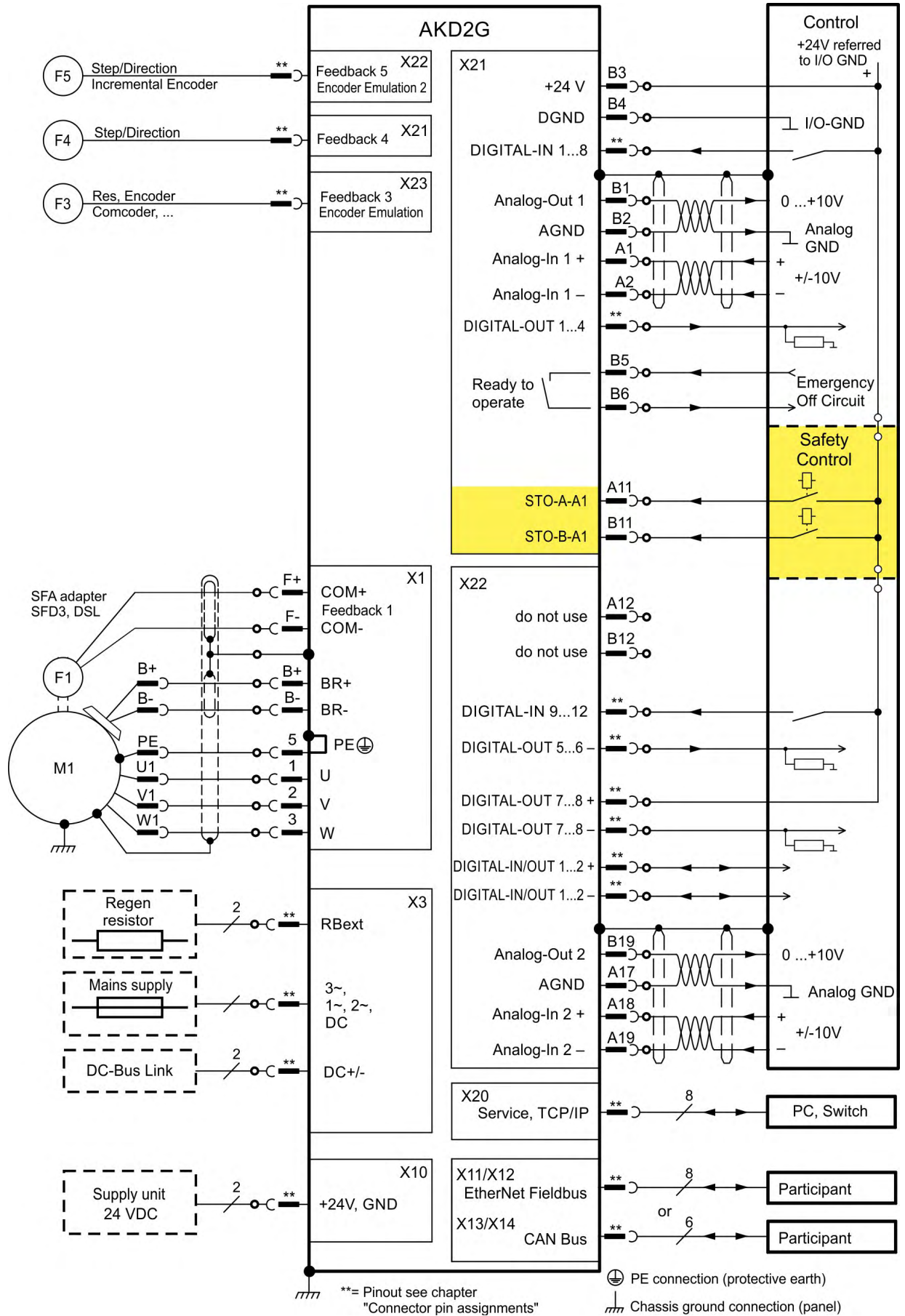
Top View



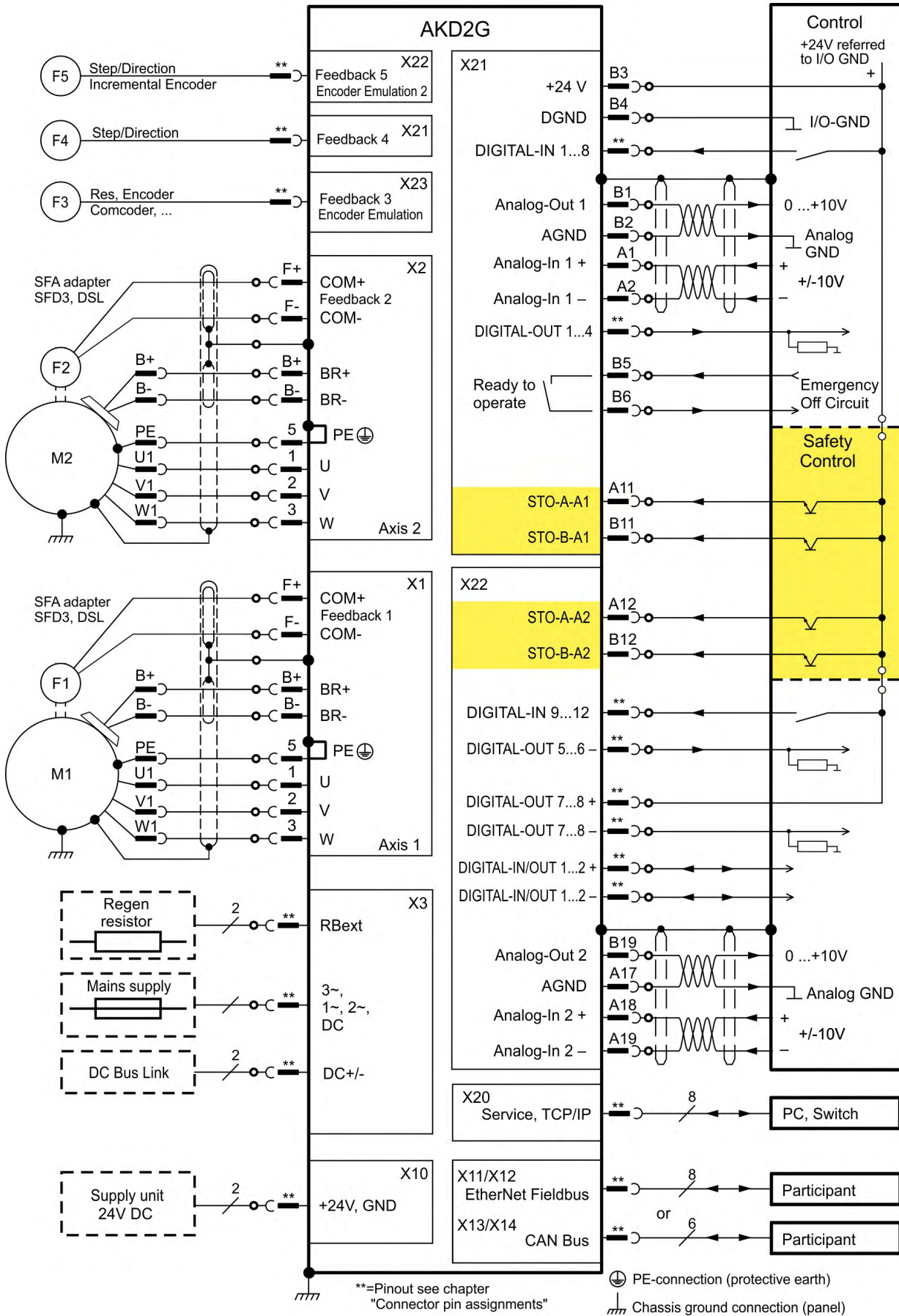
Front View



8.5.3 Wiring overview, single axis drive



8.5.4 Wiring overview, dual axis drive



8.5.5 Connector pin assignments

Information to connectors and wiring (→ # 48).

8.5.5.1 X1 and X2: Motor, Brake, Feedback 1

1 (U) ● 4 pin, pitch 7.62 mm plus 2x2 pin pitch 3.81 mm
 ● Spring clamps
 2 (V) ● Locking screw, tightening torque 0.5 Nm (4.4 inlbs)
 3 (W) ● Motor power, Motor brake (X1: axis 1, X2: axis 2)
 ● X1: Input for commutation feedback 1 (→ # 86)
 ● X2: Input for commutation feedback 2 (→ # 86)
 ● Wiring example:
 - DC Bus link (→ # 76)
 - Motor single cable connection (→ # 80)
 - Motor dual cable connection (→ # 82)
 5 (PE)

B+ B-
 F+ F-

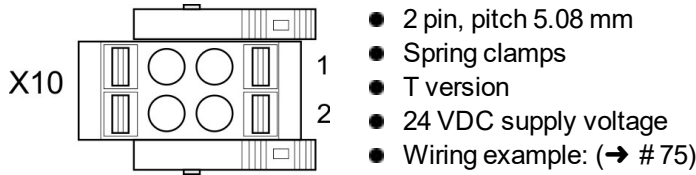
| Pin | Label | Signal | Description |
|-------------------------------|-------|--------|---------------------------|
| 1 | U | U | Motor phase U |
| 2 | V | V | Motor phase V |
| 3 | W | W | Motor phase W |
| retention latch, shield screw | | | |
| 5 | PE | PE | Protective earth |
| B+ | B+ | BR+ | Motor holding brake + |
| B- | B- | BR- | Motor holding brake - |
| F+ | F+ | COM+ | SFD3 + or HIPERFACE DSL + |
| F- | F- | COM- | SFD3 - or HIPERFACE DSL - |

8.5.5.2 X3: Mains, regen resistor, DC-Bus

1 ● 8 pin, pitch 7.62 mm
 ● Screw terminals, tightening torque 0.5 to 0.6 Nm (4.4 to 5.3 inlbs)
 2 ● Locking screw, tightening torque 0.5 Nm (4.4 inlbs)
 ● Optional T version
 3 ● Mains supply, External regen resistor, DC Bus
 4 ● X3/5 to X3/6 must be shorted to use the built in regen resistor.
 Remove the jumper to connect an external regen resistor .
 ● Wiring example:
 - Power supply (→ # 67)
 - DC Bus link (→ # 76)
 - External regen resistor (→ # 78)
 5
 6
 7
 8

| Pin | Label | Signal | Description |
|-----|-------|--------------|---|
| 1 | PE | PE | Protective earth |
| 2 | R | L1 | 3~ mains supply L1, 1~ supply L, DC supply + |
| 3 | S | L2 | 3~ mains supply L2 |
| 4 | T | L3 | 3~ mains supply L3, 1~ supply N, DC supply - |
| 5 | Ri | RBint | internal regen resistor |
| 6 | RE | -RB | external regen resistor - |
| 7 | +DC | +DC (+RBext) | DC Bus link+ and/or external regen resistor + |
| 8 | -DC | -DC | DC Bus link - |

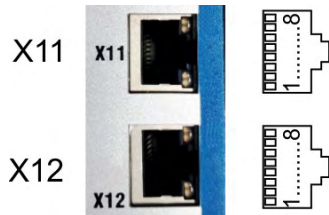
8.5.5.3 X10: 24 VDC



- 2 pin, pitch 5.08 mm
- Spring clamps
- T version
- 24 VDC supply voltage
- Wiring example: (→ # 75)

| Pin | Signal | Description |
|-----|--------|--|
| 1 | + 24 V | +24 VDC supply voltage, PELV |
| 2 | GND | Ground for 24 VDC supply voltage, PELV |

8.5.5.4 X11, X12: EtherNet Fieldbus



- RJ45 with built-in green/red dual-color LED
- EtherCAT, EtherNet/IP*, PROFINET*
- Interface Details: (→ # 95)

*available 2021

| Pin | Signal | Description | Pin | Signal | Description |
|-----|--------|-------------|-----|--------|-------------|
| 1 | Tx+ | Transmit + | 5 | Term. | Termination |
| 2 | Tx- | Transmit - | 6 | Rx- | Receive - |
| 3 | Rx+ | Receive + | 7 | Term. | Termination |
| 4 | Term. | Termination | 8 | Term. | Termination |

8.5.5.5 X13, X14: CAN bus (optional)



- RJ-25
- X14 IN port, X13 OUT port
- Up to 1 Mbit operation
- Node ID to be set by WorkBench
- Interface Details: (→ # 98)

| Pin | Signal | Description | Pin | Signal | Description |
|-----|----------|---------------------|-----|---------|--------------------|
| 1 | n.c. | not used | 4 | CAN_low | CAN bus low signal |
| 2 | Shield | Chassis | 5 | CAN_GND | CAN bus ground |
| 3 | CAN_high | CAN bus high signal | 6 | n.c. | not used |

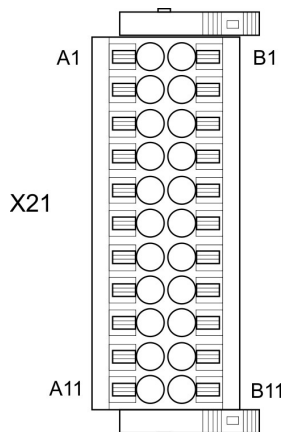
8.5.5.6 X20: Service



- RJ45 with built-in green and yellow LEDs
- 100/10 Mbit EtherNet TCP/IP, Modbus/TCP
- Supports auto-IP, DHCP and fixed IP addressing
- Supports point-to-point (i.e. Auto-IP) and connection by using network switches
- Supports automatic discovery in WorkBench if in the same sub-net.
- Interface Details: (→ # 101)

| Pin | Signal | Description | Pin | Signal | Description |
|-----|--------|-------------|-----|--------|-------------|
| 1 | Tx+ | Transmit + | 5 | Term. | Termination |
| 2 | Tx- | Transmit - | 6 | Rx- | Receive - |
| 3 | Rx+ | Receive + | 7 | Term. | Termination |
| 4 | Term. | Termination | 8 | Term. | Termination |

8.5.5.7 X21: I/O, Feedback 4



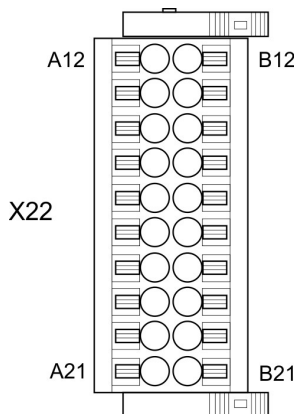
- 2 x 11 pins (left column A, right column B), pitch 3.5 mm
- Spring clamps
- Analog and digital I/O
- Input for feedback 4 (→ # 86)
- Wiring examples:
 - Analog input (→ # 105)
 - Analog output (→ # 106)
 - Digital input (→ # 107)
 - Digital Output (→ # 111)
 - Feedback (→ # 88)

Digital I/O connectivity

| Pin | Signal | Description |
|-----|------------------------|---|
| A1 | Analog-In (AIN) 1 + | Analog Input +/- 10 V |
| A2 | Analog-In (AIN) 1 - | |
| A3* | Digital-In (DIN) 1 | Fast, isolated, sink, type EN 61131-2 type 1 |
| A4* | Digital-In (DIN) 2 | Fast, isolated, sink, type EN 61131-2 type 1 |
| A5 | Digital-In (DIN) 3 | Slow, isolated, sink, type EN 61131-2 type 1 |
| A6 | Digital-In (DIN) 4 | Slow, isolated, sink, type EN 61131-2 type 1 |
| A7 | Digital-In (DIN) 5 | Slow, isolated, sink, type EN 61131-2 type 1 |
| A8 | Digital-In (DIN) 6 | Slow, isolated, sink, type EN 61131-2 type 1 |
| A9 | Digital-In (DIN) 7 | Slow, isolated, sink, type EN 61131-2 type 1 |
| A10 | Digital-In (DIN) 8 | Slow, isolated, sink, type EN 61131-2 type 1 |
| A11 | STO-A-A1 | Slow, isolated, sink, fail-safe, STO axis 1 channel A |
| B1 | Analog-Out (AOUT) 1 | Analog Output, 0 to +10 V |
| B2 | AGND | Ground for analog I/O |
| B3 | +24 V | +24 VDC for digital I/O and STO |
| B4 | DGND | Ground for digital I/O and STO |
| B5 | Digital-Out (DOUT) 9 + | Relay contact, normally open, 24 VDC, 1A |
| B6 | Digital-Out (DOUT) 9 - | Relay contact, normally open, 24 VDC, 1A |
| B7 | Digital-Out (DOUT) 1 | Isolated, high-side, 100 mA |
| B8 | Digital-Out (DOUT) 2 | Isolated, high-side, 100 mA |
| B9 | Digital-Out (DOUT) 3 | Isolated, high-side, 100 mA |
| B10 | Digital-Out (DOUT) 4 | Isolated, high-side, 100 mA |
| B11 | STO-B-A1 | Slow, isolated, sink, fail-safe, STO axis 1 channel B |

*Feedback 4 connectivity, Step/Direction CW/CCW (input)

| Pin | Signal | Description |
|-----|----------------|--|
| A3 | Step, CW | Fast, isolated, sink, type EN 61131-2 type 1 |
| A4 | Direction, CCW | Fast, isolated, sink, type EN 61131-2 type 1 |

8.5.5.8 X22: I/O, EEO2, Feedback 5


- 2 x 10 pins (left column A, right column B), pitch 3.5 mm
- Spring clamps
- Analog and digital I/O
- Input for feedback 5 (→ # 86)
- Output for incremental encoder emulation (EEO2)
- Wiring examples:
 - Analog input (→ # 105)
 - Analog output (→ # 106)
 - Digital input (→ # 107)
 - Digital output (→ # 111)
 - Feedback (→ # 89)
 - Encoder emulation (EEO2) (→ # 92)
 - Master-Slave (→ # 94)

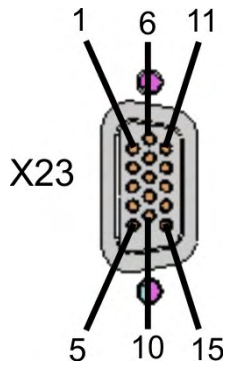
Digital I/O connectivity

| Pin | Signal | Description |
|------|--------------------------|---|
| A12 | STO-A-A2 | Slow, isolated, sink, fail-safe, STO axis 2 channel A |
| A13 | Digital-In (DIN) 9 | Slow, isolated, sink, type EN 61131-2 type 1 |
| A14 | Digital-In (DIN) 10 | Slow, isolated, sink, type EN 61131-2 type 1 |
| A15 | Digital-In (DIN) 11 | Slow, isolated, sink, type EN 61131-2 type 1 |
| A16 | Digital-In (DIN) 12 | Slow, isolated, sink, type EN 61131-2 type 1 |
| A17 | AGND | Ground for analog I/O |
| A18 | Analog-In (AIN) 2+ | Analog Input, +/- 10 V |
| A19 | Analog-In (AIN) 2- | |
| A20* | Digital-In/Out (DIO) 1 + | RS485 input or output |
| A21* | Digital-In/Out (DIO) 1 - | RS485 input or output |
| B12 | STO-B-A2 | Slow, isolated, sink, fail-safe, STO axis 2 channel B |
| B13 | Digital-Out (DOOUT) 5 | Isolated, high-side, 100 mA |
| B14 | Digital-Out (DOOUT) 6 | Isolated, high-side, 100 mA |
| B15 | Digital-Out (DOOUT) 7 + | Fast, isolated, sink or source, 100 mA |
| B16 | Digital-Out (DOOUT) 7 - | |
| B17 | Digital-Out (DOOUT) 8 + | Fast, isolated, sink or source, 100 mA |
| B18 | Digital-Out (DOOUT) 8 - | |
| B19 | Analog-Out (AOUT) 2 | Analog Output, 0 to +10 V |
| B20* | Digital-In/Out (DIO) 2 + | RS485 input or output |
| B21* | Digital-In/Out (DIO) 2 - | RS485 input or output |

***Feedback 5 (input)**
***EEO2 (output)**

| Pin | Increm. Encoder | Step/Dir | CW/CCW | BiSS B/C EnDAT 2.2 | Pin | Increm. Encoder |
|-----|-----------------|----------|--------|--------------------|-----|-----------------|
| A20 | Track A + | Step + | CW + | CLK+ | A20 | A+ |
| A21 | Track A - | Step - | CW - | CLK- | A21 | A - |
| B20 | Track B + | Dir + | CCW + | DAT+ | B20 | B+ |
| B21 | Track B - | Dir - | CCW - | DAT- | B21 | B - |

8.5.5.9 X23: I/O, EEO1, Feedback 3



- Sub-D high density 15 pin, female
- Locking screws, tightening torque 0.4 Nm (3.5 inlbs)
- Input for feedback 3 (→ # 86)
- Output for incremental encoder emulation (EEO1)
- Additional Digital-In/Out
- Wiring examples:
 - Feedback (→ # 90)
 - Encoder emulation (EEO1) (→ # 93)
 - Master-Slave (→ # 94)
 - Digital input (→ # 107)
 - Digital output (→ # 111)

Feedback 3 connectivity (input)

| X23 Pin | SFD | Resolver | BiSS B | BiSS C | EnDAT 2.1 | EnDAT 2.2 | HIPER FACE | Sine/ Cos | Sine/ Cos +Hall | Incr. Enc. | Incr. Enc. +Hall | Hall | Step/ Dir | CW/ CCW |
|---------|------|----------|--------|--------|-----------|-----------|------------|-----------|-----------------|------------|------------------|--------|-----------|---------|
| 1 | - | - | - | - | - | - | - | - | Hall U | - | Hall U | Hall U | - | - |
| 2 | - | - | CLK+ | CLK+ | CLK+ | CLK+ | - | - | Hall V | - | Hall V | Hall V | - | - |
| 3 | - | - | CLK- | CLK- | CLK- | CLK- | - | - | Hall W | - | Hall W | Hall W | - | - |
| 4 | SEN+ | - | SEN+ | SEN+ | SEN+ | SEN+ | SEN+ | SEN+ | SEN+ | SEN+ | SEN+ | - | - | - |
| 5 | SEN- | - | SEN- | SEN- | SEN- | SEN- | SEN- | SEN- | SEN+ | SEN+ | SEN+ | - | - | - |
| 6 | COM+ | R1 Ref+ | DAT+ | DAT+ | DAT+ | DAT+ | DAT+ | Zero+ | Zero+ | Zero+ | Zero+ | - | - | - |
| 7 | COM- | R2 Ref- | DAT- | DAT- | DAT- | DAT- | DAT- | Zero- | Zero- | Zero- | Zero- | - | - | - |
| 8 | - | Th+ | Th+ | - | Th+ | - | Th+ | Th+ | Th+ | Th+ | Th+ | Th+ | Th+ | Th+ |
| 9 | - | Th- | Th- | - | Th- | - | Th- | Th- | Th- | Th- | Th- | Th- | Th- | Th- |
| 10 | +5 V | - | +5 V | +5 V | +5 V | +5 V | +5 V | +5 V | +5 V | +5 V | +5 V | +5 V | +5 V | +5 V |
| 11 | 0 V | - | 0 V | 0 V | 0 V | 0 V | 0 V | 0 V | 0 V | 0 V | 0 V | 0 V | 0 V | 0 V |
| 12 | - | S1 SIN+ | A+ | - | A+ | - | SIN+ | A+ | A+ | A+ | A+ | - | Step+ | CW+ |
| 13 | - | S3 SIN- | A- | - | A- | - | SIN- | A- | A- | A- | A- | - | Step- | CW- |
| 14 | - | S2 COS+ | B+ | - | B+ | - | COS+ | B+ | B+ | B+ | B+ | - | Dir+ | CCW+ |
| 15 | - | S4 COS- | B- | - | B- | - | COS- | B- | B- | B- | B- | - | Dir- | CCW- |

CLK = CLOCK, DAT = DATA, SEN = SENSE, Th = Thermal control

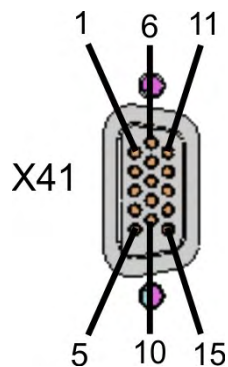
EEO1 connectivity (output)

| Pin | Incremental Encoder |
|-----|---------------------|
| 6 | Zero+ |
| 7 | Zero- |
| 11 | 0 V |
| 12 | A + |
| 13 | A- |
| 14 | B+ |
| 15 | B- |

Digital I/O connectivity

| Pin | Digital I/O |
|-----|--------------------|
| 2 | Digital-In/Out 6 + |
| 3 | Digital-In/Out 6 - |
| 6 | Digital-In/Out 5 + |
| 7 | Digital-In/Out 5 - |
| 10 | +5 V |
| 11 | 0 V |
| 12 | Digital-In/Out 3 + |
| 13 | Digital-In/Out 3 - |
| 14 | Digital-In/Out 4 + |
| 15 | Digital-In/Out 4 - |

8.5.5.10 X41: SFA Feedback converter, EEO3/EEO4 (accessory)



- Sub-D high density 15 pin, female
- Locking screws, tightening torque 0.4 Nm (3.5 inlbs)
- 1 m cable, 3 flying leads with ferrules for connection to X1, X2
- Input for electronic gearing
- When connected to X1: Input for feedback 1 (→ # 86)
- When connected to X2: Input for feedback 2 (→ # 86)
- Output for incremental encoder emulation (EEO3 / EEO4) (→ # 93)
- SFA Adapter converts conventional feedback signals to 2 wire feedback format
- Wiring examples:
 - Feedback and Encoder emulation (→ # 91)
 - Master-Slave (→ # 94)

Feedback 1/2 connectivity (input)

| X41 Pin | SFD | Resol-ver | BiSS B | EnDAT 2.1 | EnDAT 2.2 | HIPER-FACE | Sine/ Cos | Sine/ Cos +Hall | Incr. Enc. | Incr. Enc. +Hall | Hall | Step/ Dir | CW/ CCW |
|---------|------|-----------|--------|-----------|-----------|------------|-----------|-----------------|------------|------------------|--------|-----------|---------|
| 1 | - | - | - | - | - | - | - | Hall U | - | Hall U | Hall U | - | - |
| 2 | - | - | CLK+ | CLK+ | CLK+ | - | - | Hall V | - | Hall V | Hall V | - | - |
| 3 | - | - | CLK- | CLK- | CLK- | - | - | Hall W | - | Hall W | Hall W | - | - |
| 4 | SEN+ | - | SEN+ | SEN+ | SEN+ | SEN+ | SEN+ | SEN+ | SEN+ | SEN+ | - | - | - |
| 5 | SEN- | - | SEN- | SEN- | SEN- | SEN- | SEN- | SEN+ | SEN+ | SEN+ | - | - | - |
| 6 | COM+ | R1 Ref+ | DAT+ | DAT+ | DAT+ | DAT+ | Zero+ | Zero+ | Zero+ | Zero+ | - | - | - |
| 7 | COM- | R2 Ref- | DAT- | DAT- | DAT- | DAT- | Zero- | Zero- | Zero- | Zero- | - | - | - |
| 8 | - | Th+ | Th+ | Th+ | - | Th+ | Th+ | Th+ | Th+ | Th+ | Th+ | Th+ | Th+ |
| 9 | - | Th- | Th- | Th- | - | Th- | Th- | Th- | Th- | Th- | Th- | Th- | Th- |
| 10 | +5 V | - | +5 V | +5 V | +5 V | +5 V | +5 V | +5 V | +5 V | +5 V | +5 V | +5 V | +5 V |
| 11 | 0 V | - | 0 V | 0 V | 0 V | 0 V | 0 V | 0 V | 0 V | 0 V | 0 V | 0 V | 0 V |
| 12 | - | S1 SIN+ | A+ | A+ | - | SIN+ | A+ | A+ | A+ | A+ | - | Step+ | CW+ |
| 13 | - | S3 SIN- | A- | A- | - | SIN- | A- | A- | A- | A- | - | Step- | CW- |
| 14 | - | S2 COS+ | B+ | B+ | - | COS+ | B+ | B+ | B+ | B+ | - | Dir+ | CCW+ |
| 15 | - | S4 COS- | B- | B- | - | COS- | B- | B- | B- | B- | - | Dir- | CCW- |

CLK = CLOCK, DAT = DATA, SEN = SENSE, Th = Thermal control

EEO3 / EEO4 connectivity (output)

| X41 Pin | Incremental Encoder |
|---------|---------------------|
| 6 | Zero+ |
| 7 | Zero- |
| 11 | 0 V |
| 12 | A + |
| 13 | A- |
| 14 | B+ |
| 15 | B- |

8.6 Power and Logic Voltage Supply (X3/X10)

8.6.1 Mains power supply (X3)

Drives in the AKD2G series can be supplied as follows:

AKD2G-Sxx-6V

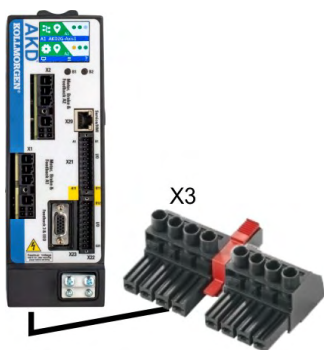
- 1, 2 or 3 phase industrial AC supply networks: 120 V or 240 VAC nominal. (TN-S or TT networks, see [KDN](#))
- DC supply networks: 17 VDC to 370 VDC.

AKD2G-Sxx-7V

- 3 phase industrial AC supply networks: 240 V, 400 V or 480 VAC nominal.
- DC supply networks: 34 VDC to 740 VDC.

Connection to other voltage types of AC supply networks is possible with an additional isolating transformer.

Periodic overvoltages between phases (L1, L2, L3) and the PE/housing of the drive must not exceed 1000 V peak. In accordance with IEC 61800, voltage spikes (< 50 µs) between phases must not exceed 1000 V. Voltage spikes (< 50 µs) between a phase and the PE/housing must not exceed 2000 V.



- 8 pin, pitch 7.62 mm
- optional T version
- Wiring example:
 - 1 phase AC supply (→ # 68)
 - 2 phase AC supply (→ # 68)
 - 3 phase AC supply (→ # 69)
 - DC supply (→ # 70)
- AKD2G-Sxx-6V requires external EMC filter for use in industrial environment, product category C.
- Mating connector data (→ # 48)
- Fusing with different system structures (→ # 71) ff

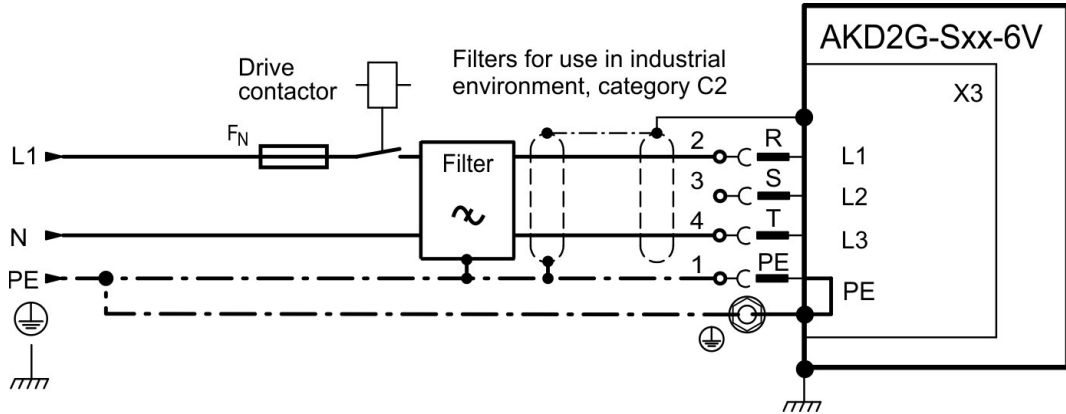
| Pin | Label | Signal | 1~ Supply | 2~Supply | 3~ Supply | DC Supply |
|-----|-------|--------|------------------|------------------|------------------|------------------|
| 1 | PE | PE | Protective earth | Protective earth | Protective earth | Protective earth |
| 2 | R | L1 | Phase L1 | Phase L1 | Phase L1 | + DC |
| 3 | S | L2 | n.c. | n.c. | Phase L2 | n.c. |
| 4 | T | L3 | Neutral N | Phase L2 | Phase L3 | - DC |

For DC supply: observe notes (→ # 70).

8.6.1.1 Wiring examples mains power supply

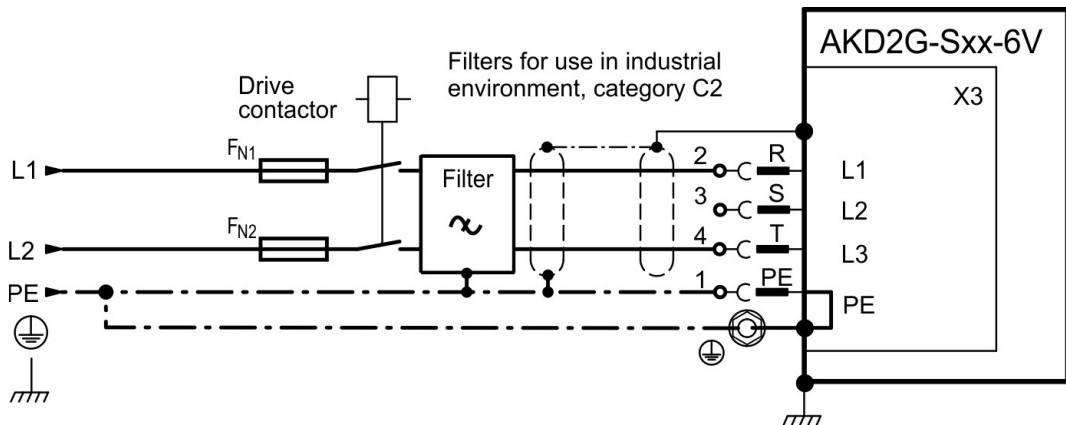
One phase AC mains (AKD2G-Sxx-6V)

- Directly to one phase supply network with neutral line.
- Activate single phase supply (VBUS.THREEPHASE = 0).
- Set VBUS.ACNOMINAL to desired nominal AC line voltage for lines other than nominal rated VAC.
- AC line filtering to be provided by the user. Use filter type FN2090, refer to the *Accessories Manual* for more information. Use shielded cable between filter and drive.



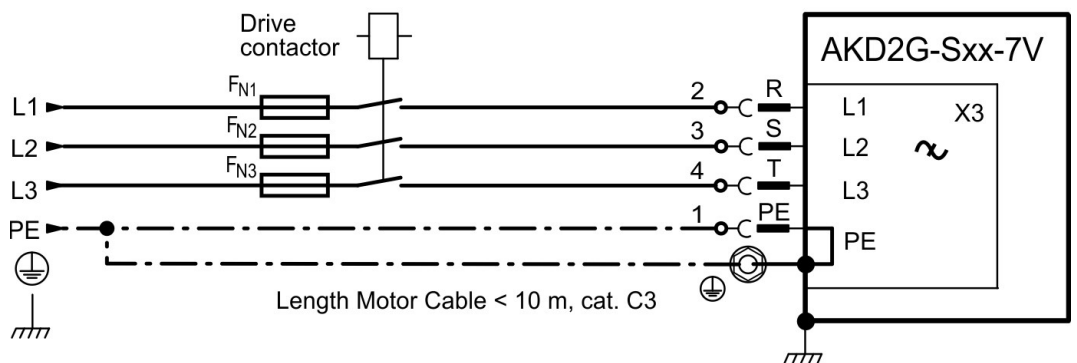
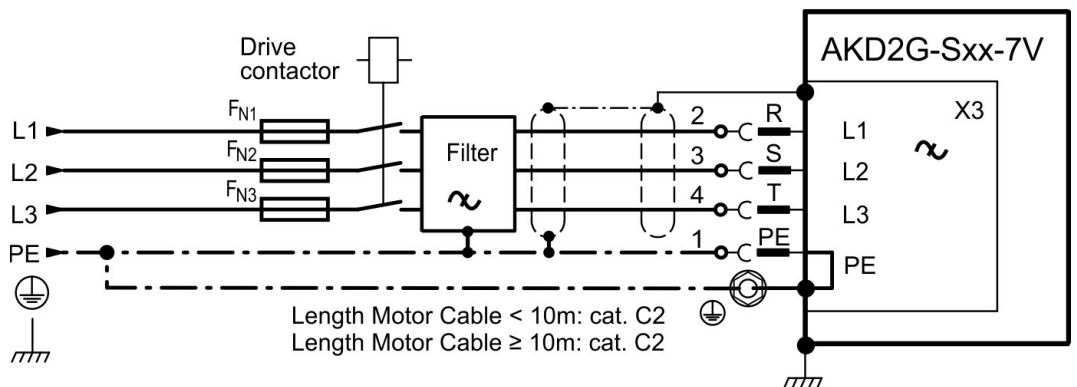
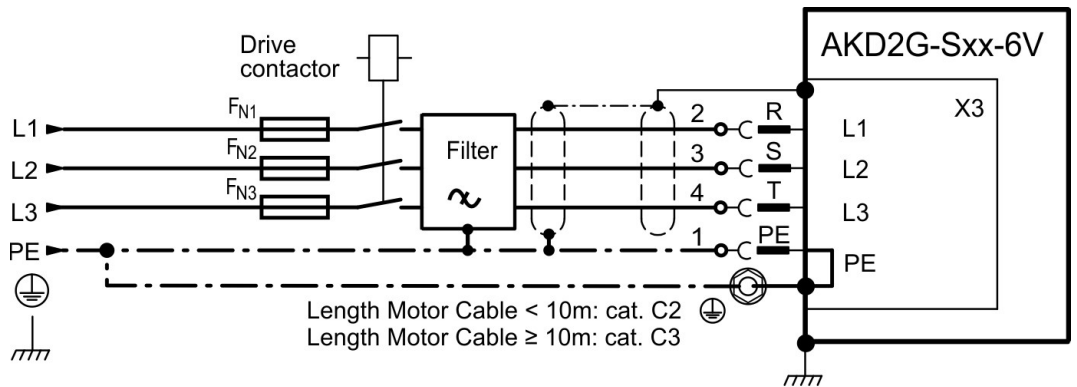
Two phases AC mains (AKD2G-Sxx-6V)

- Directly to two-phase supply network without neutral line.
- Activate single phase supply (VBUS.THREEPHASE = 0).
- Set VBUS.ACNOMINAL to desired nominal AC line voltage for lines other than nominal rated VAC.
- AC line filtering to be provided by the user. Use filter type FN2090, refer to the *Accessories Manual* for more information. Use shielded cable between filter and drive.



Three phases AC mains (all AKD2G-Sxx-)

- Directly to 3-phase supply network.
- Activate 3-phase supply (VBUS.THREEPHASE = 1).
- Set VBUS.ACNO MINAL to desired nominal AC line voltage for lines other than nominal rated VAC.
- AC line filtering to be provided by the user. Refer to the *Accessories Manual* for more filter description. Use shielded cable between filter and drive.
 - AKD2G-Sxx-6V:
 - Motor cable < 10 m: use filter FN 3288 in industrial environment, category C2.
 - Motor cable ≥ 10 m: use filter FN 3288 in industrial environment, category C3.
 - AKD2G-Sxx-7V:
 - Motor cable < 10 m: no filter, in industrial environment, category C3.
 - Motor cable < 10 m: use filter FN 3288 in industrial environment, category C2.
 - Motor cable ≥ 10 m: use filter FN 3288 in industrial environment, category C2.

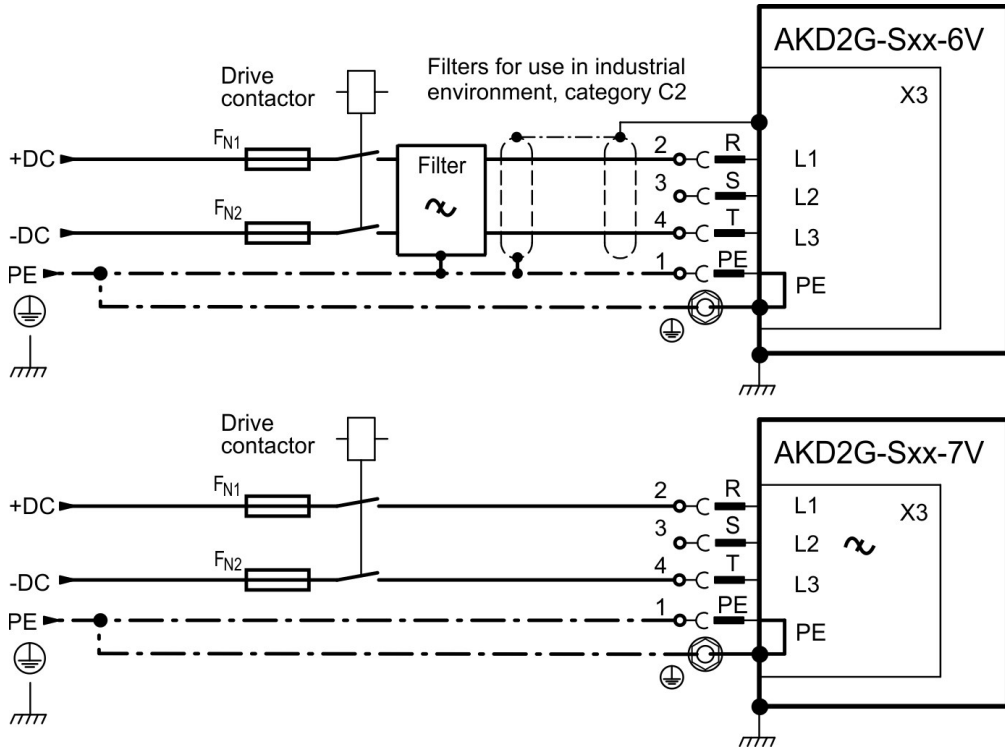


DC Supply (all AKD2G-Sxx-)

- Activate DC supply (VBUS.DCOPERATION = 1).
- Set VBUS.ACNO MINAL to desired DC voltage divide by $\sqrt{2}$ for VDC other than nominal rated.
- Any DC supply filtering for AKD2G-Sxx-6V to be provided by the user.

DC Supply to mains lines R/T (L1/L3)

DC power source is connected to the drive AC line inputs. This wiring provides soft start of the energy storage capacitors inside the drive and the AC rectifier diodes prevents motor regeneration energy from returning to the dc power source. That is, by powering the drive from the AC line input connections, the drive's energy absorption and energy dissipation mechanisms can work normally.



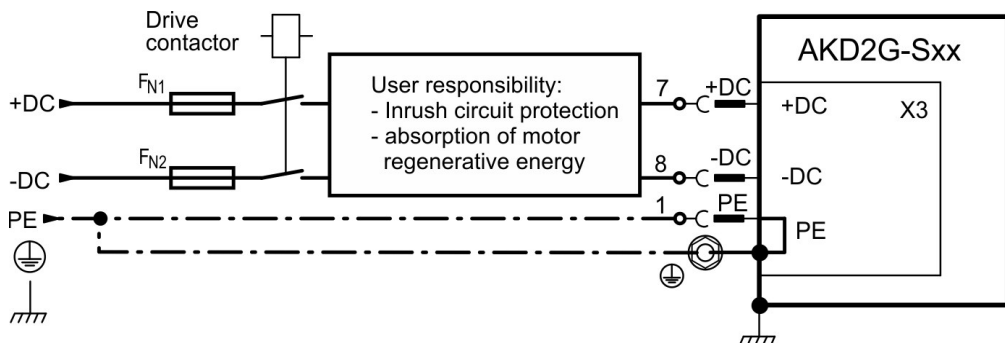
DC Supply to DC Bus lines X3/7-8

NOTICE

When wiring DC power supply to the drive DC Bus terminals X3 pins 7 and 8, the user is responsible for current and power management using additional external devices.

User responsibility:

- The power supply system design must ensure inrush current protection by limiting input current during power up.
- Provide a means to safely absorb energy from the motor when slowing down/regenerating. If the DC power source is a battery energy absorption should just work.
- DC supply polarity must be properly wired. Improper polarity of DC power will damage the drive and void warranty.

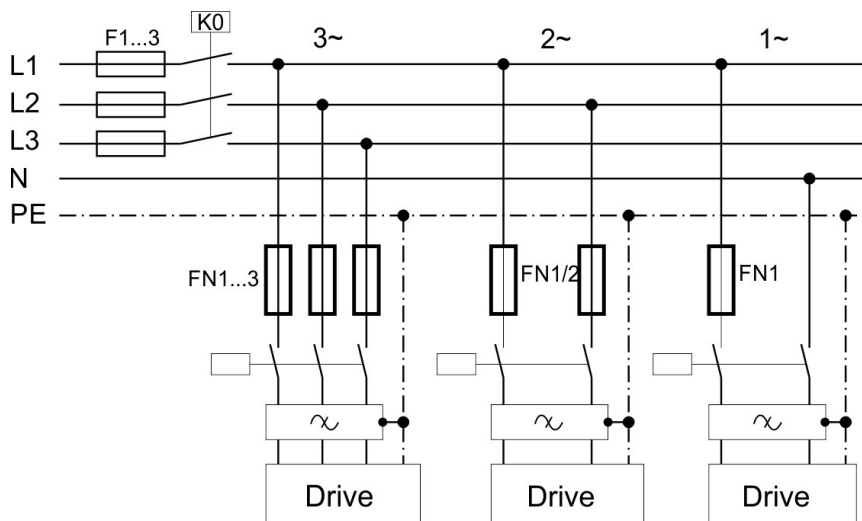


8.6.1.2 Fusing

Fuse types

- UL fuses: Class J, 600 VAC 200 kA (SCCR rating), time-delay. The fuse must be UL and CSA listed, UL recognized is not sufficient. Alternate fuses and breakers to Class J must have similar or better I_p and I^2T performance per UL 508A SB4.2 at the necessary SCCR rating.
- CE fuses: types gS or gG, 400 V/500 V, time-delay
- Fuse holders: Combined with the standard fuse blocks, finger safe fuse holders must be used according to IEC 60529.
- Automatic circuit breakers: max. rating is 30 A, observe SCCR rating
- Group installation fusing: max. rating of fuses or breakers for group installation is 30 A

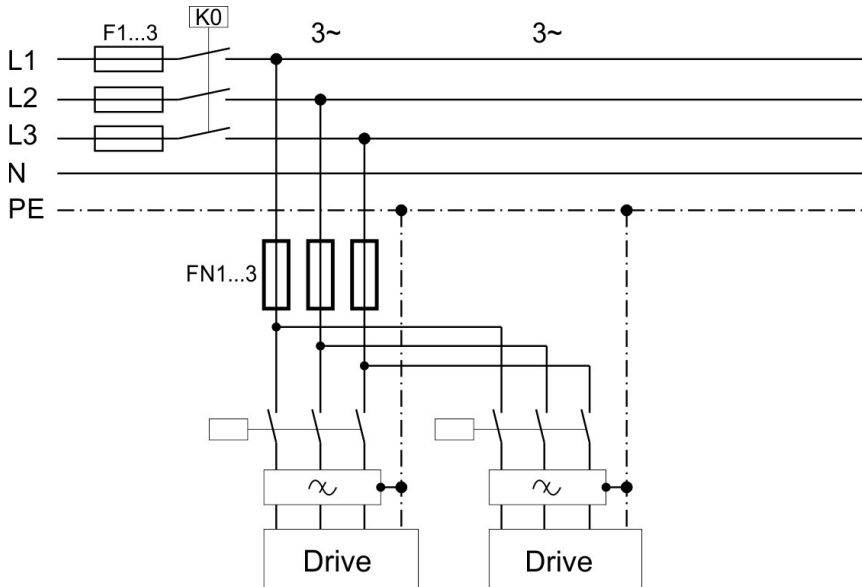
AC supply, single drives, line fusing



- F1, F2, F3: depends on sum of current and cabinet requirements.
- Filters for special EMC requirements only (→ # 151).
- FN1, FN2, FN3 maximum rating: 30 A.
- FN1, FN2, FN3 recommended rating see table below:

| Drive Model | FN1, FN2, FN3: Ampere rating | Example class J Eaton | Example class J Ferraz Shawmut |
|------------------------------------|------------------------------|-----------------------|--------------------------------|
| AKD2G-Sxx-6V03S | 10 A (Time-Delay) | LPJ10SP/DFJ10 | AJT10/HSJ10 |
| AKD2G-Sxx-6V06S AKD2G-Sxx-6V03D | 10 A (Time-Delay) | LPJ10SP/DFJ10 | AJT10/HSJ10 |
| AKD2G-Sxx-6V12S AKD2G-Sxx-6V06D | 15 A (Time-Delay) | LPJ15SP/DFJ15 | AJT15/HSJ15 |
| AKD2G-Sxx-7V03S | 10 A (Time-Delay) | LPJ10SP/DFJ10 | AJT10/HSJ10 |
| AKD2G-Sxx-7V06S AKD2G-Sxx-7V03D | 10 A (Time-Delay) | LPJ10SP/DFJ10 | AJT10/HSJ10 |
| AKD2G-Sxx-7V12S AKD2G-Sxx-7V06D | 15 A (Time-Delay) | LPJ15SP/DFJ15 | AJT15/HSJ15 |

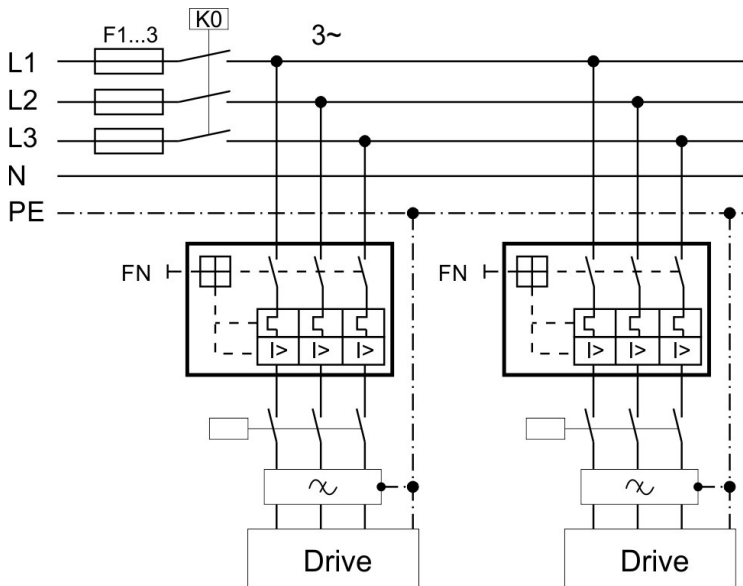
AC supply, group of drives, line fusing



- F1, F2, F3: depends on sum of current and cabinet requirements.
- Filters for special EMC requirements only (→ # 151).
- FN1, FN2, FN3 maximum rating: fuse size for group installation is limited to 30 A max.
- FN1, FN2, FN3 rating should be 1.25 * sum current.

| Group sum current | FN1, FN2, FN3: Ampere rating | Example class J Eaton | Example class J Ferraz Shawmut |
|-------------------|------------------------------|-----------------------|--------------------------------|
| 6 A to 30 A | 30 A (Time-Delay) | LPJ30SP/DFJ30 | AJT30/HJ30 |

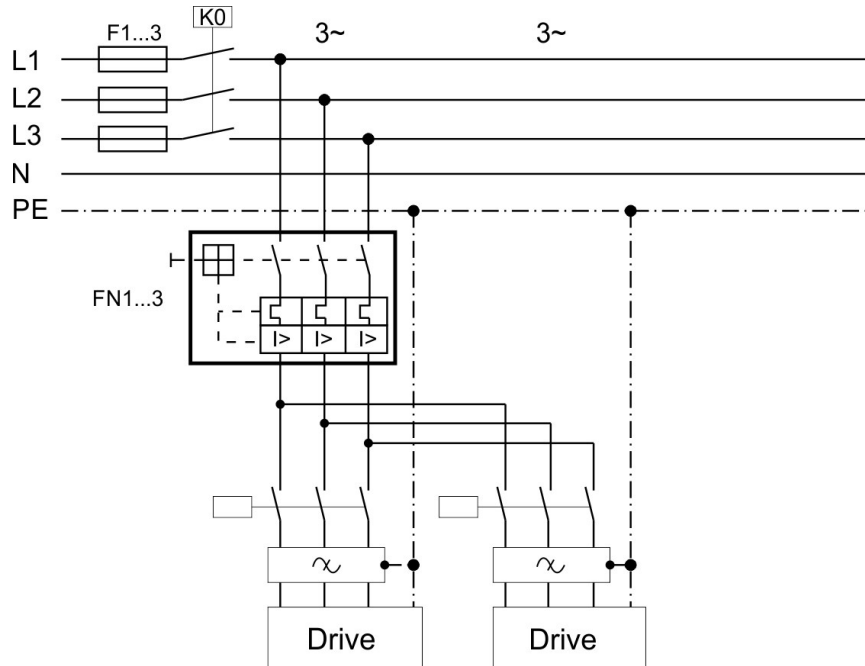
AC supply, single drives, automatic circuit breakers



- F1, F2, F3: depends on sum of current and cabinet requirements.
- Filters for special EMC requirements only (→ # 151).
- FN maximum rating: 30 A
- FN recommended rating and regional approvals see table below:

| Drive Model | Ampere rating | SCCR rating | Example UL Eaton or ABB | Example CE Siemens |
|--------------|---------------|-------------|-------------------------|--------------------|
| AKD2G-Sxx-6V | 15 A | 35 kA | SU203M-K30 | 3VA51954EC310 |

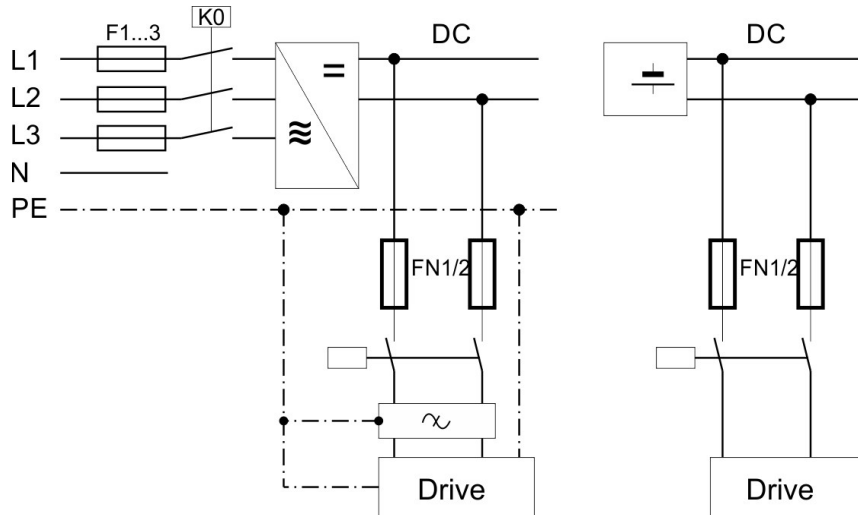
AC supply, group of drives, automatic circuit breakers



- F1, F2, F3: depends on sum of current and cabinet requirements.
- Filters for special EMC requirements only (→ # 151).
- FN maximum rating: circuit breaker size for group installation is limited to 30 A max.
- FN rating should be 1.25 * sum current.
- FN recommended rating and regional approvals see table below:

| Group sum current | Ampere rating | SCCR rating | Example UL Eaton or ABB | Example CE Siemens |
|---------------------|---------------|-------------|-------------------------|--------------------|
| AKD2G-Sxx-6V | | | | |
| 6 A to 9A | 15 A | 10 kA | SU203M-K15 | 3VA51954EC310A |
| 12 A to 15 A | 20 A | 10 kA | SU203M-K20 | 3VA51204EC310A |
| 18 A to 24 A | 30 A | 10 kA | SU203M-K30 | 3VA51304EC310A |
| 27 A to 36 A | 30 A | 10 kA | SU203M-K30 | 3VA51304EC310A |

DC supply, single drives, line fusing



- F1, F2, F3: depends on sum of current and cabinet requirements.
- Filters for special EMC requirements only (→ # 151).
- FN1, FN2 maximum rating 30 A
- FN1, FN2 recommended rating see table below:

| Drive Model | Ampere rating | Example UL Eaton | Example CE Mersen |
|------------------------------------|-------------------|------------------|-------------------|
| AKD2G-Sxx-6V03S | 10 A (Time-Delay) | DFJ-10 | HP6M10 |
| AKD2G-Sxx-6V06S AKD2G-Sxx-6V03D | 15 A (Time-Delay) | DFJ-15 | HP6M15 |
| AKD2G-Sxx-6V12S AKD2G-Sxx-6V06D | 15 A (Time-Delay) | DFJ-15 | HP6M15 |
| AKD2G-Sxx-7V03S | 10 A (Time-Delay) | FWP-10B | HP10M10 |
| AKD2G-Sxx-7V06S AKD2G-Sxx-7V03D | 10 A (Time-Delay) | FWP-10B | HP10M10 |
| AKD2G-Sxx-7V12S AKD2G-Sxx-7V06D | 15 A (Time-Delay) | FWP-15B | HP10M15 |

8.6.2 Auxiliary voltage power supply 24 VDC (X10)

The following diagram describes external 24 VDC power supply (PELV). The required supply current rating depends on the use of motor brake (→ # 33) or (→ # 35).



- 2 pin, pitch 5.08 mm
- T-type mating connector data (→ # 48)
- Undervoltage fault limit 19 V
- Overvoltage fault limit 30 V

| Pin | Signal | Description |
|-----|--------|--|
| 1 | + 24 V | +24 VDC supply voltage, PELV |
| 2 | GND | Ground for 24 VDC supply voltage, PELV |

| 24 V supply (PELV) | Units | Input data |
|---|-------|---------------------------------|
| Auxiliary voltage supply (PELV) | VDC | 24 V (±10%, check voltage drop) |
| - control current without motor brake | A | < 1 |
| - control current with one motor brake | A | < 3.1 |
| - control current with two motor brakes | A | < 5.2 |

8.6.2.1 Fusing

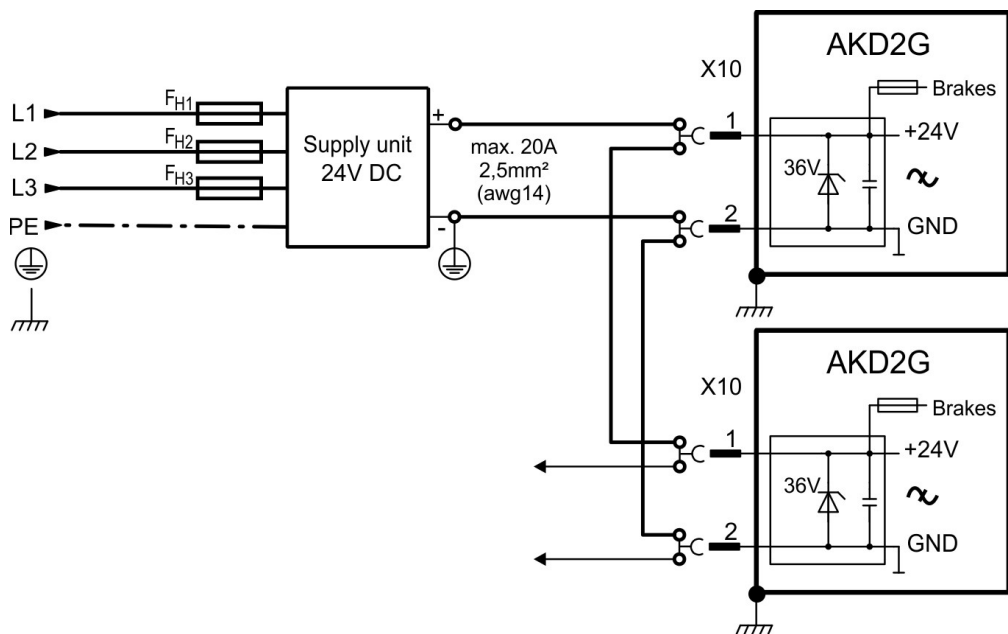
Use 24 VDC supply manufacturers recommendation for fusing.

8.6.2.2 Wiring example 24 VDC supply

Maximum current for one string of daisy-chained X10T connectors is 20 A. The sum control current of connected drives should not extend 20 A. With the data given in the table above, you can connect for example:

6 single axis drives, or 4 dual axis drives, or 3 single + 2 dual axis drives.

Wiring example with three phase power supply unit:

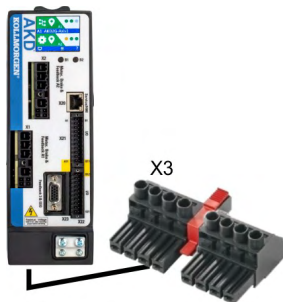


8.7 DC Bus link (X3)

The DC bus link can be connected in parallel so that the power returned from slowing down motors is divided between all the drives that are connected to the same DC bus link circuit. Every drive must have its own power connection to mains voltage sharing the same branch, over current protection devices, even if the DC bus link is used. Drives working generatively very often should be placed beside drives, which need energy. That reduces current flow on longer distances.

NOTE The sum of the rated currents for all drives connected in parallel to an AKD2G must not exceed 48 A.
 Examples: 12S-12S-12D-12D-12D or 06D-12S-12D-06D-06D-03S-03S-03S
 Wiring: Use 6 mm² unshielded single cores with a max. length of 200 mm; use 6 mm² shielded cables for longer lengths. In this case no fuse for line protection is required.

NOTICE The drives can be destroyed if DC bus link voltages are different. Only drives with mains supply that share the same AC branch, over current protection devices (identical mains supply voltage) may have the DC bus links interconnected.
 Interconnection of DC bus links works best in systems powered by 3-phase AC or DC power. Consult Kollmorgen for DC bus linking with single phase AC power input.



- 8 pin, pitch 7.62 mm
- optional T version
- Mating connector data (→ # 48)

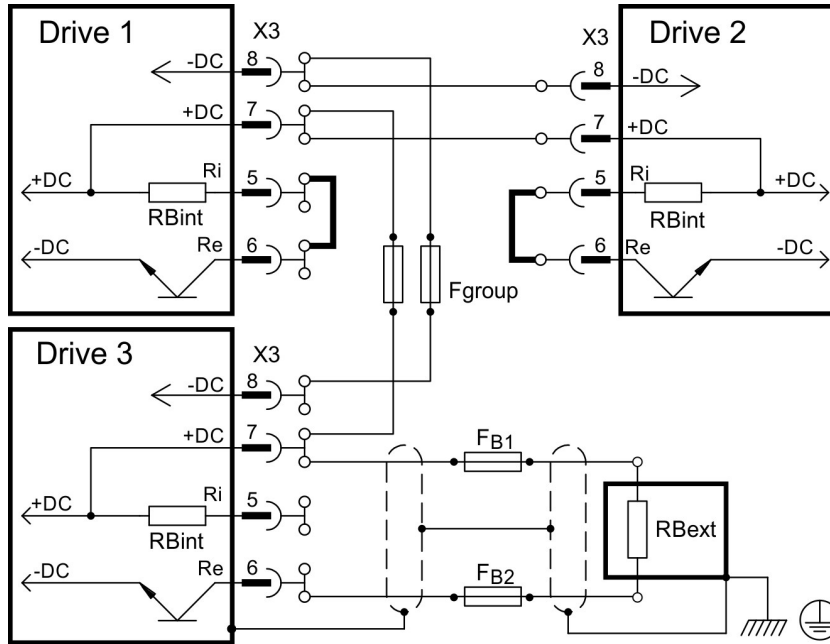
| Pin | Label | Signal | Description |
|-----|-------|--------|----------------------|
| 7 | +DC | +DC | DC Bus link positive |
| 8 | -DC | -DC | DC Bus link negative |

8.7.1 Fusing

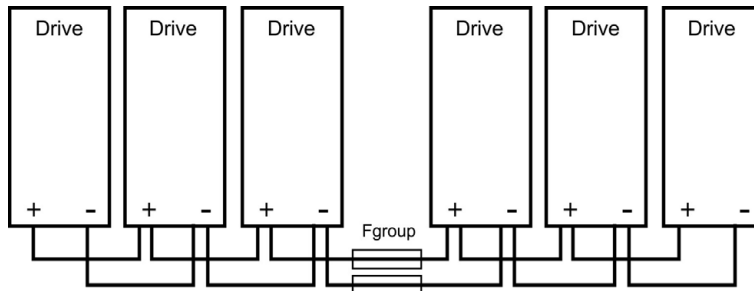
External regen fusing FB1/FB2 (→ # 78). DC bus link fusing depends on topology (see next page (→ # 77)).

| Wiring topology | Ampere rating@240V | Ampere rating@480V | UL region example Eaton: | CE Region example Mersen: |
|---------------------|--------------------|--------------------|--------------------------|---------------------------|
| AKD2G-Sxx-6V | | | | |
| Group: Fgroup | max. 30 A | na | DFJ-30 | HP6M30 |
| Busbar: Fbus | max. 15 A | na | DFJ-15 | HP6M15 |
| AKD2G-Sxx-7V | | | | |
| Group: Fgroup | max. 30 A | | FWP-30B | HP10M30 |
| Busbar: Fbus | max. 15 A | | FWP-15B | HP10M15 |

8.7.2 Wiring example with T connectors

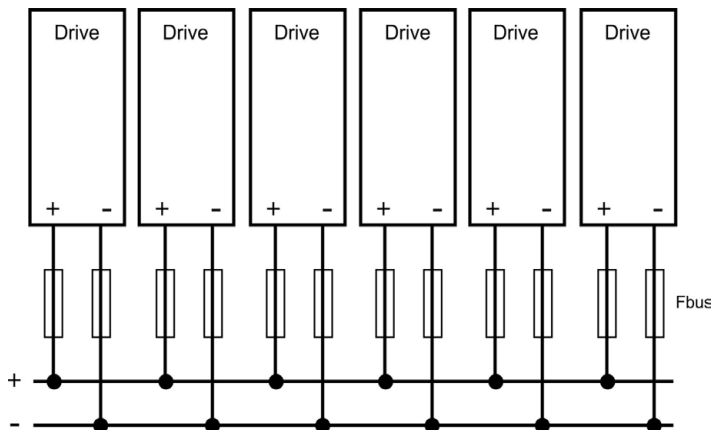


Without DC Bus fuses, other devices can become damaged or destroyed if, for example, a device fails due to an internal short circuit. If multiple drives are connected in parallel, then it is usual to insert DC Bus fuses (Fgroup) between groups of drives (with a group consisting of two or three devices, depending on the current) in order to limit any possible resulting damage. Fgroup fuses cannot avoid damage by current peaks completely.



8.7.3 Wiring example with busbar

If a device fails in this system due to a short-circuit, only its fuses (Fbus) are tripped and the rest of the network continues uninterrupted. The solid busbars can conduct significantly larger currents than T connectors, because the compensating current does not flow through the connector as above.

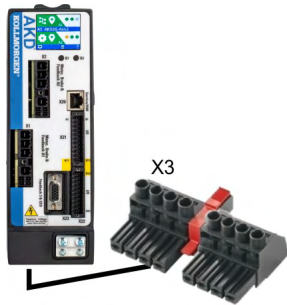


8.8 Regen resistor (X3)

For technical data on the regenerative brake circuit (→ # 37).

NOTE

Fusing (such as fusible cut-outs or power switches) to be provided by the user.



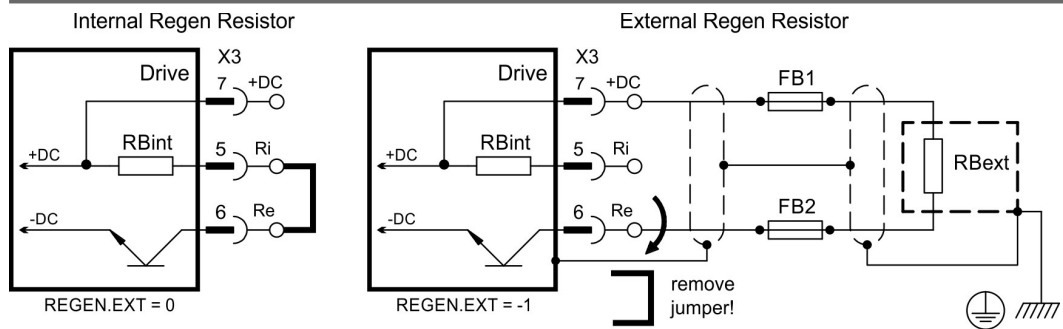
- 8 pin, pitch 7.62 mm
- optional T version
- Mating connector data (→ # 48).
- X3/5 to X3/6 must be shorted to use the built in regen resistor. Remove the jumper to connect an external regen resistor .
- Refer to the WorkBench online help for parameter setting (REGEN.EXT, REGEN.REXT, REGEN.WATTEXT)

| Pin | Label | Signal | Description |
|-----|-------|--------|---------------------------|
| 5 | Ri | RBint | internal Regen resistor |
| 6 | Re | -RB | external Regen resistor - |
| 7 | +DC | +RBext | external Regen resistor + |

8.8.1 Fusing and Wiring

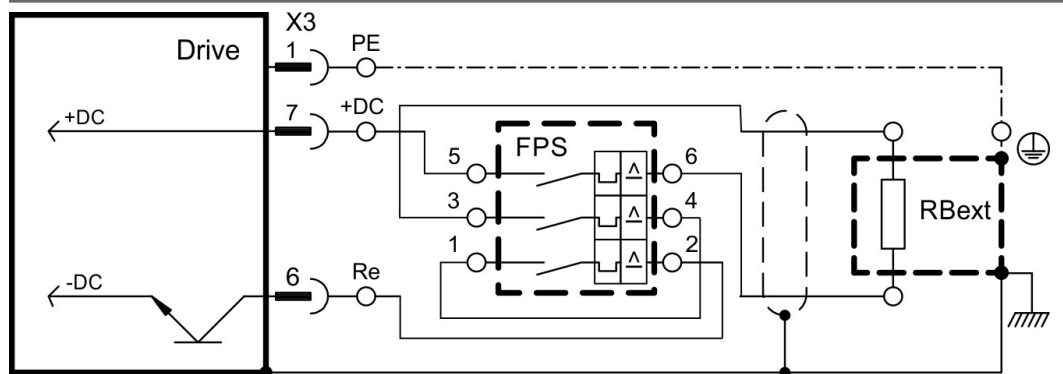
FB1 / FB2 fusing

| Drive Model | Ampere rating@240V | Ampere rating@480V | UL region example: | CE Region example: Siba |
|---------------|--------------------|--------------------|--------------------|---|
| all AKD2G-Sxx | 10A | 40A | Eaton FWP-xxA14F | 110V to 400V: gRL(gS) 400V to 480V: aR |



FPS: Frizlen DC Power Switch

| RBext | FPS | Range [In] | cable cross section |
|---------------|--------|------------|--------------------------|
| BAR(U)1500-33 | FPS-16 | 10 to 16 A | min. 2.5 mm ² |



8.9 Motor Power, Brake and Feedback connection

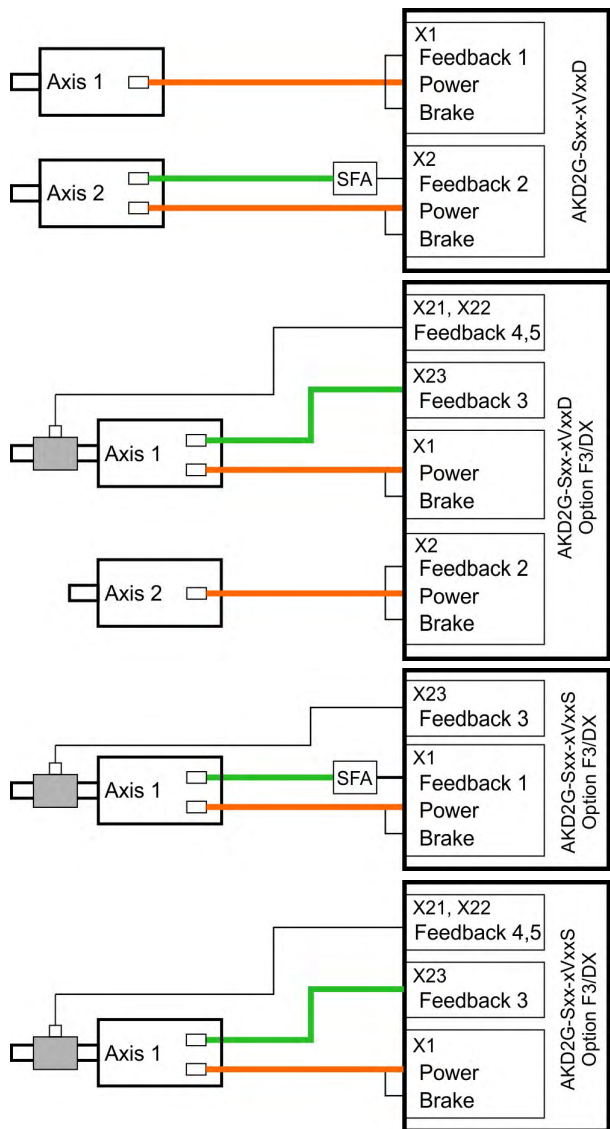
The AKD2G drive is able to protect the connected motor from overloading, if the parameters are set correctly and the thermal protection sensor is connected and supervised. With Kollmorgen motors the valid data are automatically set by the WorkBench motor database. Refer to parameter AXIS#.MOTOR.RTYPE for supported thermal sensors.

NOTICE

The dynamic voltage rise can lead to a reduction in the motor operating life and, on unsuitable motors, to flashovers in the motor winding.

- Only install motors with insulation class F (acc. to IEC60085) or above.
- Only install cables that meet the requirements (→ # 49).

8.9.1 Motor connectivity, some examples



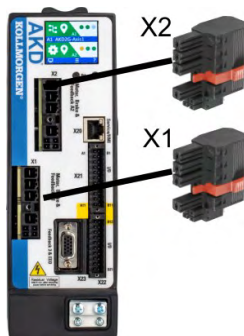
- Axis 1: single cable connection (→ # 80)
 - commutation feedback: SFD3 or DSL
- Axis 2: dual cable connection (→ # 80)
 - commutation feedback: EnDAT, HIPERFACE, Resolver etc. by using SFA
- Axis 1: dual cable connection (→ # 82)
 - commutation feedback: Resolver, SFD, EnDAT, HIPERFACE, BiSS, SinCos, ComCoder, Hall, SmartAbs etc. by using X23
 - position feedback:
 - X21: Step/Direction
 - X22: Step/Direction or incremental encoder
- Axis 2: single cable connection (→ # 80)
 - commutation feedback: SFD3 or DSL
- Axis 1: dual cable connection (→ # 82)
 - commutation feedback: EnDAT, HIPERFACE, Resolver etc. by using SFA
 - position feedback: Resolver, SFD, EnDAT, HIPERFACE, BiSS, SinCos, ComCoder, Hall, SmartAbs etc. by using X23
- Axis 1: dual cable connection (→ # 82)
 - commutation feedback: Resolver, SFD, EnDAT, HIPERFACE, BiSS, SinCos, ComCoder, Hall, SmartAbs etc. by using X23
 - position feedback:
 - X21: Step/Direction
 - X22: Step/Direction or incremental encoder

8.9.2 Motor single cable connection

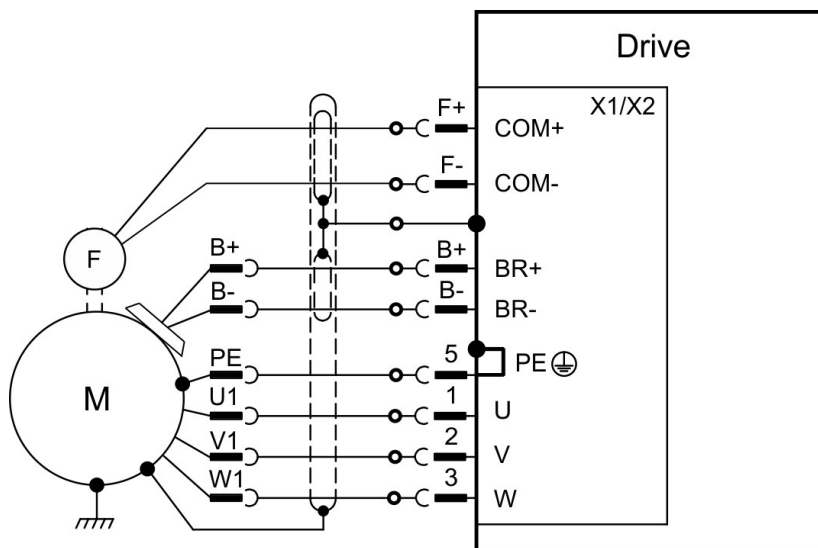
Motors with two wire feedback systems like SFD3 or Hiperface DSL can be connected to AKD2G by using a single Kollmorgen hybrid cable. Depending on the AKD2G version (single or dual axis), one or two single cable motor connections are possible.

| Drive type | Commutation Axis 1 | Commutation Axis 2 | Velocity/Position loop closure | | | |
|-----------------------------|--------------------|--------------------|--------------------------------|-----|-----|-----|
| | | | X21 | X22 | X23 | |
| Single axis standard | X1 | - | - | X21 | - | - |
| Single axis with Option I/O | X1 | - | - | X21 | X22 | - |
| Single axis with Option F3 | X1 | - | - | X21 | - | X23 |
| Single axis with Option DX | X1 | - | - | X21 | X22 | X23 |
| Dual axis standard | X1 | X2 | - | X21 | X22 | - |
| Dual axis with Option DX | X1 | X2 | - | X21 | X22 | X23 |

8.9.2.1 Motor Power, Brake and Feedback connectors X1, X2



- X1 (Feedback 1) / X2 (Feedback 2)
 - Motor Power: 4 pin, pitch 7.62 mm
 - Motor Brake: 2 pin, pitch 3.81 mm
 - Motor Feedback: 2 pin, pitch 3.81 mm
- Cable length: (→ # 49)
- Use Kollmorgen cables
- Mating connector data (→ # 48).
- Feedback types: SFD3, HIPERFACE DSL
 - Rated voltage 11 V.
 - Rated current is 350 mA simultaneously for X1 and X2.



Pinout is identical for connectors X1 and X2.

| Pin | Signal | Description |
|-----|--------|---|
| 1 | U | Motor phase U |
| 2 | V | Motor phase V |
| 3 | W | Motor phase W |
| 5 | PE | Protective earth |
| B+ | BR+ | Brake positive line (safety notes and details (→ # 84)) |
| B- | BR- | Brake negative line (safety notes and details (→ # 84)) |
| F+ | COM+ | SFD3, HIPERFACE DSL |
| F- | COM- | |

8.9.2.2 Feedback connectors X21, X22, X23

- Velocity/Position loop closing
- Use Kollmorgen cables
- Mating connector data (→ # 48).
- Cable length: (→ # 49)

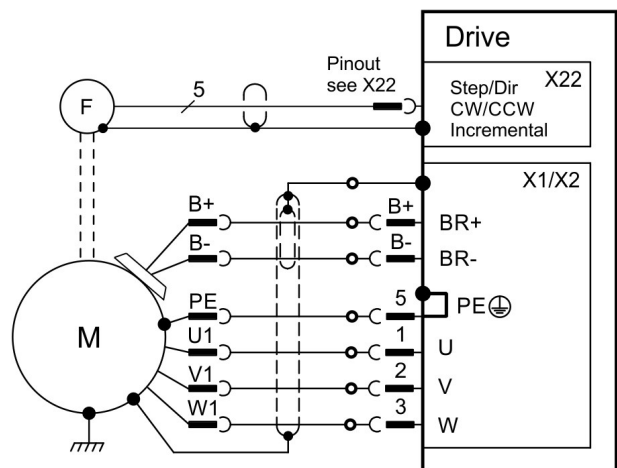
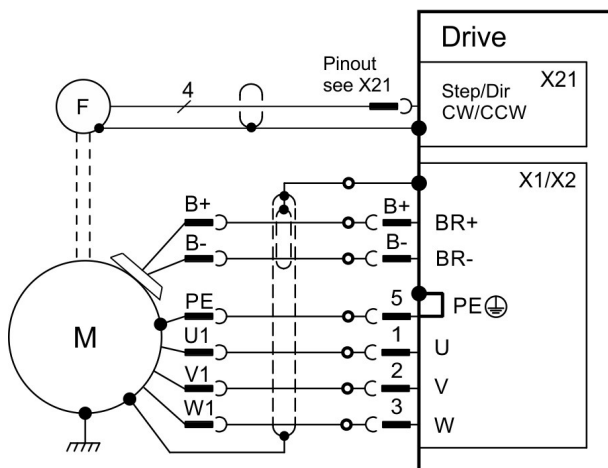
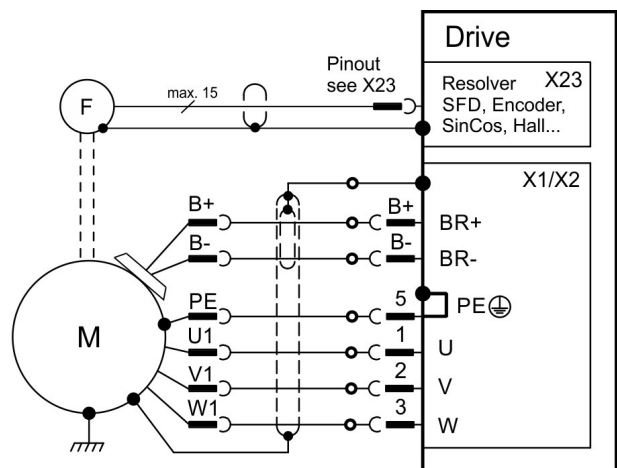
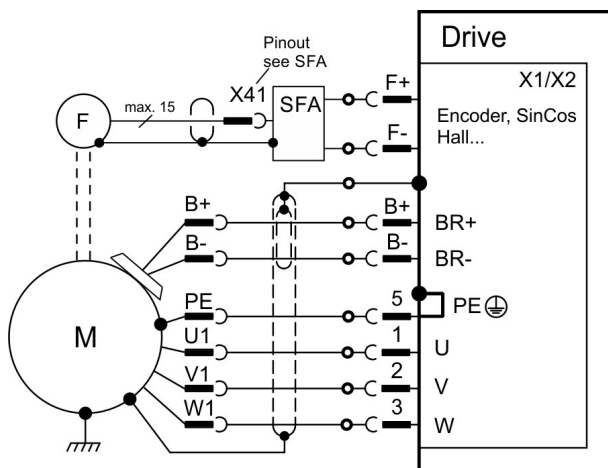
| Connector | Functionality | Pinout, Wiring |
|-----------|---|----------------|
| X21 | Step/Direction, CW/CCW | (→ # 88) |
| X22 | Step/Direction, CW/CCW, Incr.Encoder, EnDAT, BiSS | (→ # 89) |
| X23 | Several conventional feedback types | (→ # 90) |

8.9.3 Motor dual cable connection

Motors with conventional commutation feedback systems like resolver or sine encoder can be connected to AKD2G with separated power/brake and feedback cables. Feedback functions are assigned with parameters in WorkBench. Scaling and other settings are performed in WorkBench, too. Velocity / Position loop closing and electronic gearing / master-slave connection are possible by using X21, X22, X23 depending on the drive version and physical restrictions.



- X1 (Feedback 1) / X2 (Feedback 2)
 - Motor Power: 4 pin, pitch 7.62 mm
 - Motor Brake: 2 pin, pitch 3.81 mm
 - SFA connection: 2 pin, pitch 3.81 mm
 - Feedback types: see SFA connectivity (→ # 91)
- X23 (Feedback 3)
 - SubD HD 15 poles
 - Feedback types: see X23 connectivity (→ # 90)
- X21 (Feedback 4)
 - 2 x 11 pins (left connector A, right connector B)
 - Feedback types: see X21 connectivity (→ # 88)
- X22 (Feedback 5)
 - 2 x 10 pins (left connector A, right connector B)
 - Feedback types: see X22 connectivity (→ # 89)
- Mating connector data (→ # 48).



8.9.3.1 Motor power and motor brake connectors X1, X2

Usually these lines are part of the Kollmorgen motor cable connected to X1 or X2. For motor brake safety notes and functional details (→ # 84).

- Use Kollmorgen cables
- Mating connector data (→ # 48).
- Cable length: (→ # 49)

| Pin | Signal | Description |
|-----|--------|---|
| 1 | U | Motor phase U |
| 2 | V | Motor phase V |
| 3 | W | Motor phase W |
| 5 | PE | Protective earth |
| B+ | BR+ | Brake positive, with Kollmorgen cables only |
| B- | BR- | Brake negative, with Kollmorgen cables only |

8.9.3.2 Feedback connectors X1, X2, X41, X21, X22, X23

- Use Kollmorgen cables
- Mating connector data (→ # 48).
- Cable length: (→ # 49)
- For feedback connection overview (→ # 86)

| Connector | Functionality | Pinout, Wiring |
|-----------|---|----------------|
| X1/X2 | SFD3, DSL, SFA | (→ # 87) |
| X41 | SFA at X1 or X2 , several conventional feedback types | (→ # 91) |
| X21 | Step/Direction, CW/CCW | (→ # 88) |
| X22 | Step/Direction, CW/CCW, Incr. Encoder, EnDAT, BiSS | (→ # 89) |
| X23 | Several conventional feedback types | (→ # 90) |

Feedback connector X1, X2, X41

Conventional feedback systems can be connected to X1 or X2 by using the optional feedback adapter SFA. SFA offers the additional connector X41.

- Connector X1 is a standard connector. Input for SFD3, DSL, or SFA.
- Connector X2 is standard for dual-axis drives. Input for SFD3, DSL, or SFA.
- SFA: adapter for several conventional feedback types

Feedback connector X21

- Connector X21 is a standard connector.
- Input for Step/Direction and CW/CCW.

Feedback connector X22

- Connector X22 is standard connector for dual-axis drives.
- Connector X22 is part of option DX or IO for single axis drives.
- Input for Step/Direction, CW/CCW, Incremental encoder

Feedback connector X23

- Connector X23 is part of option DX or F3.
- Input for several conventional feedback types.

8.9.4 Motor Holding Brake Connection

A 24 V holding brake in the motor can be controlled directly by the drive. For proper function, check voltage drop, measure voltage at brake input and check brake function (on and off).

Brake voltage supply by using 24 V ±10% auxiliary voltage supply of the drive on X10. Minimum and maximum brake current see Electrical Data (→ # 34) respectively (→ # 36).

AKD2G offers motor brake outputs on connectors X1 and X2. The outputs can be mapped to the required axis with WorkBench.

| Connector | Usable for |
|-----------|--|
| X1 | Primary motor brake axis 1 or secondary brake for axis 2 |
| X2 | Primary motor brake axis 2 or secondary brake for axis 1 |



WARNING No functional Safety!

Serious injury could result when the load is not properly blocked. The internal brake function does not ensure functional safety.

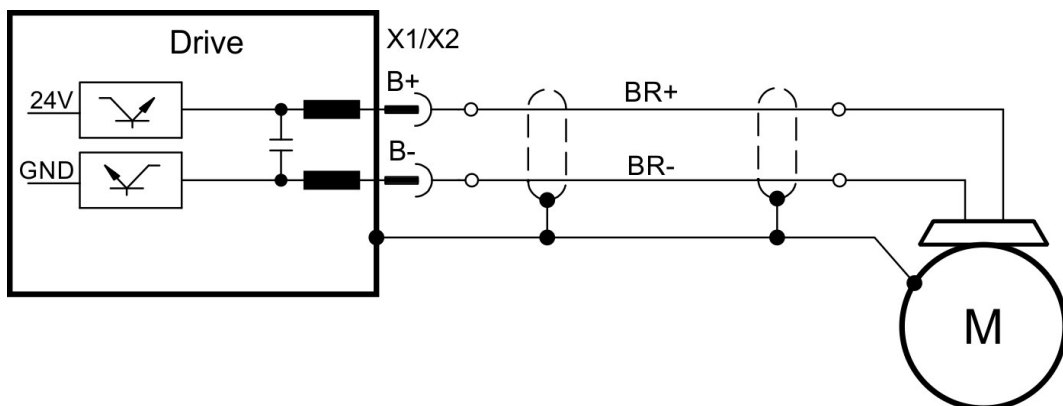
- Functional safety, e.g. with hanging load (vertical axes), requires an additional brake, controlled e.g. from the other axis or externally from a safety controller. The brakes can be mapped to an axis with WorkBench.
- The Hardware Enable does not initiate a controlled stop but switches off the power stage immediately.
- Set parameter `AXIS#.MOTOR.BRAKEIMM` to 1 with vertical axes, to apply the brake immediately after faults or Hardware Disable.

Pinout X1 / X2

| Pin | Signal | Description |
|-----|--------|---------------------|
| B+ | BR+ | Brake positive line |
| B- | BR- | Brake negative line |

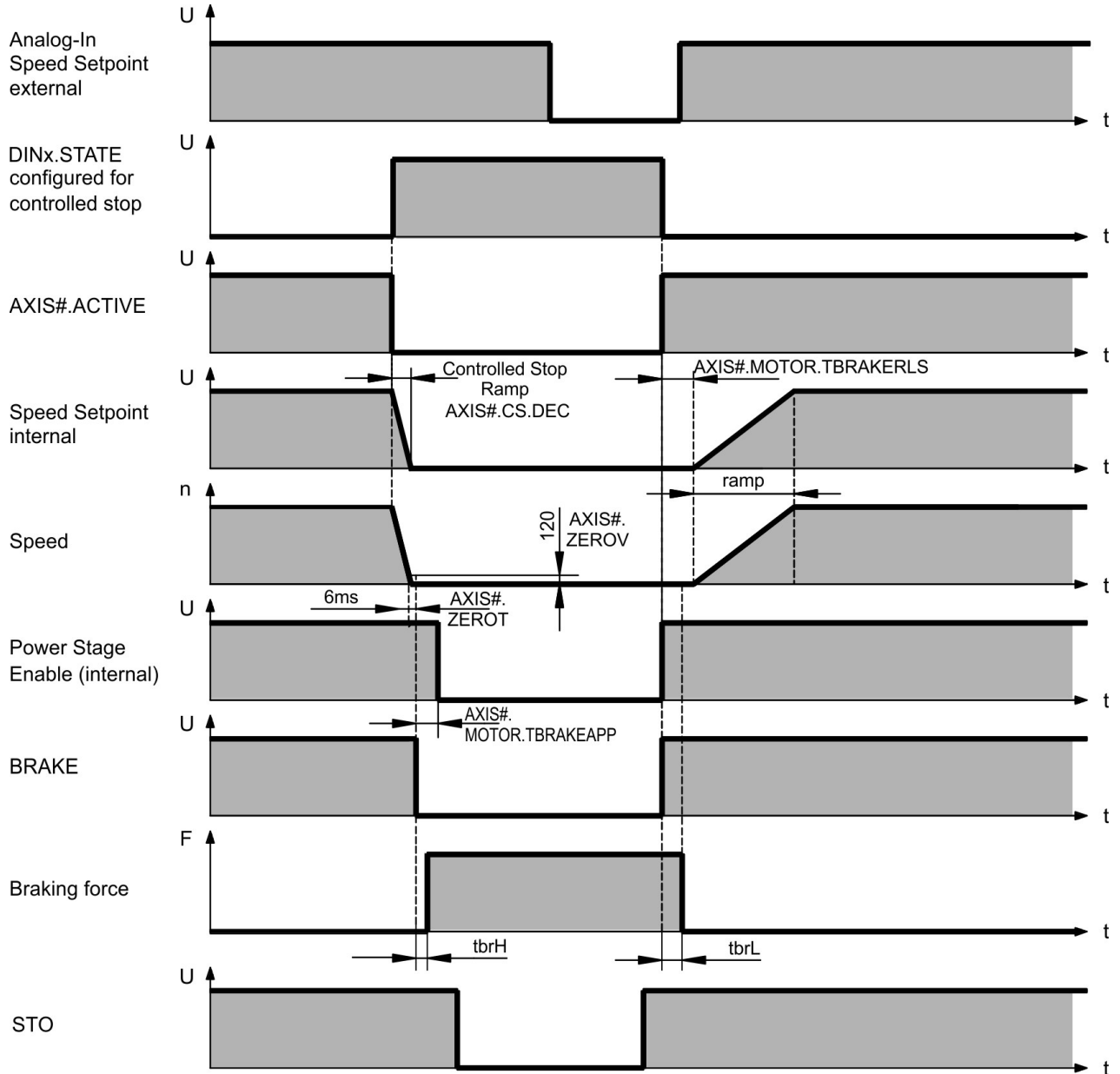
Wiring

Usually the brake lines are part of the Kollmorgen hybrid single cable connection to X1 respectively X2 (→ # 80).



Functionality

The brake function must be enabled through a parameter. The diagram below shows the timing and functional relationships between the controlled stop signal, speed, and braking force. All values can be adjusted with parameters; values in the diagram are default values.



The drive speed setpoint is internally driven down an adjustable ramp (AXIS#.CS.DEC) to 0 V.

With default values the output for the brake is switched on when the speed has reached 5 rpm (AXIS#.ZEROV) for at least 6 ms (AXIS#.ZEROT). The rise (t_{brH}) and fall (t_{brL}) times of the holding brake that is built into the motor are different for the various types of motor.

8.9.5 Feedback Connection

AKD2G offers up to five feedback channels. These channels can serve

- to commute the motor (single cable (→ # 80) or dual cable (→ # 84)),
- to close the velocity and/or position loops, and
- to act as a command source (electronic gearing, flying sheer, master-slave (→ # 92)).

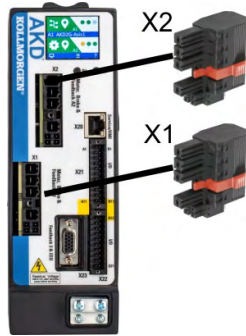
The usage of the five channels may be freely configured in software, subject only to a few restrictions that are not physically sensible.

- Exactly one feedback channel per axis can commute the motor.
- At most one feedback channel per axis can serve as the command source and the same feedback channel cannot also commute the motor.
- A feedback channel can serve as the command source for more than one axis.
- FB1 cannot commute axis 2. FB2 cannot commute axis 1.

| Feedback channel | Connector | Usable for | Pinout |
|------------------|-----------|--|----------|
| Feedback 1 | X1 | Axis 1: commutation feedback | (→ # 87) |
| | X41 | Axis 1 by using SFA on X1: commutation feedback | (→ # 91) |
| Feedback 2 | X2 | Axis 2: commutation feedback | (→ # 87) |
| Feedback 2 | X41 | Axis 2 by using SFA on X2: commutation feedback | (→ # 91) |
| Feedback 3 | X23 | commutation feedback, velocity/position, command | (→ # 90) |
| Feedback 4 | X21 | commutation feedback, velocity/position, command | (→ # 88) |
| Feedback 5 | X22 | commutation feedback, velocity/position, command | (→ # 89) |

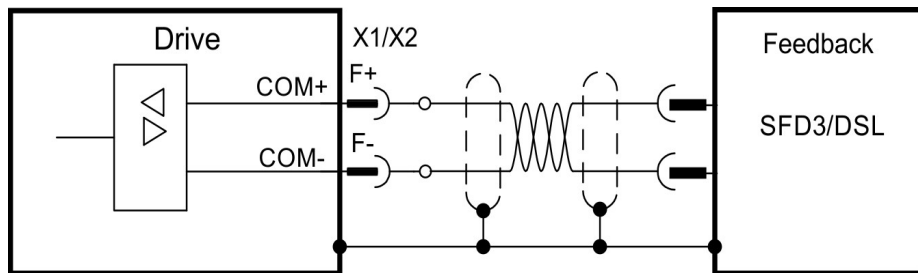
| Feedback Types | Connectors |
|---------------------------------------|--------------------|
| SFD3 | X1, X2 |
| Encoder HIPERFACE DSL | X1, X2 |
| Resolver | X23, X41 |
| SFD | X23, X41 |
| SinCos Encoder BiSS B (analog) | X22, X23, X41 |
| Encoder BiSS C (digital) | X22, X23 |
| SinCos Encoder EnDat 2.1 | X23, X41 |
| Encoder EnDat Digital 2.2 | X22, X23, X41 |
| Encoder HIPERFACE | X23, X41 |
| Sine Encoder | X23, X41 |
| Sine Encoder + Hall | X23, X41 |
| Incremental Encoder | X22, X23, X41 |
| Incremental Encoder + Hall (Comcoder) | X23, X41 |
| Hall Sensors | X23, X41 |
| Step/Direction | X21, X22, X23, X41 |
| CW/CCW | X21, X22, X23, X41 |

8.9.5.1 Feedback Connector X1, X2

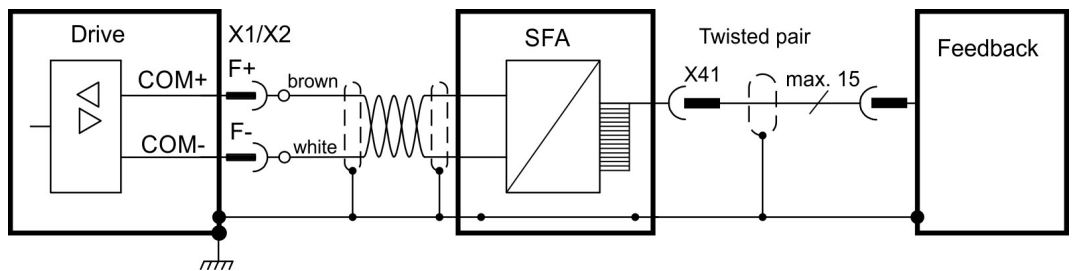


- 4 pin, pitch 7.62 mm plus 2x2 pin pitch 3.81 mm
- Input for commutation feedback: SFD3, DSL, SFA

Wiring example SFD3 or HIPERFACE DSL



Wiring example conventional Feedback types with SFA

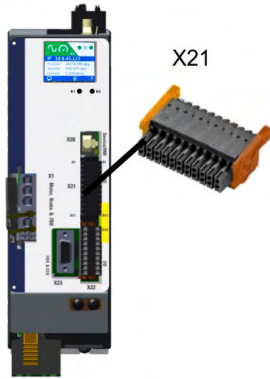


Electrical data

- Rated voltage 11 V.
- Rated current is 350 mA simultaneously for X1 and X2.

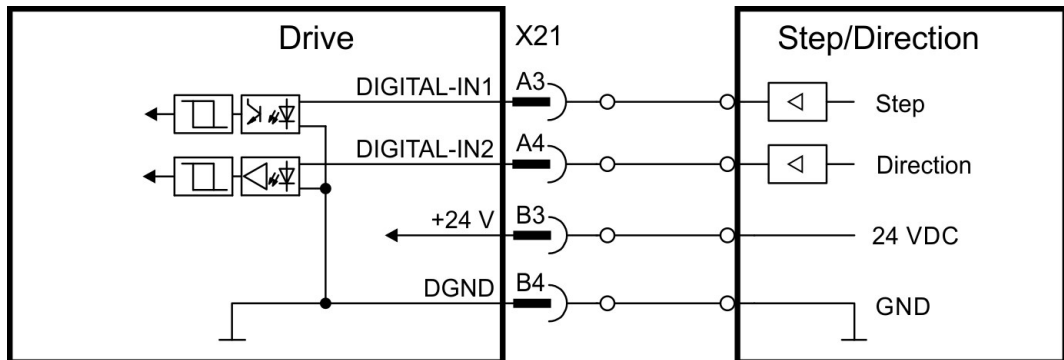
| Pin | Signal | Description |
|-----|--------|--------------------------------|
| F+ | COM+ | SFD3 +, HIPERFACE DSL +, SFA + |
| F- | COM- | SFD3 -, HIPERFACE DSL -, SFA - |

8.9.5.2 Feedback Connector X21



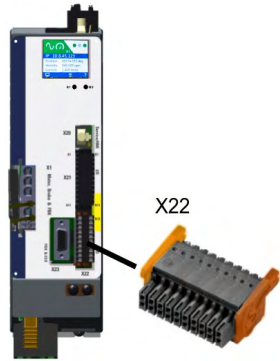
- 2 x 11 pins (left connector A, right connector B), pitch 3.5 mm
- Fast input, isolated, sink, type EN 61131-2 type 1
- Input for commutation or position feedback.
- Input for Electronic Gearing, (→ # 92)
- Mating connector data (→ # 48).

Wiring example



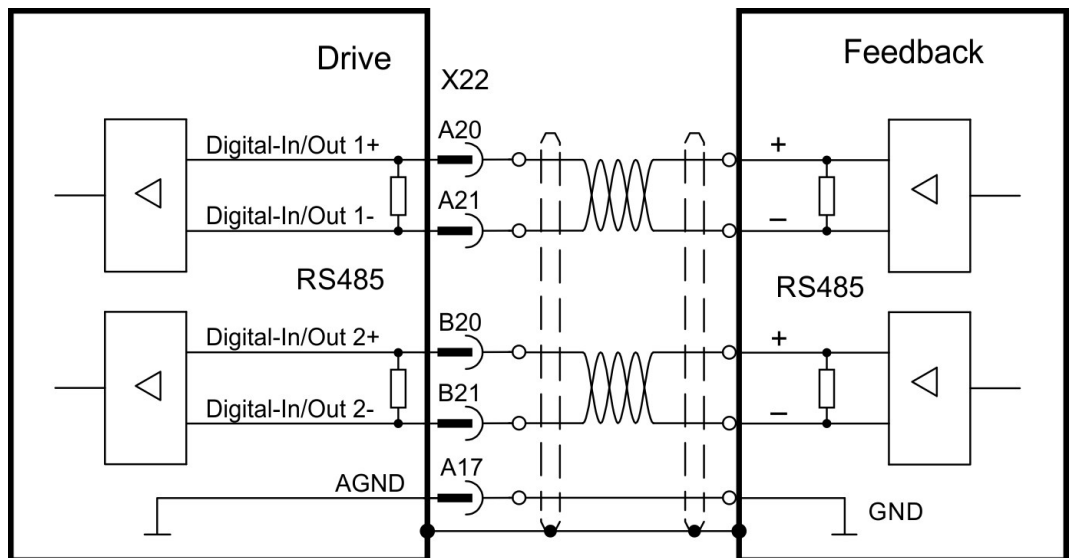
| X21 Pin | Step/Direction | CW/CCW |
|---------|----------------|---------------|
| A3 | Step | CW |
| A4 | Direction | CCW |
| B3 | 24 VDC | 24 VDC |
| B4 | Common (DGND) | Common (DGND) |

8.9.5.3 Feedback Connector X22



- Standard for dual axis drives, (→ # 27), optional for single axis drives
- 2 x 10 pins (left connector A, right connector B), pitch 3.5 mm
- RS485 inputs
- Input for commutation or position feedback.
- Input for Electronic Gearing, (→ # 92)
- Output for encoder emulation (EEO2), (→ # 92)
- Mating connector data (→ # 48).

Wiring example (Input)



EEO output connection is similar.

| X22 Pin | Step / Direction | CW / CCW | Increm. Encoder | BiSS B / C | EnDAT 2.2 |
|---------|------------------|----------|-----------------|------------|-----------|
| A20 | Step + | CW + | Track A + | CLK+ | CLK+ |
| A21 | Step - | CW - | Track A - | CLK- | CLK- |
| B20 | Direction + | CCW + | Track B + | DAT+ | DAT+ |
| B21 | Direction - | CCW - | Track B - | DAT- | DAT- |
| A17 | AGND | AGND | AGND | AGND | AGND |

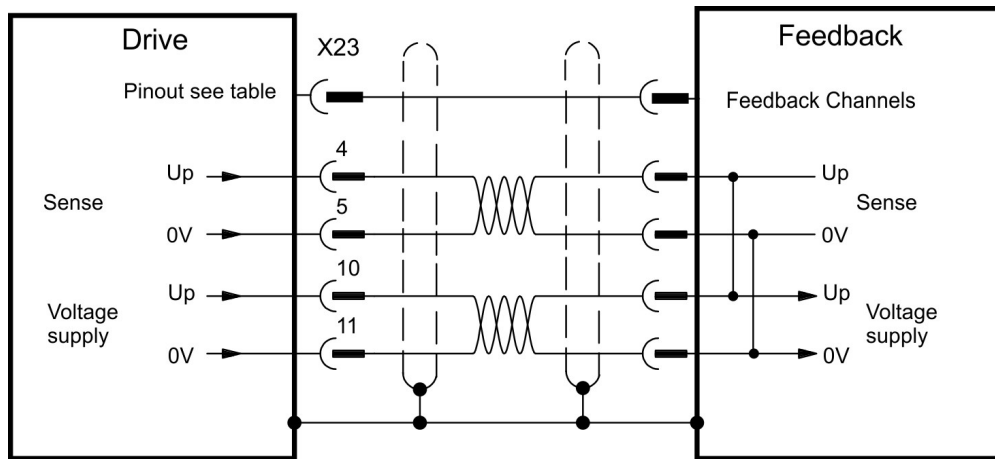
NOTE

Feedback power supply must be supplied and controlled by the user.

8.9.5.4 Feedback Connector X23



- Connectivity Option F3 or DX (→ # 27)
- Sub-D high density 15 pin, female
- Use Kollmorgen feedback cables
- Input for several feedback types
- Input for Electronic Gearing, (→ # 92)
- Output for encoder emulation (EEO1), (→ # 92)
- Digital input (→ # 107), Digital output (→ # 111)
- Mating connector data (→ # 48).



Encoder power supply (X23 pins 10/11):

- Maximum voltage 9 V with shorted sense contacts (4/5), rated voltage 5 V +/-5%.
- Rated supply current is 350 mA.
- Voltage rise time ~4 ms with full load and 220 µF of capacitance.
- Encoder power lines capacitance 10 µF to 220 µF

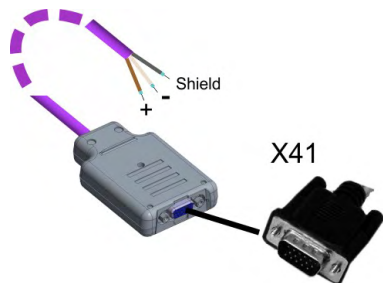
| X23 Pin | SFD | Resolver | BiSS B | BiSS C | EnDat 2.1 | EnDat 2.2 | HIPER-FACE | Sine/ Cos | Sine/ Cos +Hall | Incr. Enc. | Incr. Enc. +Hall | Hall | Step/ Dir | CW/ CCW |
|---------|------|----------|--------|--------|-----------|-----------|------------|-----------|-----------------|------------|------------------|--------|-----------|---------|
| 1 | - | - | - | - | - | - | - | - | Hall U | - | Hall U | Hall U | - | - |
| 2 | - | - | CLK+ | CLK+ | CLK+ | CLK+ | - | - | Hall V | - | Hall V | Hall V | - | - |
| 3 | - | - | CLK- | CLK- | CLK- | CLK- | - | - | Hall W | - | Hall W | Hall W | - | - |
| 4 | SEN+ | - | SEN+ | SEN+ | SEN+ | SEN+ | SEN+ | SEN+ | SEN+ | SEN+ | SEN+ | SEN+ | - | - |
| 5 | SEN- | - | SEN- | SEN- | SEN- | SEN- | SEN- | SEN- | SEN+ | SEN+ | SEN+ | SEN+ | - | - |
| 6 | COM+ | R1 Ref+ | DAT+ | DAT+ | DAT+ | DAT+ | DAT+ | Zero+ | Zero+ | Zero+ | Zero+ | - | - | - |
| 7 | COM- | R2 Ref- | DAT- | DAT- | DAT- | DAT- | DAT- | Zero- | Zero- | Zero- | Zero- | - | - | - |
| 8 | - | Th+ | Th+ | - | Th+ | - | Th+ | Th+ | Th+ | Th+ | Th+ | Th+ | Th+ | Th+ |
| 9 | - | Th- | Th- | - | Th- | - | Th- | Th- | Th- | Th- | Th- | Th- | Th- | Th- |
| 10 | +5 V | - | +5 V | +5 V | +5 V | +5 V | +5 V | +5 V | +5 V | +5 V | +5 V | +5 V | +5 V | +5 V |
| 11 | 0 V | - | 0 V | 0 V | 0 V | 0 V | 0 V | 0 V | 0 V | 0 V | 0 V | 0 V | 0 V | 0 V |
| 12 | - | S1 SIN+ | A+ | - | A+ | - | SIN+ | A+ | A+ | A+ | A+ | - | Step+ | CW+ |
| 13 | - | S3 SIN- | A- | - | A- | - | SIN- | A- | A- | A- | A- | - | Step- | CW- |
| 14 | - | S2 COS+ | B+ | - | B+ | - | COS+ | B+ | B+ | B+ | B+ | - | Dir+ | CCW+ |
| 15 | - | S4 COS- | B- | - | B- | - | COS- | B- | B- | B- | B- | - | Dir- | CCW- |

CLK = CLOCK, DAT = DATA, SEN = SENSE, Th = Thermal control

8.9.5.5 Feedback Connector X41 (SFA, accessory)

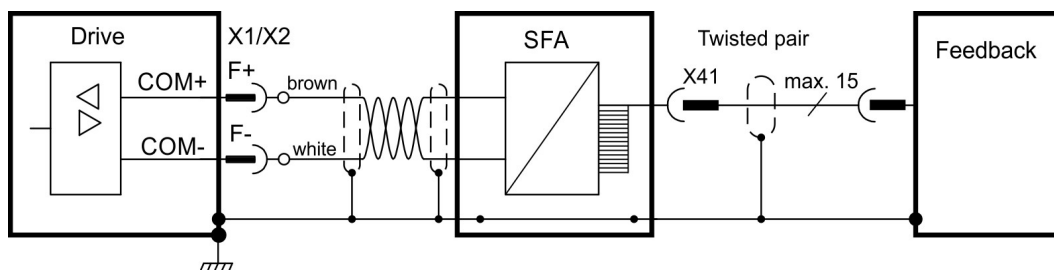
SFA (Smart Feedback Adapter) converts conventional feedback signals to a 2-wire serial signal. SFA can be laid into the cable duct or may be mounted to a DIN rail using a standard DIN rail clip.

SFA adds a 15 pole HD SubD female connector X41 to the system for connection of a Kollmorgen motor feedback cable (see *Kollmorgen 2G Cable Guide*). Dimensions (LxWxD): 88.6 x 55.6 x 21.2 (28.6 with rail clip). Order codes see regional Accessories Manual.



- Sub-D high density 15 pin, female
- 1 m shielded cable with 3 flying leads for connection to X1 or X2
- The cable shield is connected with cable ties to the X1/X2 shield plates (cut-off the unused shield wire).
- Connected feedback must be set in WorkBench
- Use Kollmorgen feedback cables
- Input for Electronic Gearing, (→ # 92)
- Output for encoder emulation (EEO3/EEO4), (→ # 92)
- Master-Slave (→ # 94)

Connect the flying leads of the SFA cable to X1 (FB1, EEO3) or X2 (FB2, EEO4) :

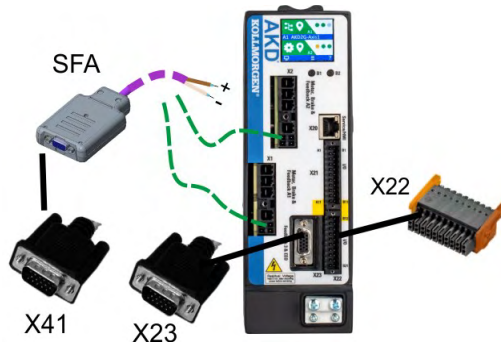


Operating Voltage: 7 V to 12 V, Maximum Load Current: 350 mA

| X41 Pin | SFD | Resol-ver | BiSS B | EnDat 2.1 | EnDat 2.2 | HIPER-FACE | Sine/ Cos | Sine/ Cos +Hall | Incr. Enc. | Incr. Enc. +Hall | Hall | Step/ Dir | CW/ CCW |
|---------|------|-----------|--------|-----------|-----------|------------|-----------|-----------------|------------|------------------|--------|-----------|---------|
| 1 | - | - | - | - | - | - | - | Hall U | - | Hall U | Hall U | - | - |
| 2 | - | - | CLK+ | CLK+ | CLK+ | - | - | Hall V | - | Hall V | Hall V | - | - |
| 3 | - | - | CLK- | CLK- | CLK- | - | - | Hall W | - | Hall W | Hall W | - | - |
| 4 | SEN+ | - | SEN+ | SEN+ | SEN+ | SEN+ | SEN+ | SEN+ | SEN+ | SEN+ | - | - | - |
| 5 | SEN- | - | SEN- | SEN- | SEN- | SEN- | SEN- | SEN+ | SEN+ | SEN+ | - | - | - |
| 6 | COM+ | R1 Ref+ | DAT+ | DAT+ | DAT+ | DAT+ | Zero+ | Zero+ | Zero+ | Zero+ | - | - | - |
| 7 | COM- | R2 Ref- | DAT- | DAT- | DAT- | DAT- | Zero- | Zero- | Zero- | Zero- | - | - | - |
| 8 | - | Th+ | Th+ | Th+ | - | Th+ | Th+ | Th+ | Th+ | Th+ | Th+ | Th+ | Th+ |
| 9 | - | Th- | Th- | Th- | - | Th- | Th- | Th- | Th- | Th- | Th- | Th- | Th- |
| 10 | +5 V | - | +5 V | +5 V | +5 V | +5 V | +5 V | +5 V | +5 V | +5 V | +5 V | +5 V | +5 V |
| 11 | 0 V | - | 0 V | 0 V | 0 V | 0 V | 0 V | 0 V | 0 V | 0 V | 0 V | 0 V | 0 V |
| 12 | - | S1 SIN+ | A+ | A+ | - | SIN+ | A+ | A+ | A+ | A+ | - | Step+ | CW+ |
| 13 | - | S3 SIN- | A- | A- | - | SIN- | A- | A- | A- | A- | - | Step- | CW- |
| 14 | - | S2 COS+ | B+ | B+ | - | COS+ | B+ | B+ | B+ | B+ | - | Dir+ | CCW+ |
| 15 | - | S4 COS- | B- | B- | - | COS- | B- | B- | B- | B- | - | Dir- | CCW- |

CLK = CLOCK, DAT = DATA, SEN = SENSE, Th = Thermal control

8.10 EEO, Electronic Gearing, Master-Slave



AKD2G offers up to 5 feedback channels, which may be used as the command source (input) for electronic gearing or master-slave or for EEO (Emulated Encoder Output).

| Feedback channel | EEO channel | Connector | Pinout and wiring example | Parameter to configure the sensor type |
|------------------|-------------|-----------|---------------------------|--|
| Feedback 1 | EEO3 | X1 | (→ # 87) | FB1.SELECT |
| | | X41 | (→ # 91) | |
| Feedback 2 | EEO4 | X2 | (→ # 87) | FB2.SELECT |
| | | X41 | (→ # 91) | |
| Feedback 3 | EEO1 | X23 | (→ # 90) | FB3.SELECT |
| Feedback 4 | n/a | X21 | (→ # 88) | FB4.SELECT |
| Feedback 5 | EEO2 | X22 | (→ # 89) | FB5.SELECT |

8.10.1 Emulated Encoder Output (EEO)

The drive calculates the motor shaft position from the cyclic- absolute signals of the commutation feedback, generating incremental-encoder compatible pulses or CW/CCW signals or Pulse/Direction signals from this information.

The resolution and the index (zero) position can be set in WorkBench. The outputs are driven from an internal supply voltage. Refer to the WorkBench Online Help for more information.

NOTE

When using a multispeed resolver (more than 2 poles) as commutation feedback, the EEO will create only one zero pulse per each mechanical revolution of the motor. The zero pulse is dependent on the motors starting position!

NOTICE

EEO1-4 are NOT compatible with 24V signal level! Will be damaged if connected to +24V!

Technical characteristics X22, EEO2

Pulse outputs on the connector X22 are 2 signals, tracks A and B, with 90° phase difference (i.e. in quadrature, hence the alternative term “AquadB” output).

- RS-485, current 100 mA
- Max. number of connected slaves is determined by the loading characteristics of the slaves. 32 slaves can be driven if the input impedance of the bias network is 10kΩ and only one slave has a DC termination resistor.
- Max signal (channel) output frequency: 3 MHz
- The pulses per revolution value is settable, pulse phase shift: 90°±20°

| X22 | Signals EEO2 | Description |
|-----|--------------|---------------------------------|
| A17 | AGND | Analog ground |
| A20 | Track A+ | EEO2 output, channel A positive |
| A21 | Track A- | EEO2 output, channel A negative |
| B20 | Track B+ | EEO2 output, channel B positive |
| B21 | Track B- | EEO2 output, channel B negative |

Technical characteristics X23, EEO1

Pulse outputs on the SubD connector X23 are 3 signals, A, B and Index, with 90° phase difference (i.e. AquadB), with a zero pulse.

- 5V TTL, current 60 mA
- Max. number of connected slaves is determined by the loading characteristics of the slaves, 32 slaves can be driven if the input impedance of the bias network is 10kΩ and only one slave has a DC termination resistor.
- Max signal (channel) output frequency: 3 MHz
- The pulses per revolution value is settable, pulse phase shift: 90°±20°

| X23 | Signals EEO1 | Description |
|-----|--------------|---------------------------------|
| 6 | Zero+ | EEO1 output, index positive |
| 7 | Zero- | EEO1 output, index negative |
| 11 | 0 V | EEO1 output, ground |
| 12 | Track A+ | EEO1 output, channel A positive |
| 13 | Track A- | EEO1 output, channel A negative |
| 14 | Track B+ | EEO1 output, channel B positive |
| 15 | Track B- | EEO1 output, channel B negative |

Technical characteristics X41 (SFA), EEO3/EEO4

Pulse outputs on the SubD connector X41 are 3 signals, A, B and Index, with 90° phase difference (i.e. "AquadB"), with a zero pulse.

If SFA is connected to X1, the logical output is EEO3.

If SFA is connected to X2 or X5, the logical output is EEO4.

- 5V TTL, current 60 mA
- Max. number of connected slaves is determined by the loading characteristics of the slaves, 32 slaves can be driven if the input impedance of the bias network is 10kΩ and only one slave has a DC termination resistor.
- Max signal (channel) output frequency: 3 MHz
- The pulses per revolution value is settable, pulse phase shift: 90°±20°

| X41 | Signals EEO3/EEO4 | Description |
|-----|-------------------|--------------------------------------|
| 6 | Zero+ | EEO3/EEO4 output, index positive |
| 7 | Zero- | EEO3/EEO4 output, index negative |
| 11 | 0 V | EEO3/EEO4 output, ground |
| 12 | Track A+ | EEO3/EEO4 output, channel A positive |
| 13 | Track A- | EEO3/EEO4 output, channel A negative |
| 14 | Track B+ | EEO3/EEO4 output, channel B positive |
| 15 | Track B- | EEO3/EEO4 output, channel B negative |

8.10.2 Electronic Gearing

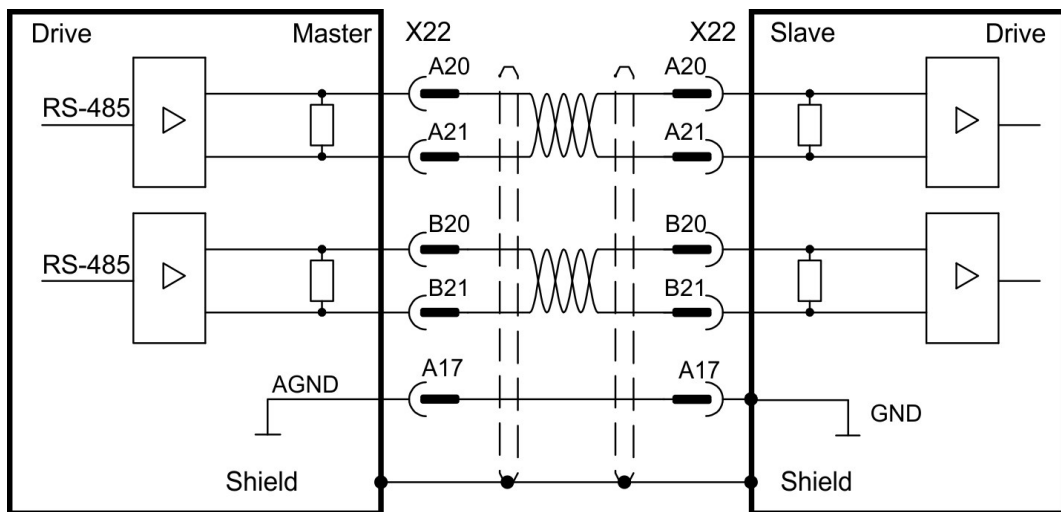
AKD2G offers up to 5 feedback channels. Any of these channels may be used as the gearing command source. The gearing source is selected for each axis using `AXIS#.GEAR.FBSOURCE`. Refer to the WorkBench Online Help for more information.

8.10.3 Master-Slave control

Several AKD2G can be connected as slave drives to another AKD2G which acts as a master. The slave drives use the master's encoder output signal (EEO, (→ # 92)) as command input and follow these commands (velocity and direction).

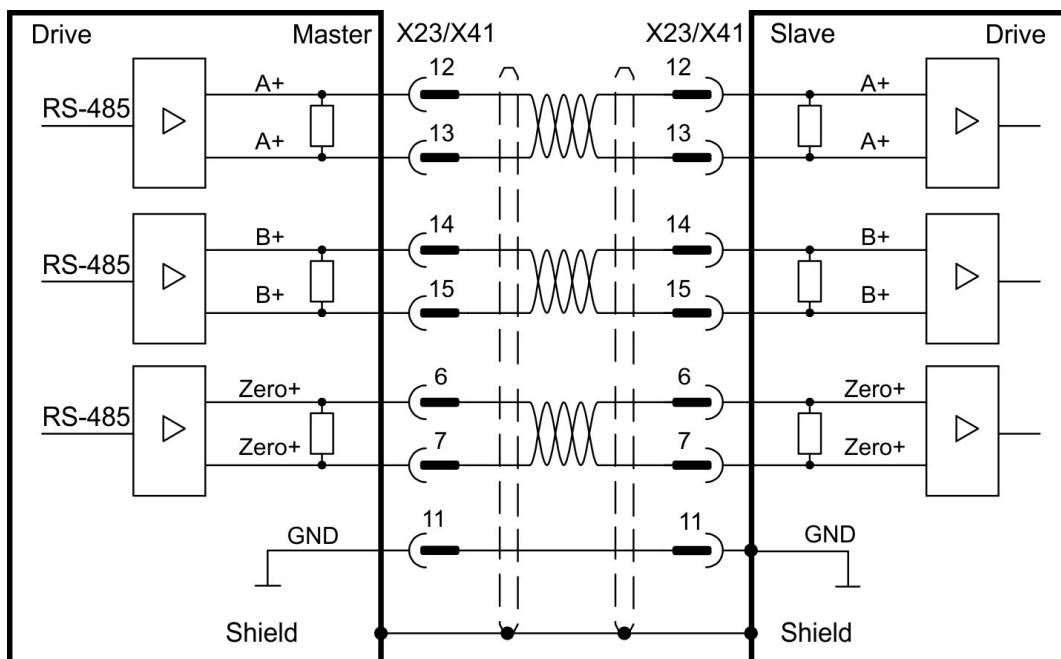
8.10.3.1 Master-Slave using X22

The master is configured for EEO2 (→ # 92) on X22, the Slave uses X22 for command input.



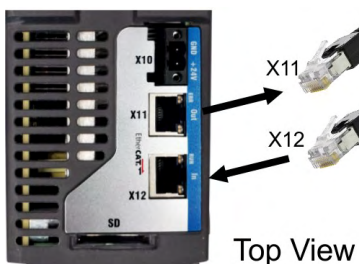
8.10.3.2 Master-Slave using optional X23 or X41

The master is configured for EEO1 (→ # 93) on X23 or EEO3/EEO4 ((→ # 93) with SFA) on X41, the Slave uses X23 (or X41 with SFA) for command input.



8.11 EtherNet Fieldbus Interface (X11/X12)

The EtherNet Fieldbus interface has two RJ-45 connectors.



- RJ-45 with built-in green/red dual-color LED.
- EtherCAT®
- EtherNet/IP*
- PROFINET*

* available 2021

NOTICE

Do not connect the Service line for the PC with the set up software to the EtherNet Fieldbus interface X11/X12. The service EtherNet cable must be connected to X20.

EtherNet Fieldbus interface X11/X12 pinout depends on the used protocol. Refer to the matching fieldbus communication manual.

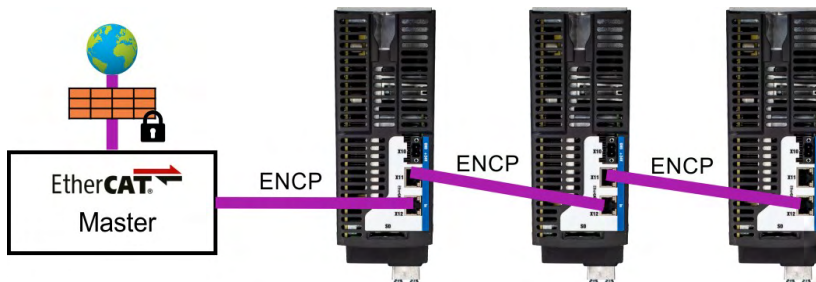
8.11.1 EtherCAT®

AKD2G drives (connectivity option **E**) can be connected as slaves to the EtherCAT® network (CoE) by using RJ-45 connectors X11 (out port) and X12 (in port). The communication status is indicated by the built-in connector LEDs.

| | Conn. | Name | Function |
|--|-----------|-------------------|--|
| | X11 „Out“ | „ERR“ | Returns potentials communication failures: Off = No Error Blinking = Invalid configuration Single Flash = Local error Double Flash = Process data watchdog |
| | X11 „Out“ | Link/ Activity | On/Blinking: Physical link/Data Traffic on. Static off: No link. |
| | X12 „In“ | „RUN“ | Returns the device state: Off = INIT Blinking = PRE-OPERATIONAL Single Flash = SAFE-OPERATIONAL On = OPERATIONAL Flickering = Initialization or BOOTSTRAP |
| | X12 „In“ | Link/ Activity | On/Blinking: Physical link/Data Traffic on. Static off: No link. |

Bus topology example (EtherCAT®)

We suggest to use Kollmorgen ENCP cables. For more possible system solutions refer to the WorkBench Online Help.



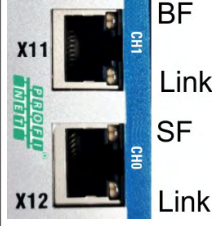
Communication profile

For EtherCAT® communication profile description refer to the manual "AKD2G EtherCAT® Communication".

8.11.2 PROFINET (available 2021)

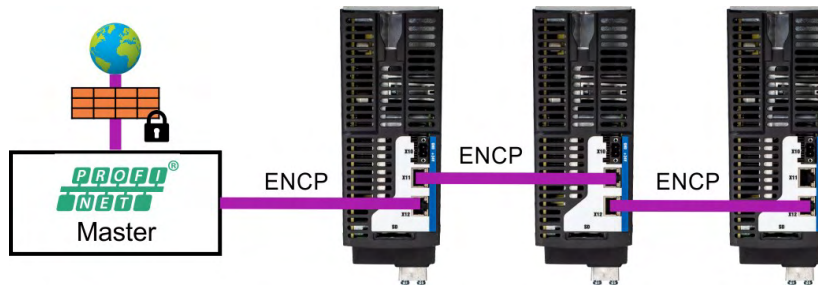
AKD2G with connectivity option **P** can be connected as slaves to a PROFINET network by using RJ-45 connectors X11 (Port 2) and X12 (Port 1). PROFINET RT or IRT protocols can be used. The communication status is indicated by the built-in connector LEDs.

The field bus address must either be set automatically or by using the memory card.

| | Conn. | Name | Function |
|---|---------------|-------------------|---|
|  | X11 Port 2 | BF | ON = No Configuration, low speed, no link OFF = No Error Flashing 2Hz = No data exchange |
| | X11 Port 2 | Link/ Activity | ON = Connection to the EtherNet OFF = No connection to the EtherNet Flashing = Sends/receives EtherNet frames |
| | X12 Port 1 | SF | ON = Watchdog timeout; channel / generic / extended diagnosis present; system error OFF = No Error Flashing 2Hz = DCP signal service is initiated via the bus |
| | X12 Port 1 | Link/ Activity | ON = Connection to the EtherNet OFF = No connection to the EtherNet Flashing = Sends/receives EtherNet frames |

Bus topology example (PROFINET)

We suggest to use Kollmorgen ENCP cables. For more possible system solutions refer to the WorkBench Online Help.




Communication profile

For PROFINET communication profile description refer to the manual "AKD2G PROFINET Communication".

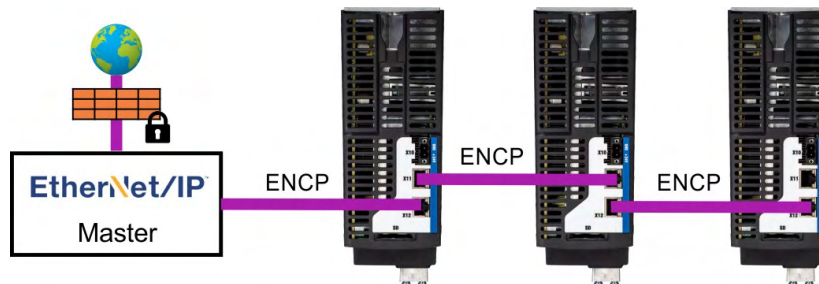
8.11.3 EtherNet/IP (available 2021)

AKD2G with connectivity option I can be connected as slaves to a EtherNet/IP network by using RJ-45 connectors X11 (Port 2) and X12 (Port 1). The communication status is indicated by the built-in connector LEDs.

| | Conn. | Name | Function |
|---|---------------|-------------------|--|
|  | X11 Port 2 | NS | Green - On = Connected Green - Flashing = No connections Red - On = Duplicate IP Red Flashing = Connection Timeout Red/Green Flashing = Self-test Off = No power, No IP Address |
| | X11 Port 2 | Link/ Activity | On/Blinking: Physical link/Data Traffic on. Static off: No link. |
| | X12 Port 1 | MS | Green - On = Device Operational Green - Flashing = Standby Red - On = Major Fault Red Flashing = Minor Fault Red/Green Flashing = Self-test Off = No power |
| | X12 Port 1 | Link/ Activity | On/Blinking: Physical link/Data Traffic on. Static off: No link. |

Bus topology example (EtherNet/IP)

We suggest to use Kollmorgen ENCP cables. For more possible system solutions refer to the WorkBench Online Help.

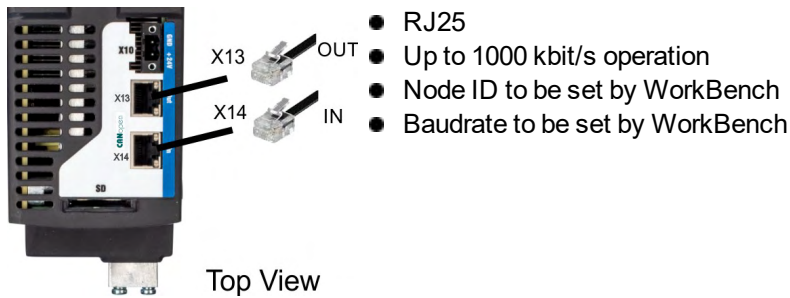


Communication profile

For EtherNet/IP communication profile description refer to the manual "AKD2G EtherNet/IP Communication".

8.12 CAN-Bus Interface (X13/X14)

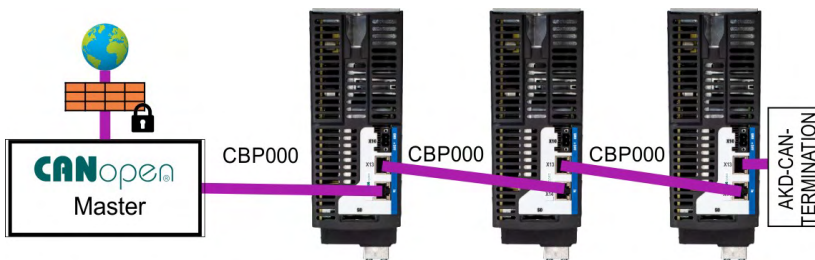
AKD2G drives with connectivity option **C** can be connected to a CAN-Bus by using two 6-pin RJ25 connectors X13/X14.



| Pin | Signal | Description |
|-----|-------------|-------------------------------|
| 1 | Termination | Internal Termination Resistor |
| 2 | Shield | Chassis |
| 3 | CAN_high | CAN bus high signal |
| 4 | CAN_low | CAN bus low signal |
| 5 | CAN_GND | CAN bus ground |
| 6 | Termination | Internal Termination Resistor |

8.12.1 CAN-Bus Topology

We recommend the use of Kollmorgen CBP000 cables.



Cable requirements

To meet ISO 11898, a bus cable with a characteristic impedance of 120 Ω should be used. The maximum usable cable length for reliable communication decreases with increasing transmission speed.

As a guide, you can use the following values measured by Kollmorgen; however, these values are not assured limits:

- Characteristic impedance: 100–120 Ω
- Cable capacitance max.: 60 nF / 1000 m
- Lead loop resistance: 159.8 Ω / 1000 m

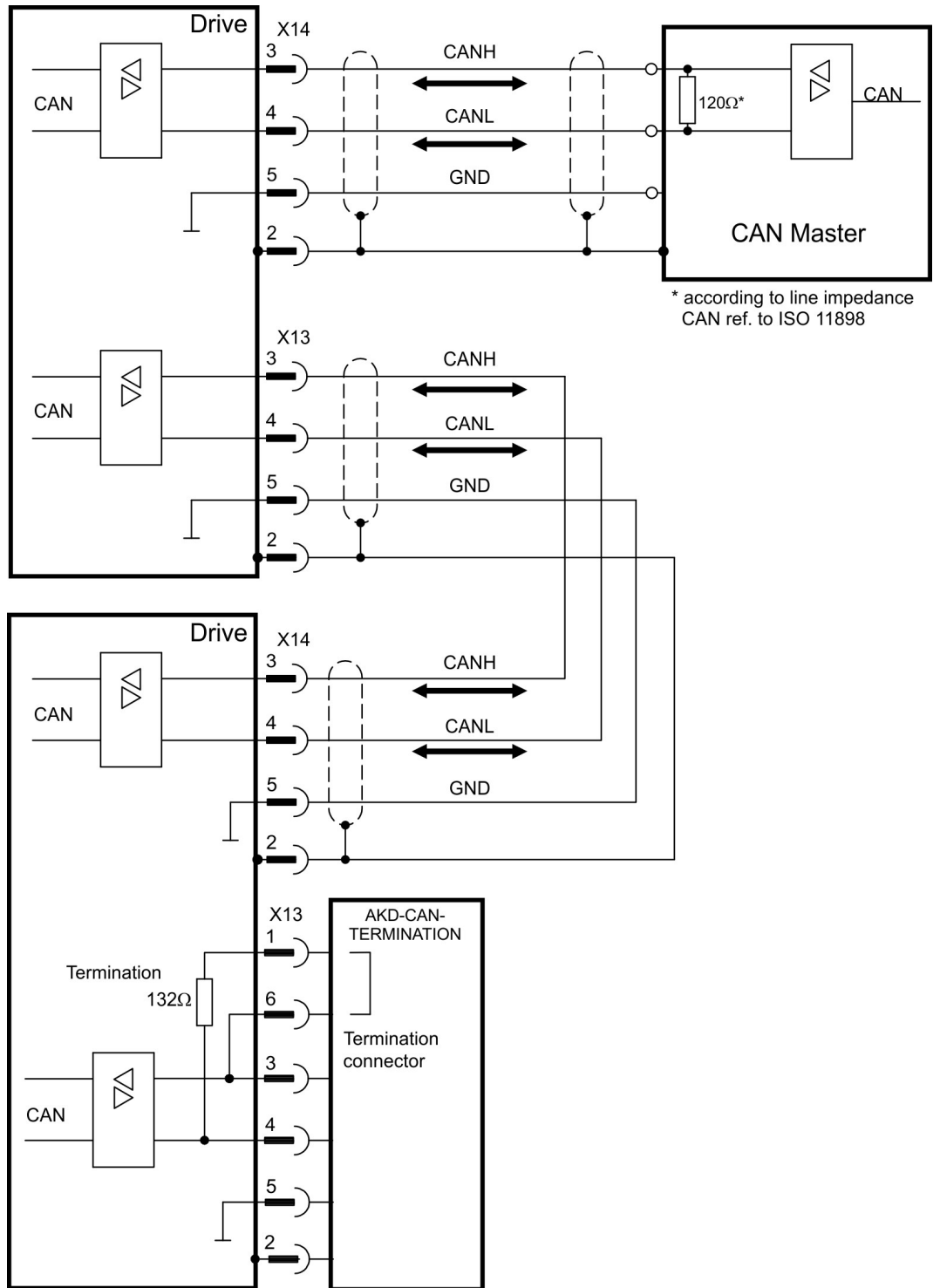
| Transmission Rate (kBaud) | 1000 | 500 | 250 | 125 |
|---------------------------|------|-----|-----|-----|
| Maximum Cable Length (m) | 25 | 100 | 250 | 500 |

Lower cable capacitance (max. 30 nF / 1000 m) and lower lead resistance (loop resistance, 115 Ω / 1000 m) allow larger distances. The characteristic impedance 150 ± 5 Ω requires terminating resistor 150 ± 5 Ω.

Communication profile

For CANopen communication profile description refer to the manual "AKD2G CAN-Bus Communication".

8.12.2 CAN-Bus Wiring



8.12.3 Baud rate for CAN-Bus

The transmission rate can be set by using the parameter **CANBUS.BAUD** in WorkBench.

| Baud rate [kBit/s] | CANBUS.BAUD |
|--------------------|---------------|
| 125 | 125 (default) |
| 250 | 250 |
| 500 | 500 |
| 1000 | 1000 |

With a fix baud rate, the drive sends the boot up message with the baud rate saved in the drive's non volatile memory after a power cycle.

8.12.4 Node Address for CAN-Bus

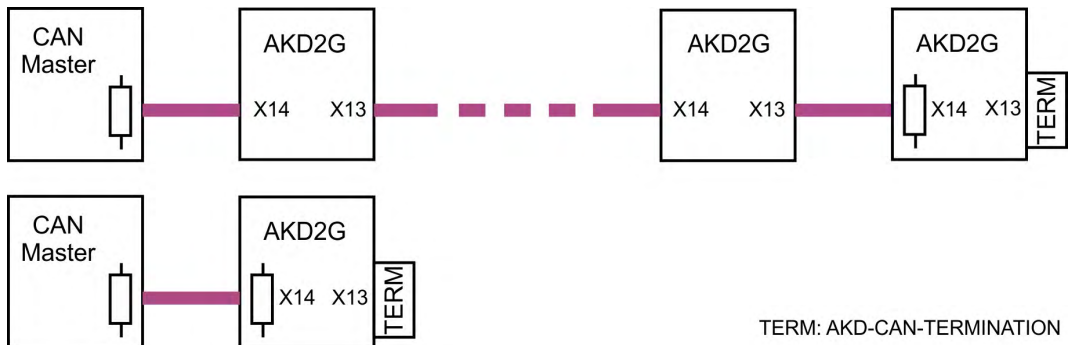
The node address can be set by using parameter **CANBUS.NODEID** in WorkBench.

NOTE

After changing the node address, you must turn off the 24 V auxiliary supply for the drive and then turn it on again.

8.12.5 CAN-Bus Termination

The last bus device on both ends of the CAN-Bus system must have termination resistors. The AKD2G has built-in 132 Ω resistors that can be activated by connecting pins 1 and 6. An optional termination plug is available for AKD2G (*AKD-CAN-TERMINATION*). The optional termination plug is an RJ25 connector with an enclosed wire jumper between pins 1&6. The termination plug should be inserted into the X13 connector of the last drive in the CAN network.



NOTE

Remove the termination connector if the AKD2G is not the last CAN-Bus device and use X13 for connecting the next CAN node.

8.13 Service Interface (X20)



- RJ45 with built-in green/red dual-color LED
- 100/10 Mbit EtherNet TCP/IP
- Supports Auto-IP, DHCP and fixed IP addressing
- Supports point-to-point (i.e. Auto-IP) and connection by using network switches
- Supports automatic discovery in WorkBench if in the same sub-net.

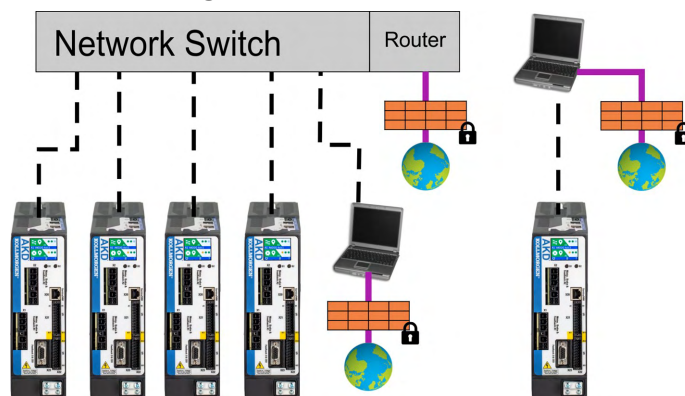
| Pin | Signal | Description |
|-----|-------------|-----------------------|
| 1 | Tx+ | Transmit + |
| 2 | Tx- | Transmit - |
| 3 | Rx+ | Receive + |
| 4 | Termination | Bob Smith termination |
| 5 | Termination | Bob Smith termination |
| 6 | Rx- | Receive - |
| 7 | Termination | Bob Smith termination |
| 8 | Termination | Bob Smith termination |

Operating, position control, and motion-block parameters can be set up by using the setup software on an ordinary commercial PC (→ # 121).

Connect the service interface X20 of the drive to an EtherNet interface on the PC directly or by using a network switch, **while the supply to the equipment is switched off**. Use standard Cat. 5 EtherNet cables for connection (in some cases crossover cables will also work).

Confirm that the link LED on the AKD2G (RJ45 connector) and on your PC (or network switch) are both illuminated. If both lights are green, then you have a good electrical connection.

8.13.1 Possible Network Configurations



8.14 Modbus TCP (X20)

The drive can be connected to Modbus HMI by using RJ45 connector X20. The protocol allows reading and writing of drive and axis parameters.

The communication status is indicated by the built-in LED.

| Connector | LED | Name | Function |
|-----------|-----|--------------|---------------------------------|
| X20 | LED | IN port Link | green = active, red= not active |

Connect the service interface (X20) of the drive to an EtherNet interface on the Modbus HMI directly or by using a network switch, **while the supply to the equipment is switched off**. Use standard Cat. 5 EtherNet cables for connection.

Confirm that the link LED on the AKD2G (the green LED on the RJ45 connector) and on your HMI or switch are both illuminated. If both LEDs are illuminated, then you have a good electrical connection.

The following are required to connect an HMI to the drive:

- The HMI must support Modbus TCP.
- It must have EtherNet hardware and a driver for Modbus TCP, though the driver does not have to be made specifically for the AKD2G family.

The subnet mask of the AKD2G is 255.255.255.0. The first three octets of the drive's IP address must be the same as the first three octets of the HMI's IP address. The last octet must be different.

Modbus TCP and WorkBench/KAS IDE can operate simultaneously if a switch is used.

Communication profile

For Modbus communication profile description refer to the WorkBench Online Help.

8.15 I/O Connection (X21/X22/X23)

8.15.1 Pinout

X21


- standard
- 2 x 11 pins, pitch 3.5 mm
- A: left connector
- B: right connector


X22


- standard for dual-axis drives
- optional for single axis drives
- 2 x 10 pins, pitch 3.5 mm
- A: left connector
- B: right connector

X23

- optional
- SubD 15 pins HD
- Mating connector: male

| X21 | Pin | Signal | Pin | Signal |
|---|-----|--|-----|------------------------------------|
|  | A1 | Analog-In (AIN) 1 + | B1 | Analog-Out (AOUT) 1 |
| | A2 | Analog-In (AIN) 1 - | B2 | AGND |
| | A3* | Digital-In (DIN) 1 | B3 | +24 V |
| | A4* | Digital-In (DIN) 2 | B4 | DGND |
| | A5 | Digital-In (DIN) 3 (HW-Enable Axis 1) | B5 | Digital-Out (DOOUT) 9 + (Relay) |
| | A6 | Digital-In (DIN) 4 (HW-Enable Axis 2) | B6 | Digital-Out (DOOUT) 9 - (Relay) |
| | A7 | Digital-In (DIN) 5 | B7 | Digital-Out (DOOUT) 1 |
| | A8 | Digital-In (DIN) 6 | B8 | Digital-Out (DOOUT) 2 |
| | A9 | Digital-In (DIN) 7 | B9 | Digital-Out (DOOUT) 3 |
| | A10 | Digital-In (DIN) 8 | B10 | Digital-Out (DOOUT) 4 |
| | A11 | STO-A-A1 | B11 | STO-B-A1 |

| X22 (optional for single axis drives, standard for dual-axis drives) | | | | |
|---|------|--------------------------|------|--------------------------|
| | Pin | Signal | Pin | Signal |
|  | A12 | STO-A-A2, dual-axis | B12 | STO-B-A2, dual-axis |
| | A13 | Digital-In (DIN) 9 | B13 | Digital-Out (DOOUT) 5 |
| | A14 | Digital-In (DIN) 10 | B14 | Digital-Out (DOOUT) 6 |
| | A15 | Digital-In (DIN) 11 | B15 | Digital-Out (DOOUT) 7 + |
| | A16 | Digital-In (DIN) 12 | B16 | Digital-Out (DOOUT) 7 - |
| | A17 | AGND | B17 | Digital-Out (DOOUT) 8 + |
| | A18 | Analog-In (AIN) 2+ | B18 | Digital-Out (DOOUT) 8 - |
| | A19 | Analog-In (AIN) 2- | B19 | Analog-Out (AOUT) 2 |
| | A20* | Digital-In/Out (DIO) 1 + | B20* | Digital-In/Out (DIO) 2 + |
| | A21* | Digital-In/Out (DIO) 1 - | B21* | Digital-In/Out (DIO) 2 - |

| X23 (optional) | Pin | Signal |
|---|-----|--------------------------|
|  | 2 | Digital-In/Out (DIO) 6 + |
| | 3 | Digital-In/Out (DIO) 6 - |
| | 6 | Digital-In/Out (DIO) 5 + |
| | 7 | Digital-In/Out (DIO) 5 - |
| | 10 | +5 V |
| | 11 | 0 V |
| | 12 | Digital-In/Out (DIO) 3 + |
| | 13 | Digital-In/Out (DIO) 3 - |
| | 14 | Digital-In/Out (DIO) 4 + |
| | 15 | Digital-In/Out (DIO) 4 - |

8.15.2 Technical data

| Interface | Electrical Data |
|---|---|
| Analog inputs Analog-In (AIN) 1 to 2 | <ul style="list-style-type: none"> ● ± 10 VDC ● common mode rejection ratio: > 30 dB at 60 Hz ● resolution 16 bit and full monotonic ● update rate: 16 kHz ● non-linearity < 0.1% of full scale ● offset drift max. 250 μV/°C ● input impedance > 13 kΩ |
| Analog outputs Analog-Out (AOUT) 1 to 2 | <ul style="list-style-type: none"> ● 0 to +10 VDC, max 20 mA ● resolution 16 bit and full monotonic ● update rate: 4 kHz ● non-linearity < 0.1% of full scale ● offset drift max. 250 μV/°C ● short circuit protected to AGND ● output impedance 110 Ω |
| Digital inputs Digital-In (DIN) 1 to 2 IEC 61131-2 Type 1 | <ul style="list-style-type: none"> ● ON: 11 VDC to 30 VDC, 2 mA to 15 mA ● OFF: -5 VDC to 5 VDC, max. 15 mA ● galvanic isolation for 60 VDC ● activation / de-activation delay: < 1 μs / < 1 μs |
| Digital inputs Digital-In (DIN) 3 to 12 IEC 61131-2 Type 1 | <ul style="list-style-type: none"> ● ON: 11 VDC to 30 VDC, 2 mA to 15 mA ● OFF: -5 VDC to 5 VDC, max. 15 mA ● galvanic isolation for 60 VDC ● delay activation/de-activation: about 5 μs / 500 μs |
| Digital outputs Digital-Out (DOUT) 1 to 6 | <ul style="list-style-type: none"> ● max. 30 VDC, 100 mA ● short circuit proof ● galvanic isolation for 60 VDC ● delay activation/de-activation: about 5 μs / 300 μs |
| Digital outputs Digital-Out (DOUT) 7 to 8 | <ul style="list-style-type: none"> ● volt-free contacts, max 30 VDC, 100 mA ● sink or source ● galvanic isolation for 24 VDC from PE ● delay activation/de-activation: about 5 μs / 50 μs |
| Digital inputs/outputs Digital-In/Out (DIO) 1 to 6 | <ul style="list-style-type: none"> ● RS485, 5V, max 100mA ● reference potential X22: AGND, X23: 0V ● input OFF: -0.3 V to +0.3 V ● selectable termination, difference/single ended ● delay activation/de-activation: about 50 ns |
| Digital output Digital-Out (DOUT) 9 | <ul style="list-style-type: none"> ● max. 30 VDC, 1A ● max. 42 VAC, 1 A ● galvanic isolation for 24 VDC from PE ● delay open/close: 10 ms / 10 ms |
| Safe digital inputs Axis 1: STO-A-A1, STO-B-A1 Axis 2: STO-A-A2, STO-B-A2 | <ul style="list-style-type: none"> ● ON: 17 VDC to 30 VDC, 5 mA to 6 mA ● OFF: 0 VDC to 5 VDC, max. 1 mA ● galvanic isolation for 60 VDC ● delay activation/de-activation about: 1.5 ms / 3.5 ms |

8.15.3 Analog Input

The drive is fitted with differential inputs for analog torque, velocity, or position control. The standard drive offers one analog input on X21, dual axis drives and drives with built-in option IO or DX offer a second analog input on X22.

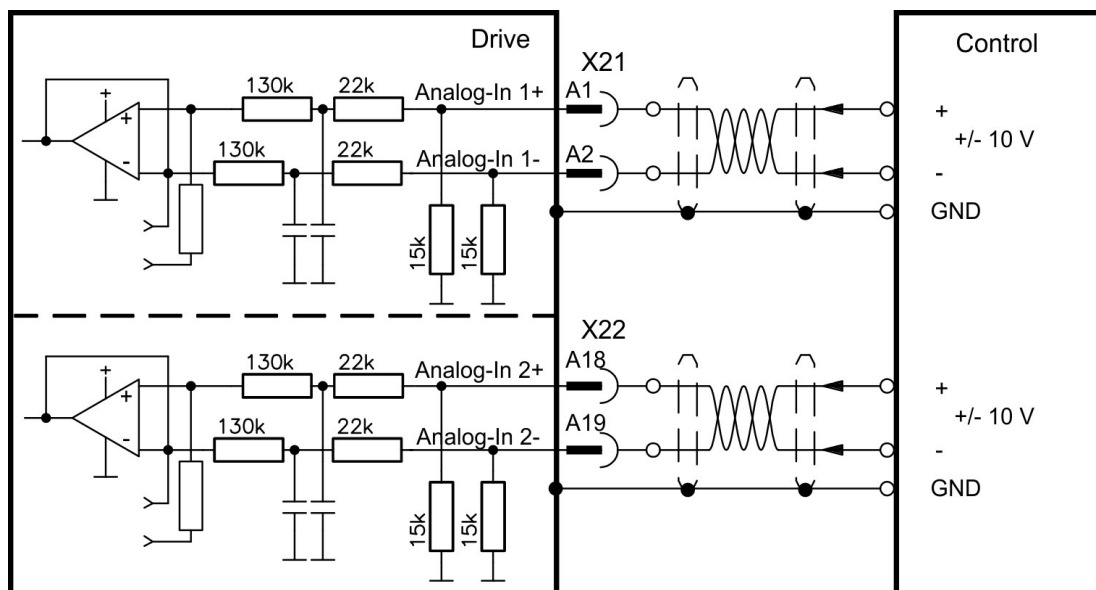
NOTICE

Maximum distance for unshielded I/O lines is 3 m inside the cabinet. If the I/O cable leaves the cabinet, it must be EMC shielded.

Technical characteristics

- Differential input voltage range: ± 10 V
- Maximum input voltage referring to I/O Return: -12.5, +16.0 V
- Resolution: 16 Bit and fully monotonic
- Firmware update rate: 16 kHz
- Unadjusted offset: < 50 mV
- Offset drift typ: $250 \mu\text{V} / ^\circ\text{C}$
- Gain or slope tolerance: $\pm 3\%$
- Nonlinearity: < 0.1% of full scale or 12.5 mV
- Common Mode Rejection Ratio: > 30 dB at 60 Hz
- Input impedance: > 13k Ω s
- Signal to noise ratio referred to full scale:
 - AIN.CUTOFF = 3000 Hz: 14 bit
 - AIN.CUTOFF = 800 Hz: 16 bit

Analog Input Wiring Diagram



Application examples for set point input Analog-In:

- reduced-sensitivity input for setting-up/jog operation
- pre-control/override

Defining the direction of rotation

Standard setting: clockwise rotation of the motor shaft (looking at the shaft end) affected by positive voltage between terminal (+) and terminal (-)

To reverse the direction of rotation, swap the connections to terminals +/- or change parameter AXIS#.DIR in WorkBench.

8.15.4 Analog Output

Analog Outputs can be used to output converted analog values of digital measurements recorded in the drive. The standard drive offers one analog output on X21, dual axis drives and drives with built-in option IO or DX offer a second analog output on X22.

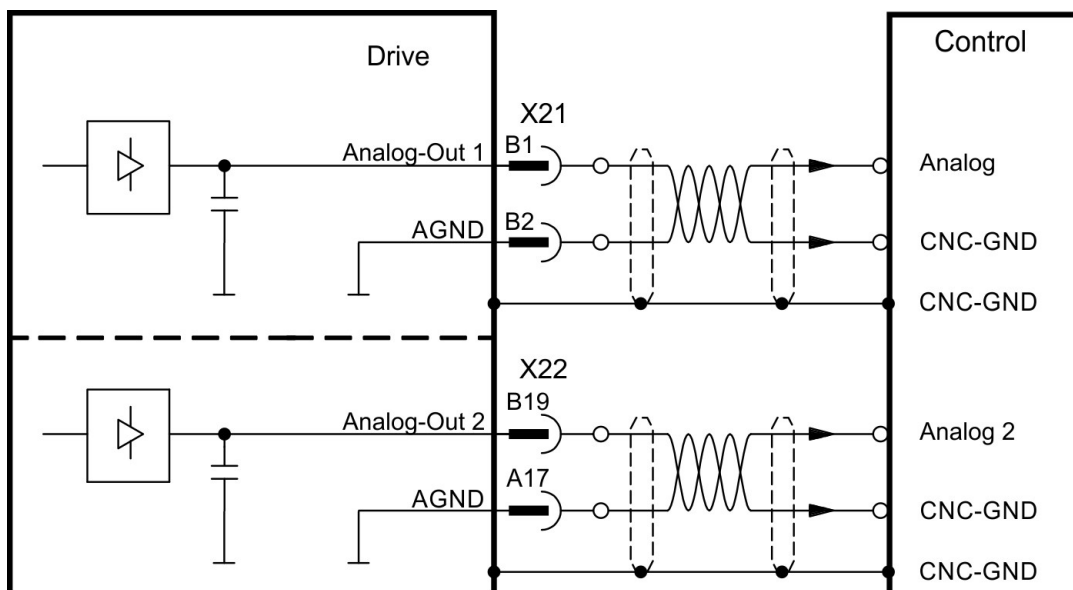
NOTICE

Maximum distance for unshielded I/O lines is 3 m inside the cabinet. If the I/O cable leaves the cabinet, it must be EMC shielded.

Technical characteristics

- Output voltage range referring to AGND: 0 to 10 V
- Resolution: 16 Bit and fully monotonic
- Update rate: 4 kHz
- Unadjusted offset: < 50 mV
- Offset drift typ: 250 $\mu\text{V}/^\circ\text{C}$
- Gain or slope tolerance: +/- 3%
- Nonlinearity: < 0.1% of full scale or 20 mV
- Output impedance: 110 Ω
- Specification complies with IEC 61131-2 Table 11
- -3 dB Bandwidth: >8 kHz
- Maximum output current: 20 mA
- Capacitive load: any value but response speed limited by max lout and by Rout
- Protected for short circuit to AGND

Analog Output Wiring Diagram



8.15.5 Digital Inputs

The drive provides 8 digital inputs on X21. Dual axis drives and drives with built-in option IO or DX offer additional 4 inputs on X22 and 2 programmable Input/Outputs on X22. If X23 is built-in and not used for feedback or EEO function, then it offers 4 additional programmable Input/Outputs.

All inputs can be used to initiate pre-programmed actions. A list of actions is included in the WorkBench. If an input is programmed, it must be saved to the drive.

The drive provides 4 safe digital inputs on X21 and X22. These inputs can be used as safe inputs, based on the installed functional option (→ # 133).

NOTICE

Maximum distance for unshielded I/O lines is 3 m inside the cabinet. If the I/O cable leaves the cabinet, it must be EMC shielded.

NOTE

Depending on the selected function, the inputs are high or low active. Digital input filter can be set in WorkBench to change sensitivity of the inputs (see Online Help).

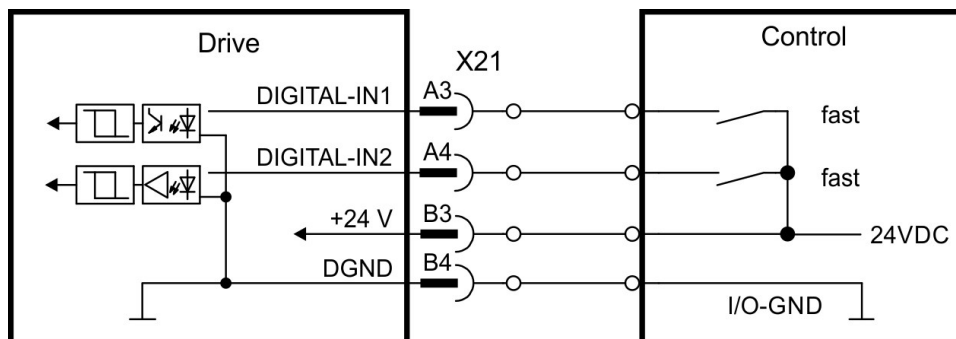
8.15.5.1 Digital-In 1 and 2

These inputs (IEC 61131-2 Type 1) are particularly fast and are therefore suitable for position latch functions. They can also be used as 24 V inputs for electronic gearing (→ # 92).

Technical characteristics

- Floating, reference common line is DGND
- High: 11 to 30 V/2 to 15 mA , Low: -5 to +5 V/<15 mA
- Update rate: firmware reads hardware input state every 250 μ s
- High accuracy latch: motor feedback position or interpolated time is latched or captured within 2 μ s of input signal transition (with digital input filter set to 40 ns)
- The AKD2G capture engine is polled every 62.5 μ s (16 kHz) by the firmware

Wiring example



8.15.5.2 Digital-In 3 to 12

These inputs (IEC 61131-2 Type 1) are programmable with the setup software.

Manufacturer setting:

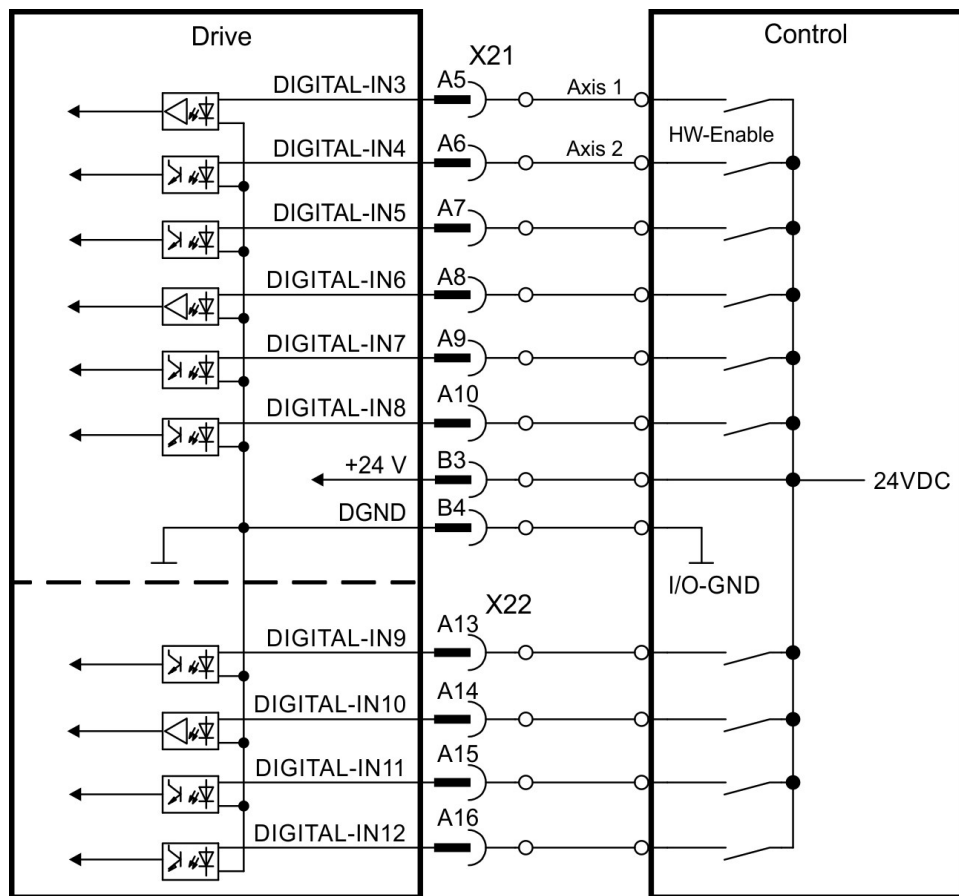
- Digital-In 3: HW-Enable Axis 1
- Digital-In 4: HW-Enable Axis 2
- Digital-In 5 ... 12: off

Choose the function you require in WorkBench. For more information refer to WorkBench.

Technical characteristics

- Floating, reference common line is DGND
- High: 11 to 30 V/2 to 15 mA , Low: -5 to +5 V/<15 mA
- Update rate: firmware reads hardware input state every 250 µs

Wiring example



8.15.5.3 Digital-In/Out 1 and 2

Pins X22/A20-A21 (Digital-In/Out 1) and X22/B20-B21 (Digital-In/Out 2) can be defined as either inputs or outputs. For programming refer to WorkBench.

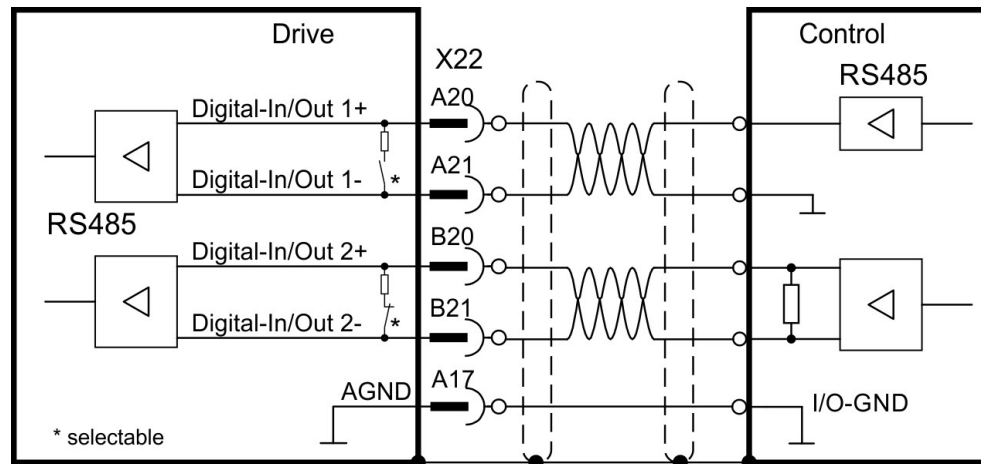
NOTICE

NOT compatible with 24V signal level! Will be damaged if connected to +24V!

Technical characteristics if configured as input

- RS485, reference common line is AGND
- No wire break detection
- Digital IN/OUT 1/2: Selectable DC termination for differential or single ended input
- Update rate: firmware reads hardware input state every 250 μ s

Wiring example



8.15.5.4 Digital-In/Out 3 to 6

X23 can be used for digital I/O. The channels can be defined as inputs or outputs. For programming refer to WorkBench.

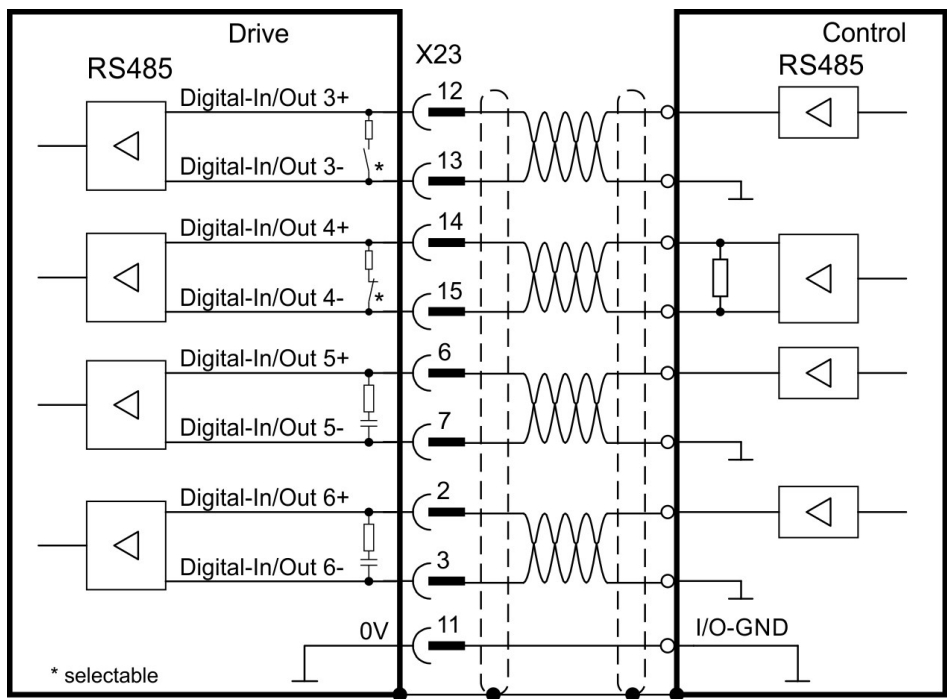
NOTICE

NOT compatible with 24V signal level! Will be damaged if connected to +24V!

Technical characteristics if configured as input

- RS485, reference common line is 0V
- No wire break detection
- Digital IN/OUT 3/4: Selectable DC termination for differential or single ended input
- Digital IN/OUT 5/6: AC termination for single ended input
- Update rate: firmware reads hardware input state every 250 μ s

Wiring example



8.15.6 Digital Outputs

The drive provides 4 digital outputs on X21. For more information refer to the setup software.

Dual axis drives and drives with built-in option IO or DX offer additional 4 digital outputs and 2 programmable Input/Outputs. If X23 is built-in and not used for feedback or EEO function, then it offers 4 additional programmable Input/Outputs.

The relay output can be used as fault or ready to operate signal.

NOTICE

Maximum distance for unshielded I/O lines is 3 m inside the cabinet. If the I/O cable leaves the cabinet, it must be EMC shielded.

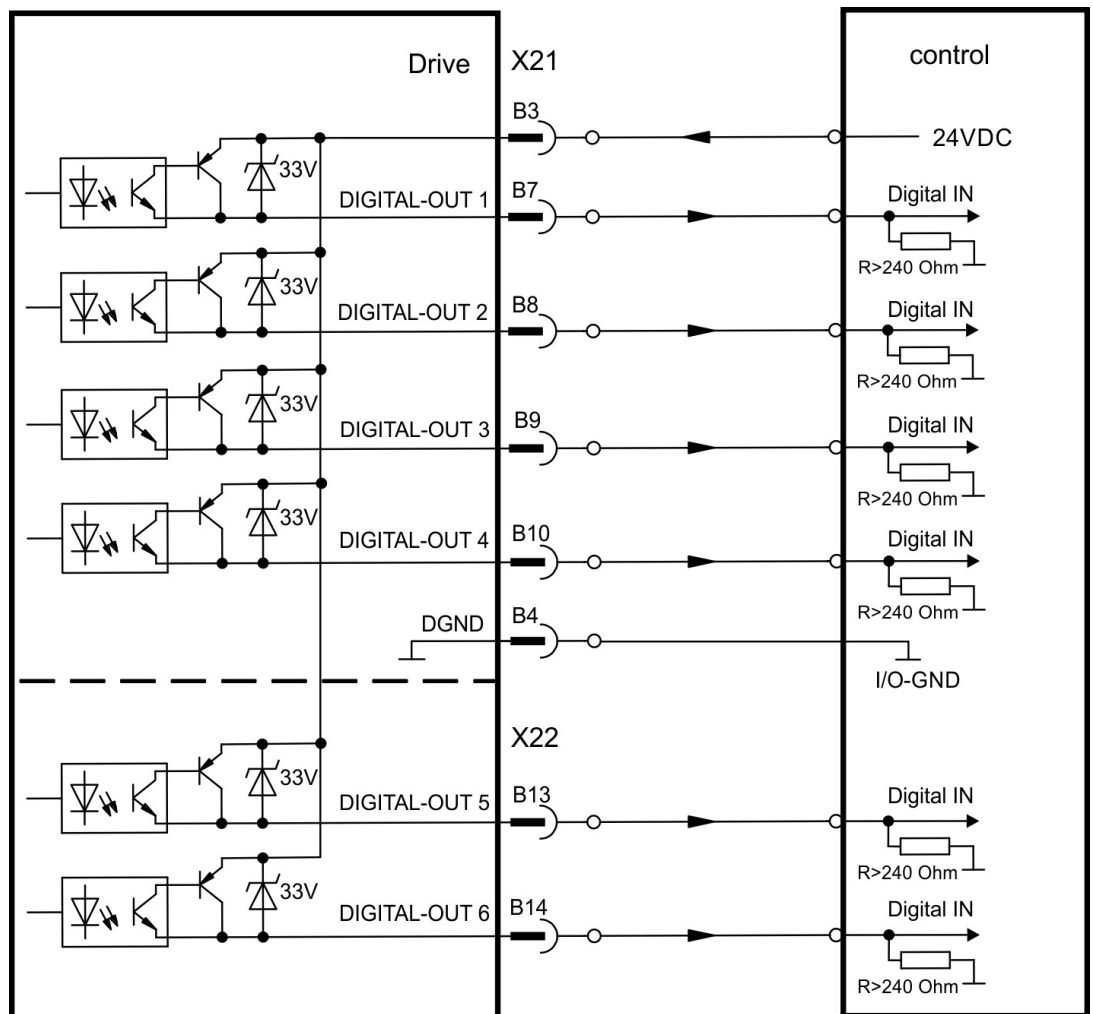
Choose the required action in the setup software. Messages from pre-programmed actions. A list of actions is included in the WorkBench. If an output is programmed, it must be saved to the drive.

8.15.6.1 Digital-Out 1 to 6

These outputs are programmable with the setup software. By default, all outputs are off.

Technical characteristics

- The outputs can switch +5 V to +30 V
- All digital outputs are floating
- High side, output current max. 100 mA
- Update rate: 250 μ s



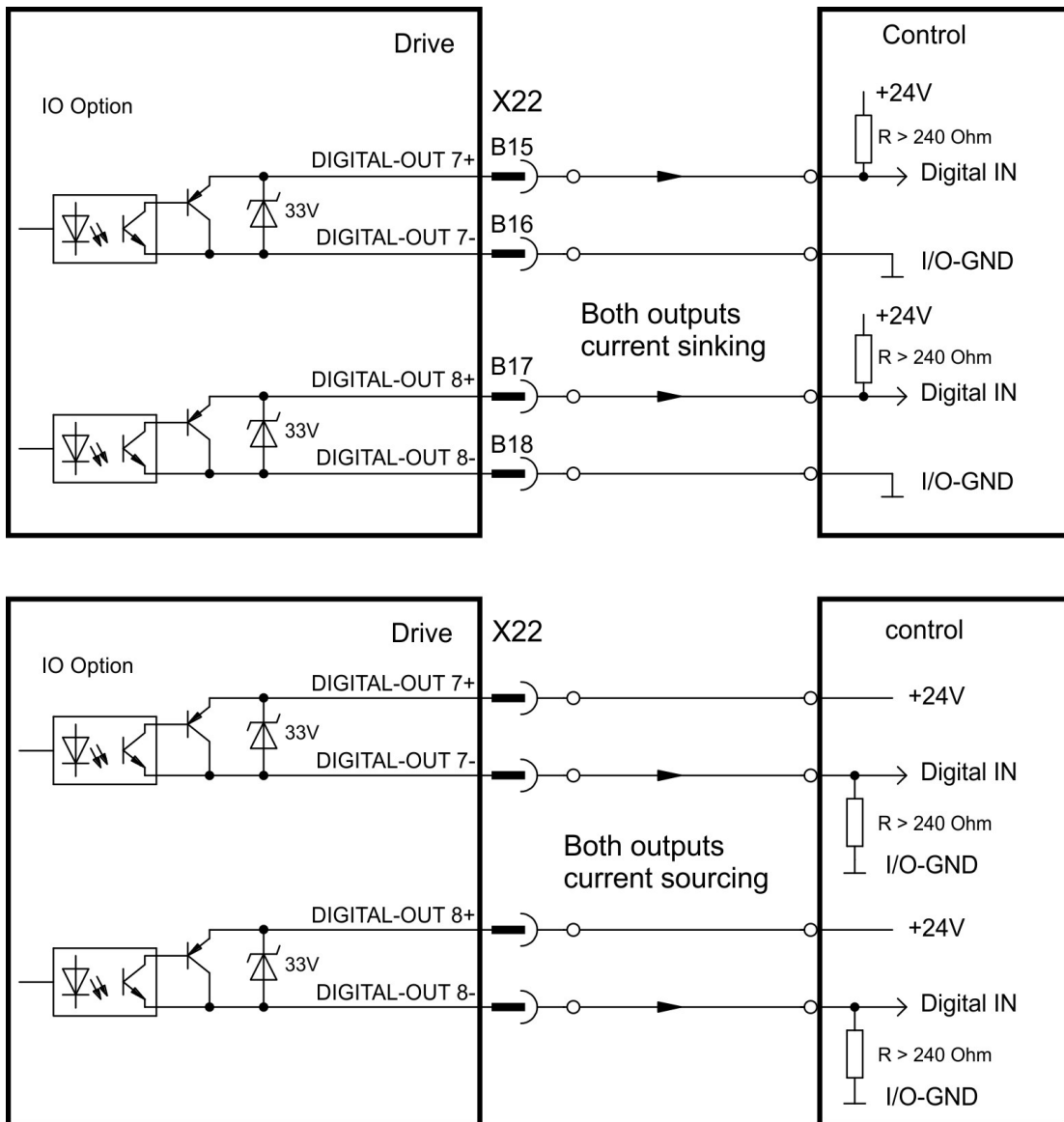
8.15.6.2 Digital-Out 7 and 8

These outputs are programmable with WorkBench. By default, all outputs are not programmed (off).

Technical characteristics

- The outputs can switch +5 V to +30 V
- Galvanic isolation for 24 VDC from PE
- The two channels are isolated from one another and not referred to a common potential
- Output current max. 100 mA
- Can be wired as sinking or sourcing (see examples below)
- Update rate: 250 μ s

Wiring examples

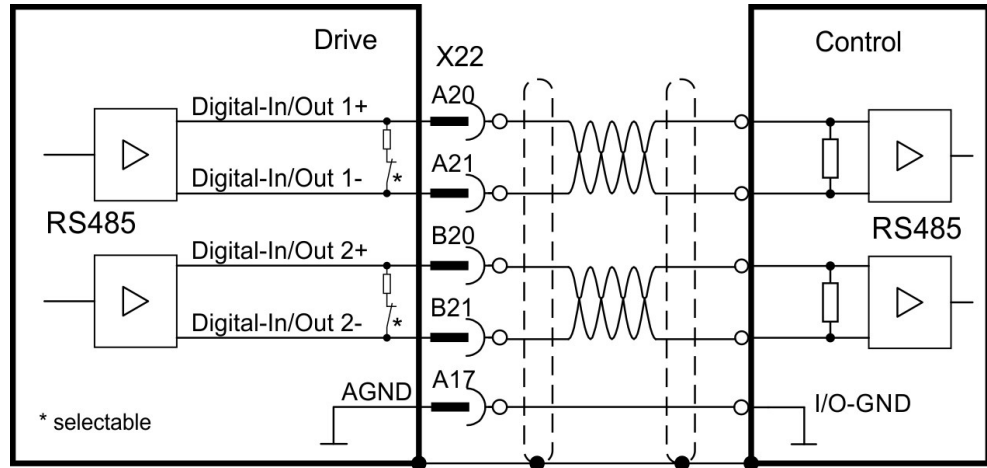


8.15.6.3 Digital-In/Out 1 and 2

Pins X22/A20-A21 (Digital-In/Out 1) and X22/B20-B21 (Digital-In/Out 2) can be used as either inputs or outputs. For programming refer to WorkBench.

Technical characteristics if configured as output

- RS485, reference common line is AGND
- Selectable DC termination for differential or single ended output, no wire break detection
- Update rate: 250 μ s

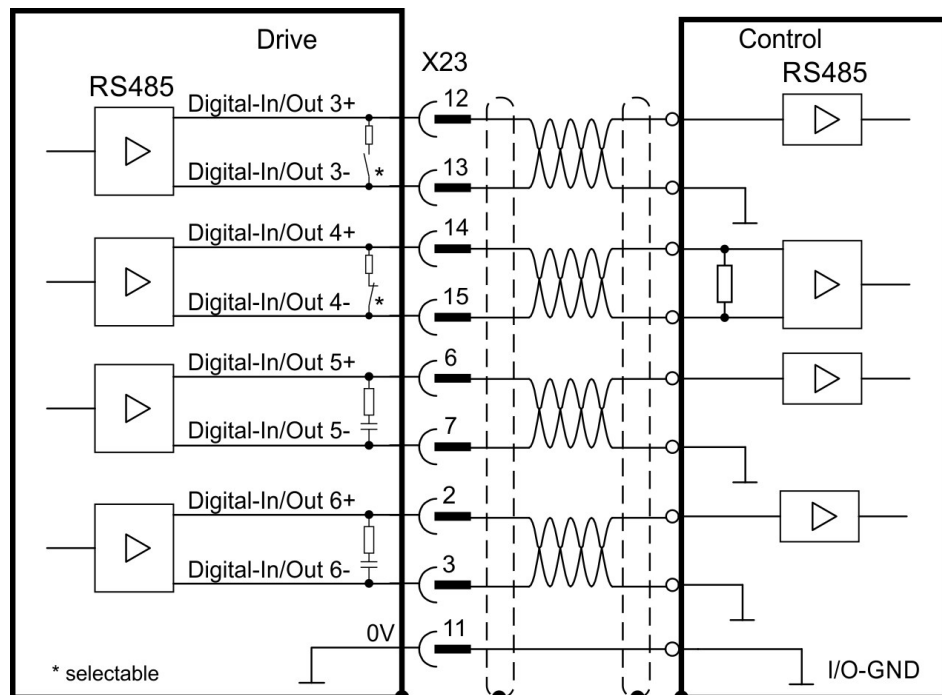


8.15.6.4 Digital-In/Out 3 to 6

X23 can be used for digital I/O. The channels can be defined as inputs or outputs. For programming refer to WorkBench.

Technical characteristics if configured as output

- RS485, reference common line is 0V
- No wire break detection
- Digital IN/OUT 3/4: Selectable DC termination for differential or single ended output
- Digital IN/OUT 5/6: AC termination for single ended output
- Update rate: 250 μ s



8.15.6.5 Digital-Out 9, Relay contacts

Digital-Out 9 is programmable with the setup software (for more information refer to WorkBench).

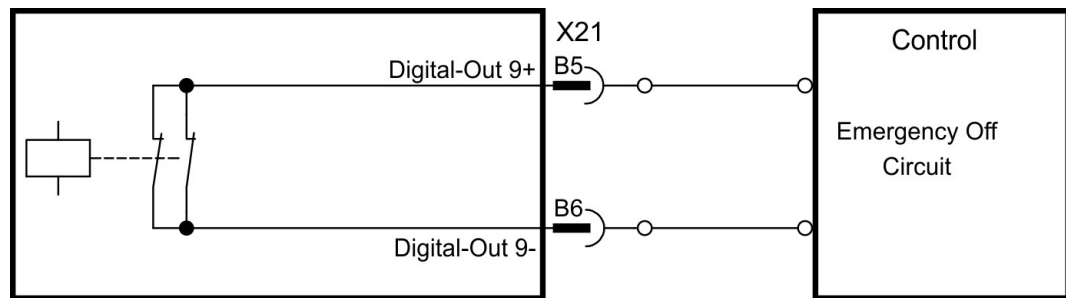
By default, the output function is defined as ready to operate output by action parameter.

NOTICE

If an inductive load (relay or similar) is used, a freewheeling diode must be added to the load.

Technical characteristics

- Relay output, max. 30 VDC or 42 VAC, 1 A
- Galvanic isolation for 24 VDC from PE
- Time to close: max. 10 ms
- Time to open: max. 10 ms



9 Setup

| | |
|--|------------|
| 9.1 Important Notes | 116 |
| 9.2 Guide to drive setup | 117 |
| 9.3 Switch-On and Switch-Off Behavior | 123 |
| 9.4 Fault and Warning Messages | 130 |
| 9.5 Troubleshooting | 131 |

9.1 Important Notes

NOTICE

Only professional personnel with extensive knowledge in the fields of electrical engineering and drive technology are allowed to test and set up the drive.



⚠ DANGER Lethal Voltage!

There is a danger of serious personal injury or death by electrical shock. Lethal danger exists at live parts of the device.

- Built-in protection measures such as insulation or shielding may not be removed.
- Work on the electrical installation may only be performed by trained and qualified personnel, in compliance with the regulations for safety at work, and only with switched off mains supply, and secured against restart.
- In normal operation, the cabinet door must be closed and the device must not be touched.



⚠ WARNING Automatic Restart!

Risk of death or serious injury for humans working in the machine. The drive might restart automatically after power on, voltage dip or interruption of the supply voltage, depending on the parameter setting. If parameter AXIS#.ENDEFAULT is set to 1,

- then place a warning sign ("WARNING: Possible Automatic Restart" or similar) to the machine.
- Ensure, that power on is not possible, while humans are in a dangerous zone of the machine.



⚠ CAUTION High Temperature!

Risk of minor burns. The heat sink of the drive can reach temperatures up to 80°C in operation.

- Check the heat sink temperature before handling the drive.
- Wait until the heat sink has cooled down to 40°C before touching it.

NOTICE

If the drive has been stored for more than 1 year, you must re-form the capacitors in the DC bus link circuit. Re-forming procedures are described in the KDN ([Forming](#)).

NOTE

Additional information on setting up the equipment:

- Programming parameters and control loop behavior are described in the AKD2G User Manual (Online Help).
- The setup of any fieldbus is described in the corresponding manual on the DVD.

9.2 Guide to drive setup

NOTICE

Setup must be done in two major steps:

1. Drive setup (this section). This section presents an example to test the drive initially. If the drive (motor, feedback, control circuits, I/Os) is well parameterized, then proceed with the
2. Functional Safety setup (→ # 143).

9.2.1 Initial Drive Test Procedure

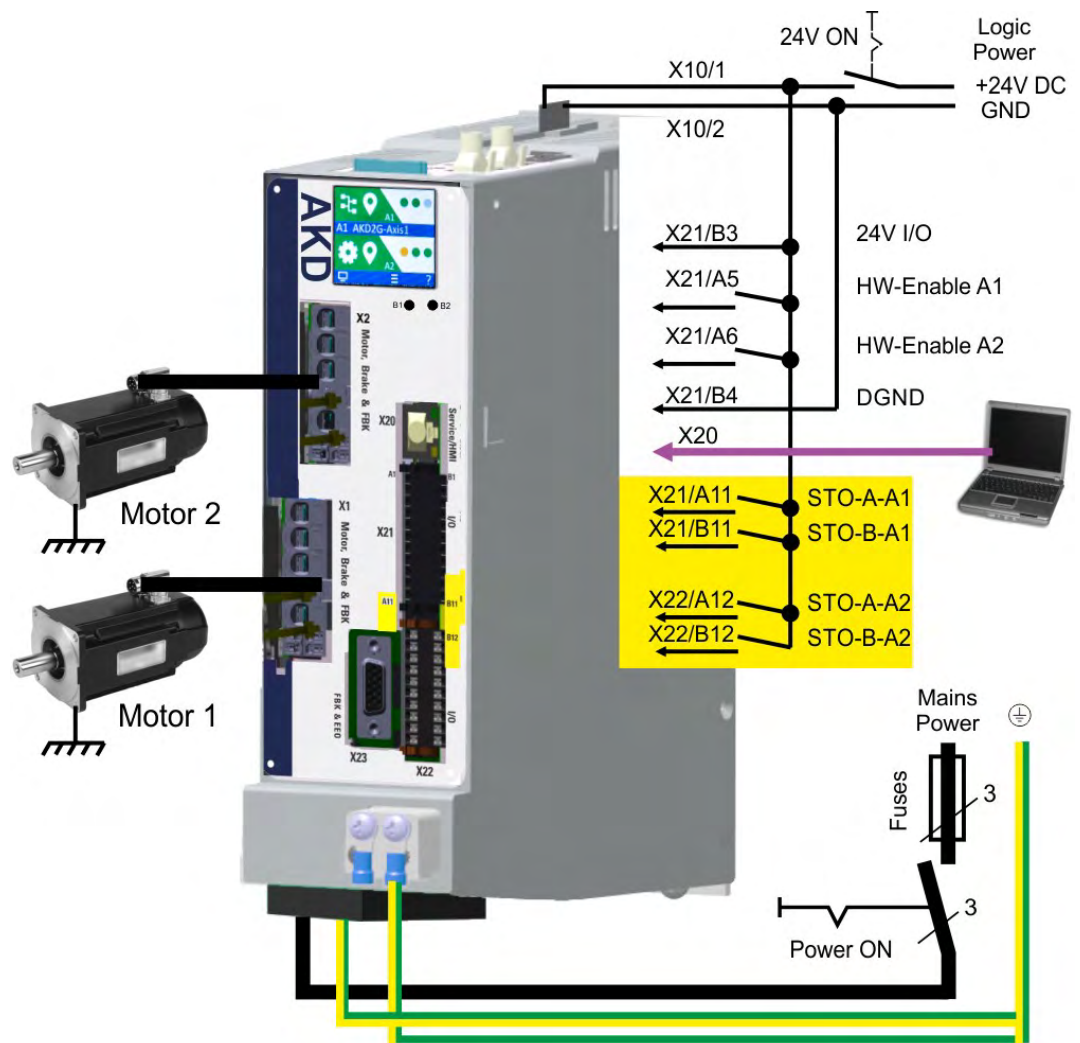
9.2.1.1 Unpacking, mounting, and wiring the AKD2G

1. Unpack the drive and accessories.
2. Mount the drive.
3. Wire the drive or apply the minimum wiring for drive testing as described below.
4. Make sure you have on hand the following information about the drive components:
 - rated mains supply voltage
 - motor type (motor data, if the motor type is not listed in the motor database)
 - feedback unit built into the motor (type, poles/lines/protocol)
 - moment of inertia of the load

9.2.1.2 Minimum wiring for drive test without load, example

NOTICE

This wiring diagram based on default settings is for general illustration only and does not fulfill any requirements for EMC, functional safety, or functionality of your application.



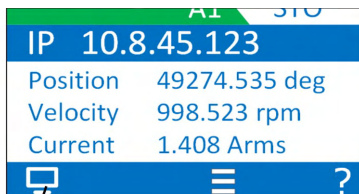
9.2.1.3 Confirm connections (example: directly to PC)

You can turn on logic power to the drive through the X10 connector (mains power voltage is not needed for communications).



Confirm that the link LEDs on the drive (green LED on the RJ45 connector) and on your PC are both illuminated. If both LEDs are illuminated, then you have a working electrical connection.

The LCD display shows a sign, if the connection between AKD2G and WorkBench is active.



Service Port
Connected

Use WorkBench to configure the drive by using the service interface.

9.2.1.4 System integration

MAC Address

The unique MAC address is pre-defined by the manufacturer (see nameplate).

Service IP Address

The AKD2G service port X20 supports auto-IP, DHCP and static IP addressing.

The drive is delivered with IP address 0.0.0.0. Depending on the connection (switch or PC) either DHCP or auto-IP mechanism assigns a unique IP address.

WorkBench uses the IP address to detect AKD2G devices in the LAN and start communication. With WorkBench you can set a static IP address for the drive (parameter *IP.ADDRESS*).

EtherCAT Node Address

The EtherCAT node address is assigned automatically by the EtherCAT master.

CAN Node ID

Set a CAN node ID for the drive in WorkBench (parameter *CANBUS.NODEID*).

PROFINET

The station name and IP address must be set manually through the PROFINET master.

9.2.1.5 Install and start WorkBench

WorkBench is available from the DVD included with the drive. WorkBench is also available on the Kollmorgen Website: www.kollmorgen.com. Select the install file and follow the instructions given by the installer.

Once installation is complete, click the WorkBench icon to start the program.

9.2.1.6 Setup the axis in WorkBench

Use the setup wizard and

1. Connect the axis,
2. Setup the axis and
3. Save parameter set to the drive.

Refer to the WorkBench Online Help for details.

9.2.1.7 Enable the axis (Hardware)

1. Switch 24 V to the STO inputs (X21/A11-B11 for axis 1 or X21/A12-B12 for axis 2)
2. Switch 24 V to the digital inputs for Hardware Enable Axis 1 (X21/A5) or 2 (X21/A6).

9.2.1.8 Move the motor axis

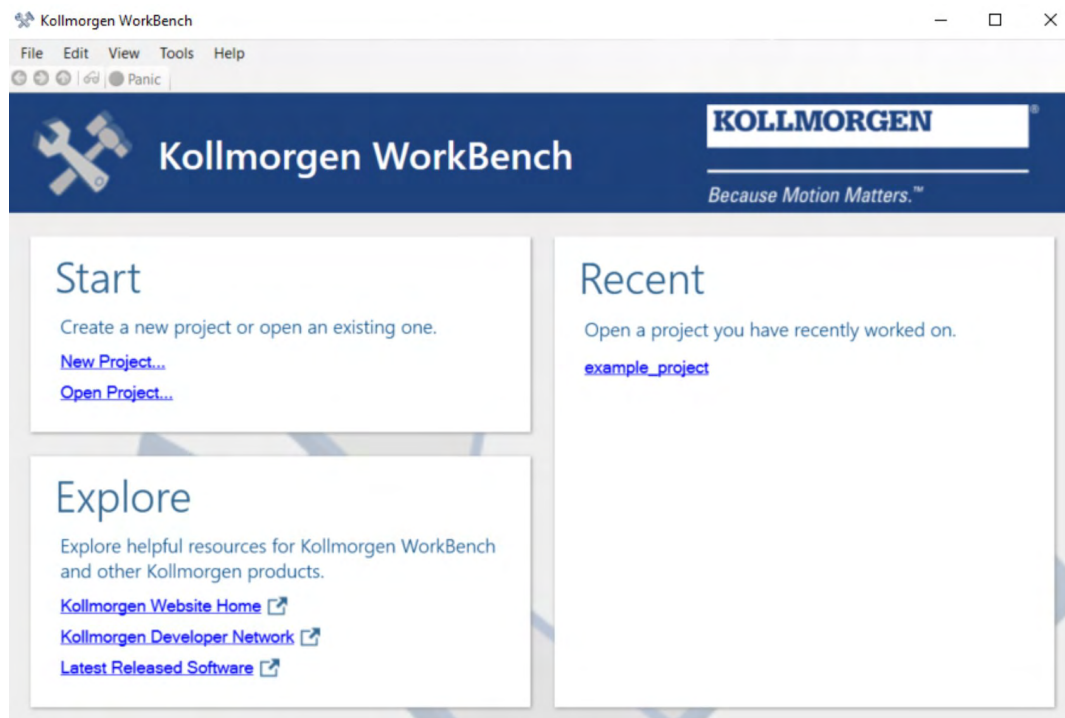
1. Select the axis in WorkBench
2. Enter Service Motion view
3. select "Reversing", check the default velocity and time settings for plausibility
4. Click on Start.

9.2.1.9 Tune the axis

Details see *WorkBench Online Help*

9.2.2 Setup software WorkBench

This chapter describes the installation of the setup software WorkBench for AKD2G drives. Kollmorgen offers training and familiarization courses on request.



9.2.2.1 Use as directed

The setup software is intended to be used for altering and saving the operating parameters for the AKD2G series of drives. The attached drive can be set up with the help of this software, and during this procedure the drive can be controlled directly by the service functions.

Only professional personnel who have the relevant expertise (→ # 14) are permitted to carry out online parameter setting for a drive that is running.

Sets of data that have been stored on data media are not safe against unintended alteration by other persons. Unexpected move could be the result if you use unchecked data. After loading a set of data you must therefore validate parameters which are relevant for the application before enabling the drive.

9.2.2.2 Software description

Each drive must be configured to the requirements of your machine. For most applications, you can use a PC and WorkBench (the drive setup software) to set up the operating conditions and parameters for your drive.

The PC is connected to the drive by an EtherNet cable (→ # 101). The setup software provides the communication between the PC and AKD2G. You can find the setup software on the accompanying DVD and in the download area of the Kollmorgen website.

You can alter parameters easily and instantly observe the effect on the drive, since there is a continuous (online) connection to the drive. You can also read important actual values from the drive, which are displayed on the monitor of the PC (oscilloscope functions).

You can save sets of data on data media (archiving) and load them into other drives or use them for backup. You can also print out the data sets.

Most standard feedback systems are plug and play compatible. Motor nameplate data is stored in the feedback device and read by the drive automatically at startup. Non-plug and play Kollmorgen motors are stored in WorkBench and can be loaded with one-click using the Motor screen in the WorkBench software.

An extensive online help with integrated description of all variables and functions supports you in each situation.

9.2.2.3 Hardware requirements

The Service interface (X20, RJ45) of the drive is connected to the EtherNet interface of the PC by an EtherNet cable (→ # 101).

Minimum requirements for the PC:

Processor: at least 1 GHz

RAM: 512 MB

Graphics adapter: Windows compatible, color, minimum 1024 x 768 dpi

Drives: hard disk with at least 500 MB free space, DVD drive or download from internet

Interface: one free EtherNet Interface, or Switch port

9.2.2.4 Operating systems

Windows 7/8/10

WorkBench works with Windows 7, 8 and 10.

DotNet framework 4.6.1 or higher is required.

Internet Explorer 10 or higher.

Unix, Linux

The software does not run on Unix/Linux.

9.2.2.5 Installation under Windows 7/8/10

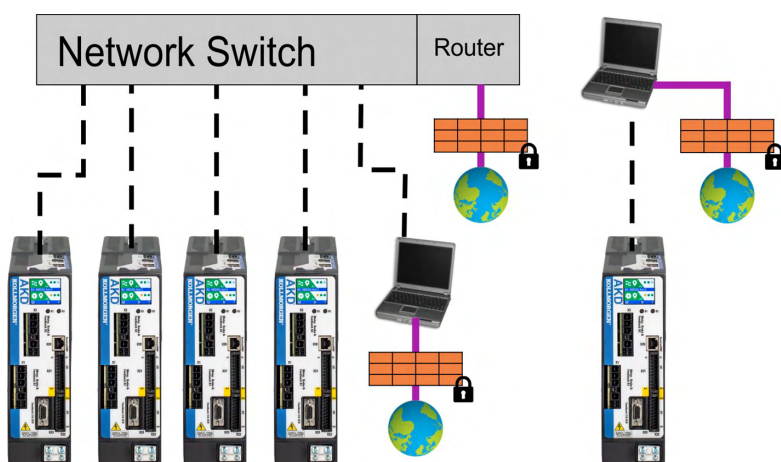
The DVD includes an installation program for the setup software. The latest setup software can be downloaded from www.kollmorgen.com.

Installation

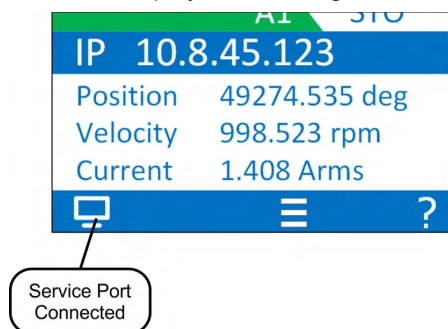
- Autostart function activated:
Insert the DVD into a free drive. A window with the start screen opens. There you find a link to the setup software WorkBench. Click it and follow the instructions.
- Autostart function deactivated:
Insert the DVD into a free drive. Click **Start** (task bar), then **Run**. Enter the program call: `x:\index.htm` (x = correct DVD drive letter).
Click **OK** and proceed as described above.

Connection to the EtherNet interface of the PC

- Connect the interface cable to an EtherNet interface on your PC or to a Switch and to the AKD2G service interface X20 (→ # 101).



The LCD display shows a sign, if the connection between AKD2G and WorkBench is active.



9.3 Switch-On and Switch-Off Behavior

This chapter describes the switch-on and switch-off behavior of the AKD2G with STO.

Behavior of “holding brake” function

Drives with an enabled holding brake function have a special timing for switching on and off the output stage (→ # 84). Events that remove the AXIS#.ACTIVE signal trigger the holding brake to apply. As with all electronic circuits, the general rule applies that there is a possibility of the internal holding brake module failing.

If the drive detects the motor to be at zero velocity (as configured by AXIS#.ZEROT and AXIS#.ZEROV) or timeout occurs during a stop procedure, the brake is applied. Set parameter AXIS#.MOTOR.BRAKEIMM to 1 with vertical axes, to apply the motor holding brake (→ # 84) immediately after faults or Hardware Disable.

Behavior when undervoltage condition is present

The behavior in an undervoltage condition depends on the VBUS.UVMODE setting.

| VBUS.UVMODE | DC Bus Undervoltage Mode. Consult the WorkBench Online Help for configuring the parameter. |
|-------------|---|
| 0 | The drive will report a F2007 undervoltage fault any time an undervoltage condition occurs. |
| 1 (default) | The drive will report a warning W2007 if not enabled. The drive will report a fault if the drive is enabled when the condition occurs, or an attempt is made to enable while an under voltage condition occurs. |

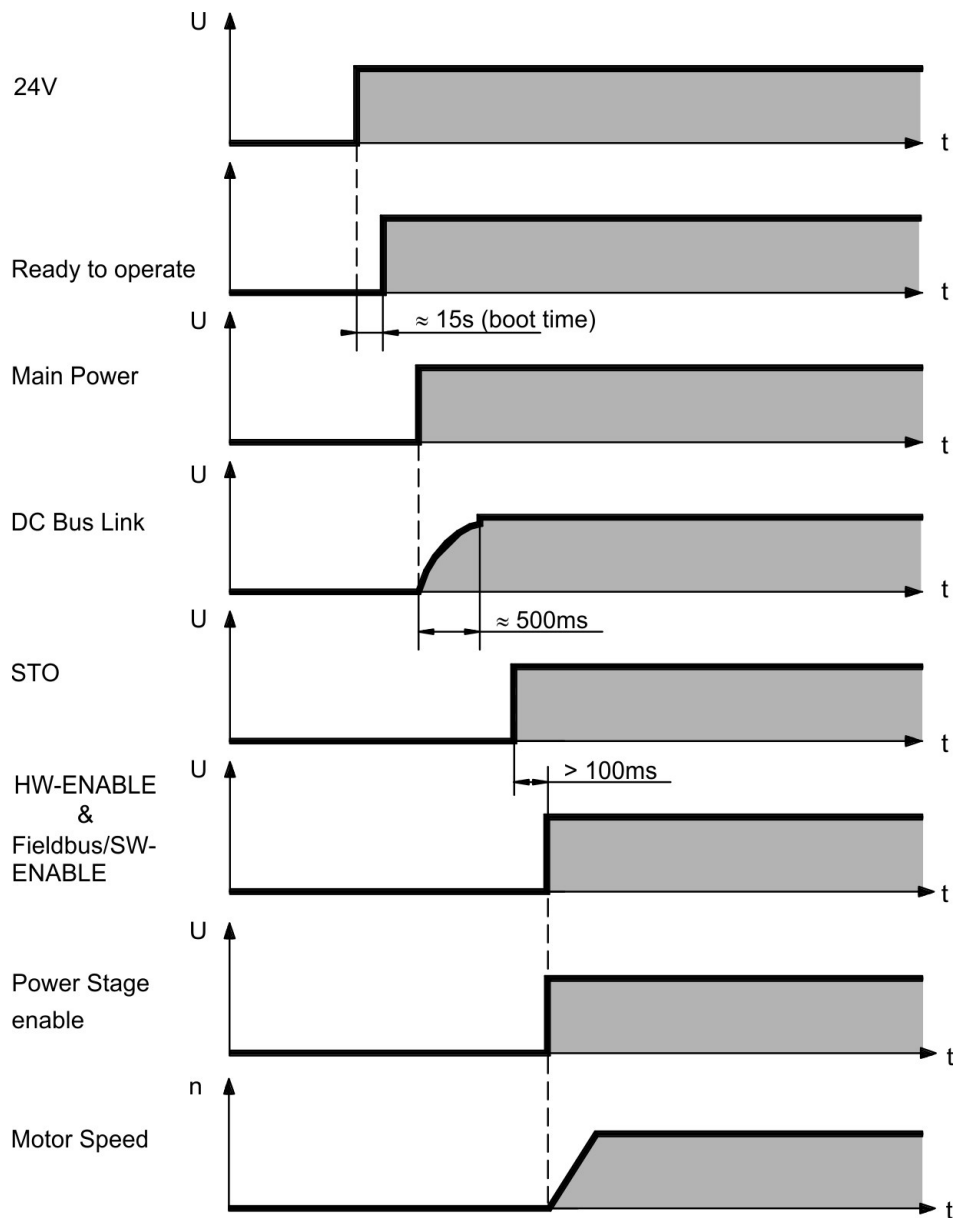
Functional Safety

The drive can be secured to standstill with STO. Even when power is being supplied, the drive shaft is protected against unintentional restart. The chapter “Functional Safety” describes how to use the safety functions (→ # 134).

- Functional safety, e.g. with hanging load (vertical axes), requires an additional brake, controlled for example from the second axis or externally from a safety controller. The brakes can be mapped to an axis with WorkBench.
- The Hardware Enable does not initiate a controlled stop but switches off the power stage immediately.
- Set parameter AXIS#.MOTOR.BRAKEIMM to 1 with vertical axes, to apply the brake immediately after faults or Hardware Disable.

9.3.1 Switch-on behavior in standard operation

The diagram below illustrates the correct functional sequence for switching the drive on.



9.3.2 Switch-off behavior

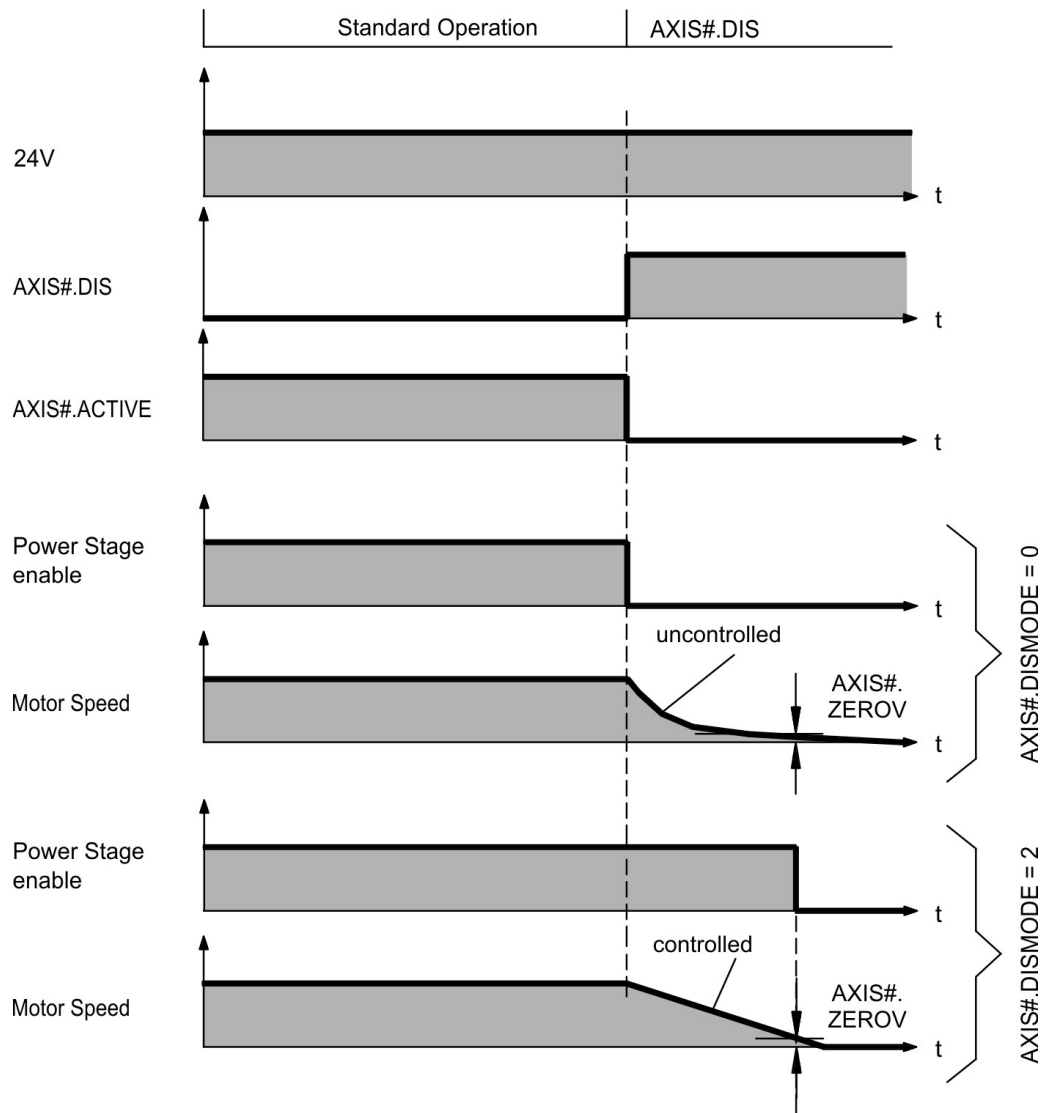
NOTE

The drive's 24 V supply must remain constant. STO disables the power stage immediately. Configured Digital Inputs and fieldbus commands can be used to perform controlled stops.

9.3.2.1 Switch-off behavior using the *AXIS#.DIS* command

The enable/disable button in WorkBench issues a *AXIS#.DIS* command internally to the drive. See *WorkBench Online Help* for configuring inputs and software commands. Sometimes this enable signal is called "Software Enable" (SW-Enable).

| AXIS#. DISMODE | <i>AXIS#.DISMODE</i> controls the behavior of the <i>AXIS#.DIS</i> command issued through WorkBench, or terminal, or fieldbus. |
|---------------------------------|---|
| 0 | Disable axis immediately, if the drive detects the motor to be at zero velocity <i>AXIS#.ZEROV</i> or timeout occurs brake is applied. Category 0 stop according to IEC 60204 (→ # 19). |
| 2 | Use controlled stop to disable drive, if the drive detects the motor to be at zero velocity <i>AXIS#.ZEROV</i> or timeout occurs brake is applied. Category 1 stop according to IEC 60204 (→ # 19). |

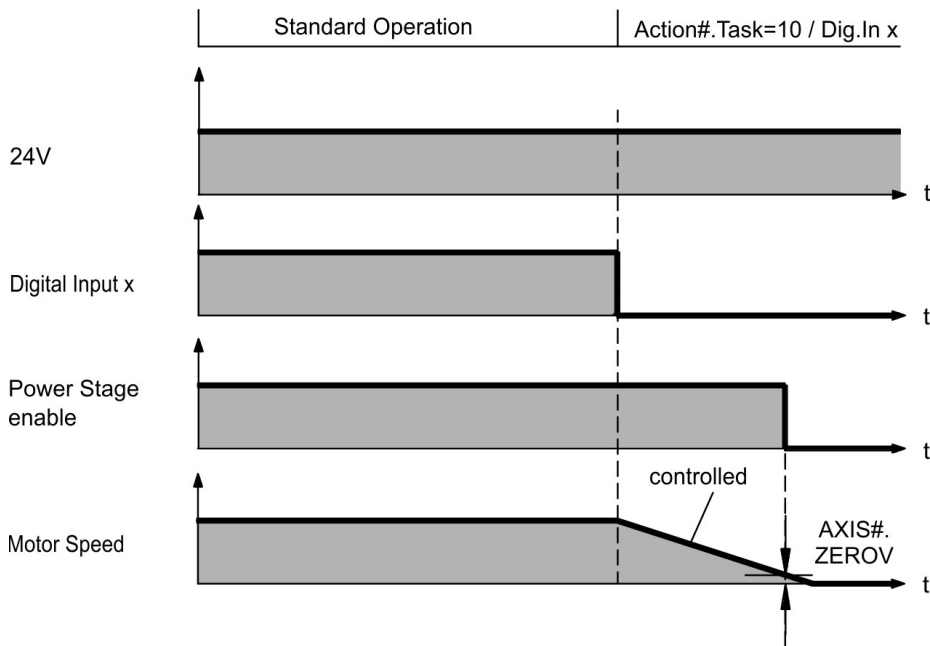


If the drive detects the motor to be at zero velocity (*AXIS#.ZEROV*) or timeout occurs (*AXIS#.ZEROT*), the motor brake is applied (→ # 84).

9.3.2.2 Switch-off behavior using a digital input (controlled stop)

This is a category 1 stop according to IEC 60204 (→ # 19).

A digital input can be configured to bring the motor to a controlled stop and then disable the drive and apply the holding brake.(if present). See the *WorkBench Online Help* for information on configuring Digital Inputs.

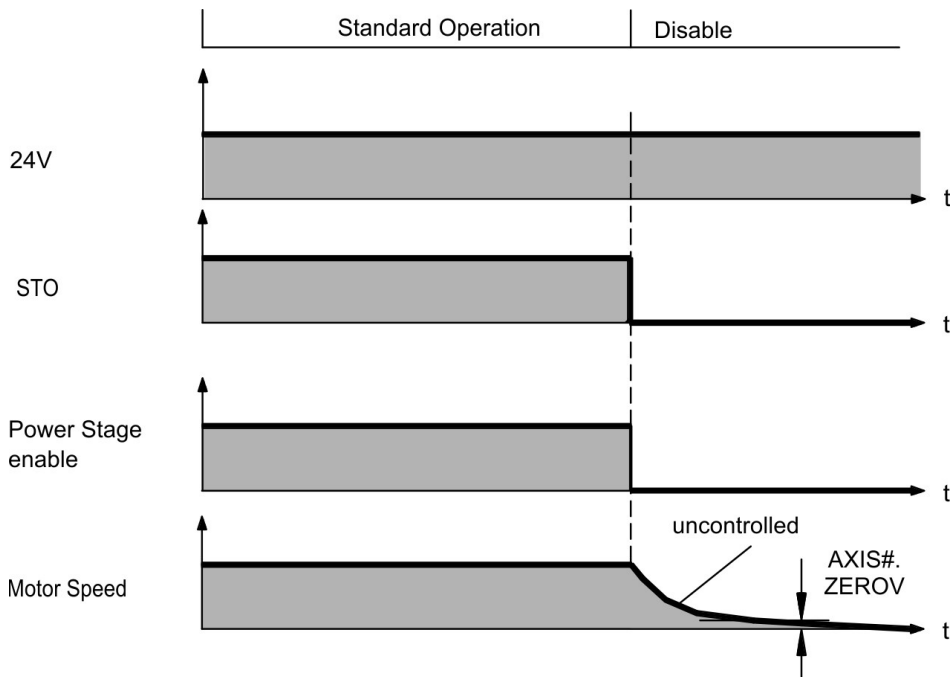


If the drive detects the motor to be at zero velocity (AXIS#.ZEROV) or timeout occurs (AXIS#.ZEROT), the motor brake is applied (→ # 84).

9.3.2.3 Switch-off behavior using STO input (uncontrolled stop)

This is a category 0 stop according to IEC 60204 (→ # 19).

The STO input disables the power stage immediately.



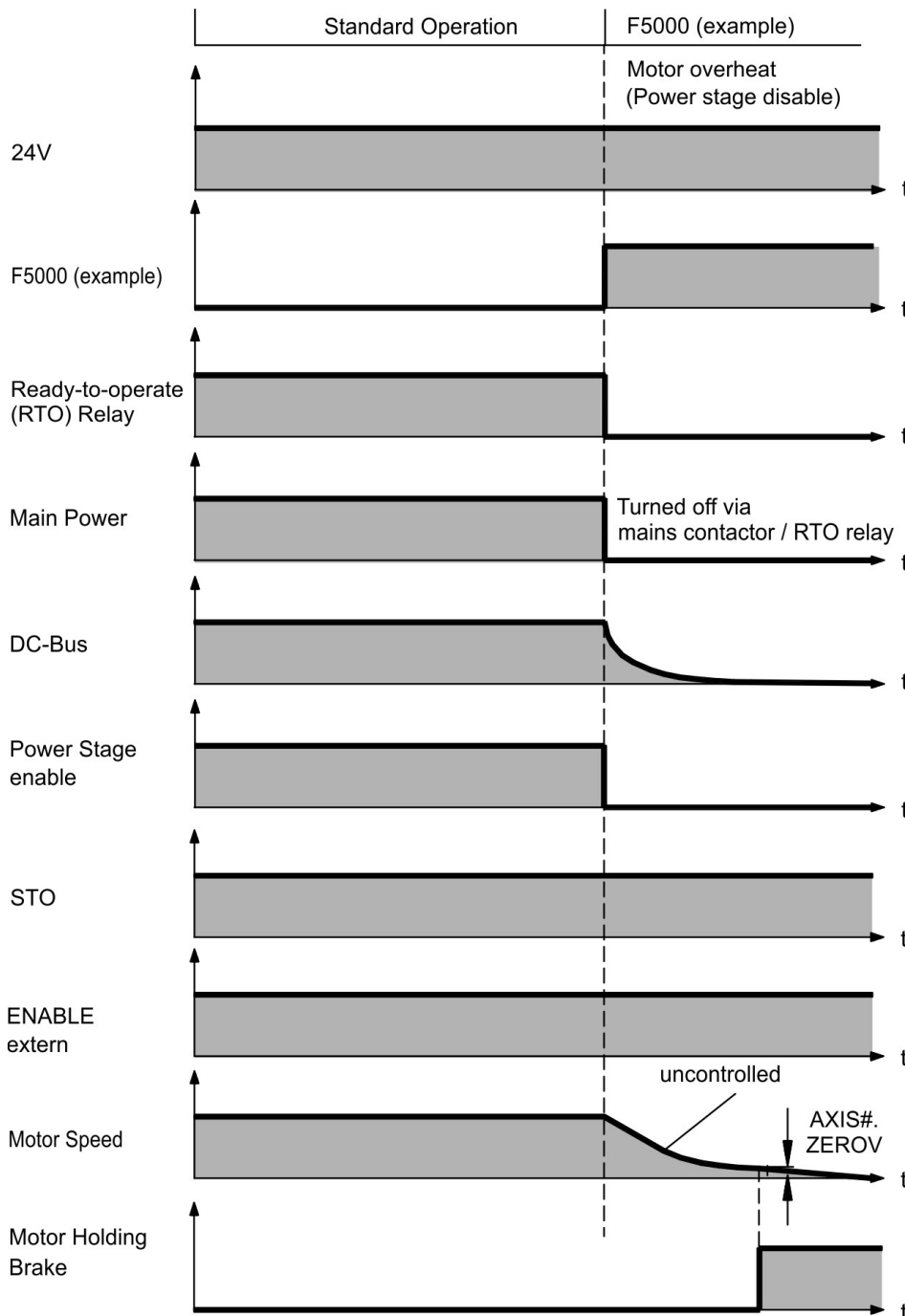
If the drive detects the motor to be at zero velocity (AXIS#.ZEROV) or timeout occurs (AXIS#.ZEROT), the motor brake is applied (→ # 84). Set parameter AXIS#.MOTOR.BRAKEIMM to 1 with vertical axes, to apply the motor holding brake immediately after STO.

9.3.2.4 Switch-off behavior in the event of a fault

The behavior of the drive always depends on the fault type and the setting of a number of different parameters (AXIS#.DISMODE, VBUS.UVFTHRESH, AXIS#.ZEROV, and others; see the *WorkBench Online Help* for more details). See the *Drive Fault and Warning Messages and Remedies* section of the *WorkBench User Manual* for a table describing the specific behavior of each fault. The next pages show examples for the possible fault behaviors. The fault relay output (DOUT9) switches the main contactor (Emergency Off circuit).

Switch-off behavior for faults that cause an immediate power stage disable

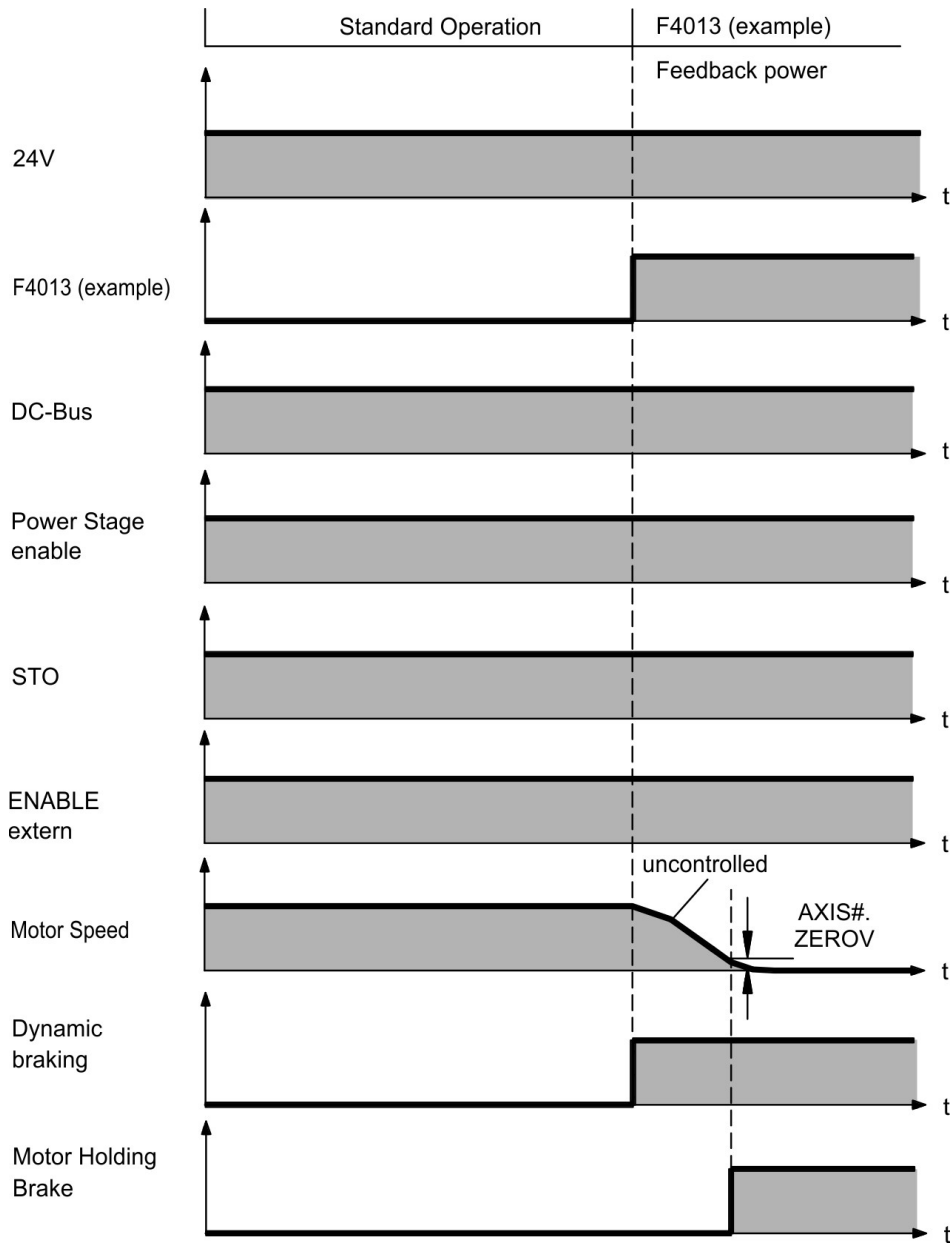
This is a category 0 stop according to IEC 60204 (→ # 19).



If the drive detects the motor to be at zero velocity (AXIS#.ZEROV) or timeout occurs (AXIS#.ZEROT), the motor brake is applied (→ # 84). Set parameter AXIS#.MOTOR.BRAKEIMM to 1 with vertical axes, to apply the motor holding brake immediately after faults.

Switch-off behavior for faults that cause dynamic braking

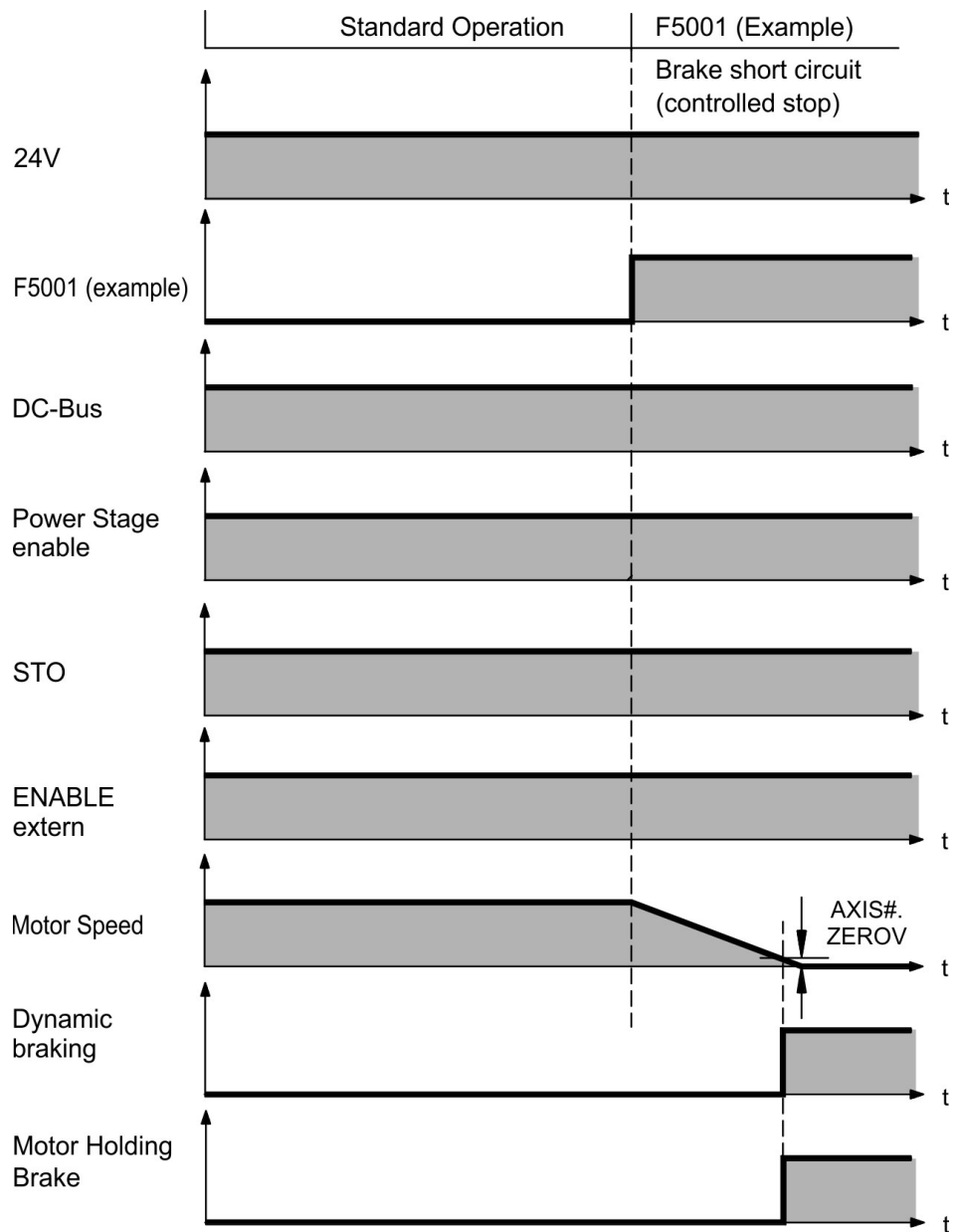
This is a category 2 stop according to IEC 60204 (→ # 19).



If the drive detects the motor to be at zero velocity (AXIS#.ZEROV) or timeout occurs (AXIS#.ZEROT), the motor brake is applied (→ # 84).

Switch-off behavior for faults that cause a controlled stop

This is a category 2 stop according to IEC 60204 (→ # 19).



If the drive detects the motor to be at zero velocity (AXIS#.ZEROV) or timeout occurs (AXIS#.ZEROT), the motor brake is applied (→ # 84).

9.4 Fault and Warning Messages

9.4.1 Fault and warning messages AKD2G

A Fault is generally a notification of a critical system failure which will stop machine operation. Depending on the severity of the fault will depend on which system-stop mechanism is used.

A Warning is generally a notification to the user which is not critical and does not require the machine to immediately shut off.

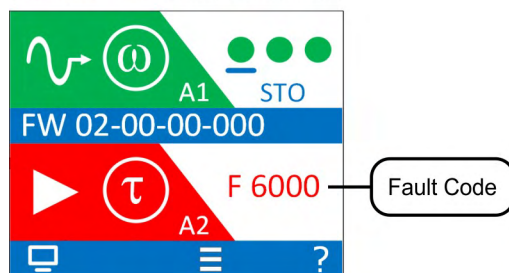
Faults and Warnings follow the same pattern and are identified by a four digit code:

G G X X, where GG is a two digit group code, and XX is a two digit ID.

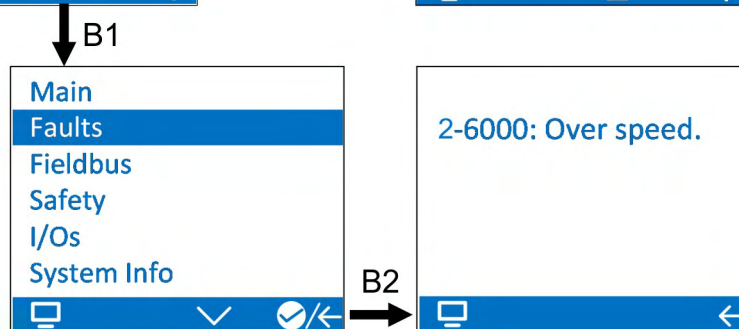
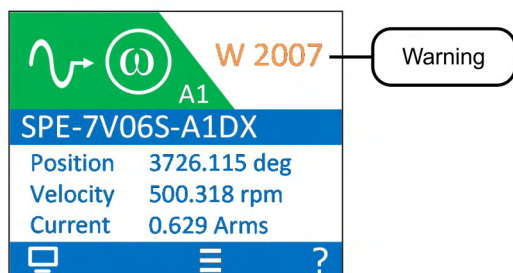
| GG | Group | GG | Group |
|----|-------------|----|--|
| 10 | System | 4# | Feedback (# indicates feedback number) |
| 11 | File | 50 | Motor |
| 15 | Hardware | 55 | Wake and Shake |
| 20 | Power | 60 | Motion |
| 25 | Temperature | 70 | Fieldbus |
| 30 | Software | 90 | Safety |

The display on the front panel of the drive shows the code of the fault or warning that occurred. Navigate with B1 / B2 to the Fault screen to see a short description of the fault or warning.

Example: dual axes, Fault Axis 2



Example: single axis, Warning Axis 1



You can retrieve faults on a per-axis basis with the parameter: `AXIS#.FAULTS`, where # is the Axis number. For retrieving warnings use `AXIS#.WARNINGS`, or `DRV.WARNINGS`.

Multiple faults may be present when a fault condition is occurring. Check the WorkBench Fault Screen or read the status of `DRV.FAULTS` and `AXIS#.FAULTS` for the entire list of faults.

`DRV.FAULTS` will return all faults across all axes, with the format `#-GGXX` where # is the axis number and GGXX is the four digit fault/warning code.

NOTICE

Eliminate errors and faults in compliance with work safety rules. Troubleshooting only by qualified and trained staff.

NOTE

More information about fault messages, remedy and clearing faults can be found in the WorkBench User Manual .

9.5 Troubleshooting

Drive problems occur for a variety of reasons, depending on the conditions in your installation. The causes of faults in multi-axis systems can be especially complex. If you cannot resolve a fault or other issue using the troubleshooting guidance presented below, customer support can give you further assistance.

NOTICE

Eliminate errors and faults in compliance with work safety rules. Troubleshooting only by qualified and trained staff.

NOTE

More details on the removal of faults can be found in the WorkBench User Manual.

| Problem | Possible Causes | Remedy |
|-------------------------------------|---|---|
| HMI message: Communication fault | <ol style="list-style-type: none"> wrong cable used, cable plugged into wrong position on drive or PC wrong PC interface selected | <ol style="list-style-type: none"> plug cable into the correct sockets on the drive and PC select correct interface |
| Drive does not enable | <ol style="list-style-type: none"> HW Enable configured but not wired HW or SW Enable not set | <ol style="list-style-type: none"> connect HW Enable to the selected input Apply 24V to HW Enable and select SW Enable in WorkBench / Fieldbus |
| Motor does not rotate | <ol style="list-style-type: none"> drive not enabled software enable not set break in setpoint cable motor phases swapped brake not released drive is mechanically blocked motor pole no. set incorrectly feedback set up incorrectly | <ol style="list-style-type: none"> apply ENABLE signal set software enable check setpoint cable correct motor phase sequence check brake control check mechanics set motor pole no. set up feedback correctly |
| Motor oscillates | <ol style="list-style-type: none"> gain is too high (speed controller) feedback cable shielding broken AGND not wired up | <ol style="list-style-type: none"> reduce AXIS#.VL.KP (speed controller) replace feedback cable join AGND to CNC-GND |
| Drive reports following error | <ol style="list-style-type: none"> I_{rms} or I_{peak} set too low current or velocity limits apply accel/decel ramp is too long | <ol style="list-style-type: none"> verify motor/drive sizing verify that AXIS#.IL.LIMITN/P, AXIS#.VL.LIMITN/P are not limiting the drive reduce AXIS#.ACC/AXIS#.DEC |
| Motor overheating | <ol style="list-style-type: none"> motor operating above its rating motor current settings incorrect | <ol style="list-style-type: none"> verify motor/drive sizing verify motor continuous and peak current values are set correctly |
| Drive too soft | <ol style="list-style-type: none"> AXIS#.VL.Kp (velocity) too low AXIS#.VL.Ki (velocity) too low filters set too high | <ol style="list-style-type: none"> increase AXIS#.VL.KP (velocity) increase AXIS#.VL.KI (velocity) refer to documentation regarding reducing filtering (AXIS#.VL.AR*) |
| Drive runs roughly | <ol style="list-style-type: none"> AXIS#.VL.Kp (velocity) too high AXIS#.VL.Ki (velocity) too high filters set too low | <ol style="list-style-type: none"> reduce AXIS#.VL.KP (velocity) reduce AXIS#.VL.KI (velocity) refer to documentation regarding increasing filtering (AXIS#.VL.AR*) |

-- / --

10 Safety Manual

Valid for AKD2G Hardware Revision A

NOTICE

Beta drives: Safety functions are neither approved nor certified yet. Do not use this functionality in applications with functional safety request until further notice.

Revision History for Safety Manual

| Revision | Remarks |
|---------------|--|
| S101, 12/2019 | Functional Safety Option 1 |
| S102, 04/2020 | Default setting: STO active, max. length of unshielded digital I/O lines (3 m), trouble shooting updated, description F9004/9005 updated, SFF = 75%, STO certified |
| | |

| | | |
|-------------|---|------------|
| 10.1 | General notes | 134 |
| 10.2 | Verification | 137 |
| 10.3 | Safety Function Option 1 (I/O, SIL2 PLd) | 137 |
| 10.4 | Settings | 143 |
| 10.5 | Safety Faults, Safety Warnings | 144 |
| 10.6 | Functional Safety Parameter Reference | 146 |

10.1 General notes

Resulting Functional Safety classification (SIL and/or PL level) is calculated across the drive system. The drive system usually consists of

- motion controller (e.g. AKC/KAS),
- safety controller (e.g. KSM),
- servo drives (AKD2G) and servo motors (e.g. AKM2G),
- motor brakes, feedback systems,
- cables to connect drive and motor,
- sensors/actors.

The safety properties listed in this chapter can be reached with Kollmorgen components.

NOTICE

The user must ensure the compliance of the application with all relevant directives and local electrical code. The user is responsible for implementation and validation of the drive system and safety system.

Only properly qualified personnel are permitted to perform such tasks as installation, setup and verification/validation.

- Mechanical installation: only by qualified personnel with mechanical expertise according to IEC 60417-6183.
- Electrical installation: only by qualified personnel with electrotechnical expertise according to IEC 60417-6182.
- Parameterizing Functional Safety: only by trained personnel with expertise appropriate to the complexity and safety integrity level of the drive system.
- Verification/Validation: only by trained personnel after any changes to the installation. The expertise of the personnel must be appropriate to the complexity and safety integrity level of the drive system.

NOTE

Safe State: The safe state is always to remove the motor torque on all axes, to apply the brake(s), to de-energize all the safe digital outputs and to set the safe fieldbus connection to safe state (if applicable).

Fail-safe: I/O failure and internal failure (such as problems detected on the drive or on the safety system itself) lead to safe state.



CAUTION High electrical voltage!

Risk of electrical shock! The safety functions do not provide an electrical separation from the power output. If manual access to the motor or drive power terminals is necessary,

- disconnect the drive from mains supply,
- consider the discharging time of the DC-Bus link,
- ensure the cabinet is safely disconnected and protected against unintended switch-on (for instance, with a lock-out and warning signs).

10.1.1 Use as directed

Safety functions are intended to reduce the risk of the machine operation to the required tolerable risk. To achieve functional safety, the wiring of the safety circuits must meet the safety requirements of IEC 60204, ISO 12100 and ISO 13849.

NOTICE

- The network, where the drive is connected to, must be secured according to state-of-the-art information technology security requirements.
- The user IT specialists shall analyze whether further security requirements are applicable to ensure functional safety.
- The drive firmware can be updated. The parameter sets must be reloaded, verified and proof tested before normal operation is started.
- In certain types of machinery, two motors drive a single mechanical axis. It is the responsibility of the user to ensure that a fault reaction on the first motor-drive set is also carried out on the second motor-drive set and vice-versa. Safe I/O and/or a safe field bus such as FSoE can be used to achieve this.
- Beta drives: Safety functions are neither approved nor certified yet. Do not use this functionality in applications with functional safety request until further notice.

10.1.2 Prohibited use

The safety functions must not be used if the drive is to be made inactive for Emergency-Off situations. In an Emergency-Off situation, the main relay is switched off (by the Emergency-Off button).

The STO function requires two-channel control if the performance level SIL2 / PLd Cat. 3 in the system is to be achieved. The connection of a constant 24 VDC voltage to one of the STO inputs is not permitted if the safety function is to be used.

The device does not require maintenance. Opening the device voids the warranty. In case of damage or malfunction the drive must be sent for repair or must be replaced.

10.1.3 Abbreviations used for functional safety

More abbreviations see (→ # 12).

| Abbreviation | Meaning |
|--------------|---|
| A#, AXIS# | A# or AXIS# are placeholders for the axis number. Used with parameters (AXIS#.SAFE.STO.ACTIVE) or signal names (STO-A-A#) |
| (→ # 53) | "see page 53" in this document |
| → xyz | "see chapter xyz" in this document |
| CCF | Common cause failure |
| FS1 | Functional Safety Option 1 (STO) |
| HFT | Hardware fault tolerance |
| MTTFd | Mean time to dangerous failure |
| OSSD | Output Switching Signal Device |
| PELV | Protective Extra Low Voltage |
| PFHd | Probability of dangerous failure per hour |
| PL | Performance Level |
| SC | Systematic Capability |
| SFF | Safe failure fraction |
| SIL | Safety Integrity Level |
| STO | Safe Torque Off |
| TM | Mission time |

10.1.4 Enclosure, wiring

Enclosure

Since the drive meets IP20, you must select an enclosure that permits safe operation of the drive. The enclosure must at least meet IP54 .

| Transport in accordance with IEC 61800-2 | |
|--|---|
| NOTE | Transport only in the manufacturer's original recyclable packaging. |
| Temperature | -25 to +70 °C, maximum rate of change 20 K/hour, class 2K3. |
| Relative Humidity | max. 95% at +40°C, no condensation, class 2K3. |
| Shock | NOTICE: Avoid shocks while transporting. AKD2G modules are tested for environmental class 2M1 of IEC 60721-3-2. |
| Storage in accordance with IEC 61800-2 | |
| Temperature | -25 to +55 °C, maximum rate of change 20 K/hour, class 1K4. |
| Relative Humidity | 5 to 95% , no condensation, class 1K3. |
| Operation in accordance with IEC 61800-2 | |
| Environmental class | Environmental class 3K3 |
| Temperature | Internal regen resistor used: <ul style="list-style-type: none"> ● 0 to +40 °C under rated conditions ● +40 to +60 °C with current derating 3 % per Kelvin Internal regen resistor not used: <ul style="list-style-type: none"> ● 0 to +50 °C under rated conditions ● +50 to +60 °C with current derating 2 % per Kelvin |
| Relative Humidity | 5 to 85%, no condensation, IEC 61800-2 class 3K3 |
| Site altitude | <ul style="list-style-type: none"> ● Up to 1000 m above mean sea level (AMSL): no restriction ● 1,000 to 2,000 m AMSL: power derating 1.5%/100 m ● Maximum altitude: 2000 m AMSL |
| Drive EMC immunity | Increased immunity according to EN 61800-5-2 |
| Drive Pollution level | Pollution level 2 as per IEC 60664-1 |
| Drive Vibration class | Class 3M1 according to IEC 61800-2 |
| Drive Shock class | Class L according to IEC 61800-2 |
| Drive protection class | IP20 according to IEC 60529 |
| Enclosure | Minimum cabinet size (WxHxD): 406 x 406 x 254 mm |
| Enclosure protection | At least IP 54 according to IEC 60529 |

Wiring

Wiring inside the specified enclosure (IP54) must meet the requirements of the standard IEC 60204-1 and ISO 13849-2 (Table D.4). Use copper wires, 0.5 mm² (20 awg), wire ferules. Maximum distance for unshielded I/O lines is 3 m inside the cabinet. If the I/O cable leaves the cabinet, it must be EMC shielded.

Wiring outside the specified enclosure must be laid durably protected from outside damage (for example, by laying the cable in a duct, placed in different sheathed cables, or protected individually by grounding connection).

NOTICE

When wiring the digital inputs and outputs, take care, that short circuits between the inputs, the outputs or to a supply line are avoided.

10.2 Verification

Check and verify the STO wiring (examples (→ # 139)). The installation must be verified by trained personnel after any changes to the installation. The expertise of the personnel must be appropriate to the complexity and safety integrity level of the drive system.

Proof test

NOTICE

You must test the STO function after initial start of the axis, after each intervention into the wiring of the system, or after exchange of one or several components of the drive system. The proof test interval shall be one year to meet the required PFH.

Precondition: [AXIS#.SAFE.STO.REPORTFAULT](#) = 1

Warning: Do not enter hazardous area during proof test!

| Method 1, axis remain enabled | Method 2, axis disabled |
|--|---|
| 1. Stop the axis to standstill. | 1. Stop the axis to standstill. |
| 2. Caution: Block vertical load. | 2. Caution: Block vertical load. |
| 3. Keep the axis enabled. | 3. Disable the axis. |
| 4. Activate the STO function for example by opening the protective screen. | 4. Activate the STO function, for example, by opening the protective screen |
| 5. The axis displays fault F9000. | 5. The axis displays fault W9000. |

10.3 Safety Function Option 1 (I/O, SIL2 PLd)

NOTICE

Beta drives: Safety functions are neither approved nor certified yet. Do not use this functionality in applications with functional safety request until further notice.

Valid for AKD2G devices with Functional Safety Option 1:

AKD2G - xxx - xxxxx - x1xx - xxxx

The safety function STO on the AKD2G with functional safety option 1 is certified.

NOTICE

The drive is ready to operate with pre-configured STO function.

Standards

| Standard | Content |
|----------------|---|
| ISO 13849:2015 | Safety of machinery: Safety-related parts of control systems |
| IEC 62061:2015 | Functional safety of electrical/electronic/programmable electronic safety-related systems |

Available Safety Functions

| Abbr. | Function | Activation | Refer to |
|-------|-----------------|--|-----------|
| STO | Safe Torque Off | Safe digital inputs for one or for both axis | (→ # 139) |

10.3.1 Safety Properties Overview

OSSD test pulses are not required. The inputs however are compatible with safety equipment that emits test pulses. Incoming test pulses of up to 1 ms duration are ignored. The dwell time of the test pulses should not exceed 10%.

The hardware fault tolerance is HFT = 1 according to IEC 61508. Two faults might lead to loss of the safety functions.

The systematic capability according to IEC 61508 for the safety-related subsystems of the drive are SC = 2. TM = 20 Years, SFF = 75%.

| Function | ISO 13849-1 | MTTF _d Years | DC _{AVG} [%] | IEC 62061 | PFH [1/h] | CCF [%] | Response time |
|------------------|--------------|-------------------------|-----------------------|-----------|-----------|---------|---------------|
| STO dual channel | PL d, Cat. 3 | ≥100 | ≥60 | SIL 2 | 3.44E-08 | >65 | < 3.5 ms |

10.3.2 Technical Data

NOTE

Safe inputs are fixed to the STO function.

When STO function (Safe Torque Off) is not needed, then all STO inputs must be connected directly with +24 V. The STO function is then bypassed and cannot be used.

I/O hardware data

- Reference ground is DGND
- Galvanic isolation for 60 VDC
- Activation delay about 5 μs
- De-activation delay about 500 μs
- Use 24 VDC ±15% PELV power supply
- High level 17 VDC to 30 VDC, 5 mA to 6 mA
- Low level 0 VDC to 5 VDC, max. 1 mA

Pinout

| X21 | Signal | Description |
|-----|----------|----------------------------|
| A11 | STO-A-A1 | STO channel A (for axis 1) |
| B11 | STO-B-A1 | STO channel B (for axis 1) |

Drives with two axes, or option IO or DX:

| X22 | Signal | Description |
|-----|----------|----------------------------|
| A12 | STO-A-A2 | STO channel A (for axis 2) |
| B12 | STO-B-A2 | STO channel B (for axis 2) |

Parameters

| Parameter | Description |
|--|---|
| AXIS#.SAFE.STO.A | Reads the status of STO input channel A for axis #. |
| AXIS#.SAFE.STO.B | Reads the status of STO input channel B for axis #. |
| AXIS#.SAFE.STO.ACTIVE | Reads the STO status of axis #. |
| AXIS#.SAFE.STO.REPORTFAULT | F9000 and W9000 are triggered for axis # only, if set to 1 (default). |

NOTE

For parameter description refer to the *Safety Parameters Reference Guide* (→ # 146).

Factory Default Settings

- The drive is ready to operate with pre-configured STO function.
- [AXIS#.SAFE.STO.REPORTFAULT](#) is set to 1.

10.3.3 STO (Safe Torque Off)

Safe Torque Off description for drive option Functional Safety 1.

STO is suited for SIL 2 according to IEC 62061 and PLd / Cat.3 according to ISO 13849-1. STO is a type A subsystem according to IEC 61508.

STO turns off the drive output stage that powers the motor. STO function corresponds to an uncontrolled braking according to IEC 60204-1, category 0.

10.3.3.1 Important Notes

NOTICE

The safety properties given in this documentation refers to the device AKD2G with functional safety option 1. The user has to determine the safety properties of the safety chain.



WARNING Vertical load could fall!

Serious injury could result when a suspended load is not properly blocked. The drive cannot hold a vertical load when STO is active.

- Add a safe mechanical blocking (for instance, a motor-holding brake).

10.3.3.2 Activation

The digital STO inputs (channel A and B) must be connected to the output of a safety device, which at least meets the requirements of PLd, Cat. 3 according to ISO 13849. Technical data of the safe inputs (→ # 138).

If one of the STO inputs goes open-circuit or 0 V, then power supply to the motor stops within 3.5 ms. The motor will lose all torque and coast to a stop.

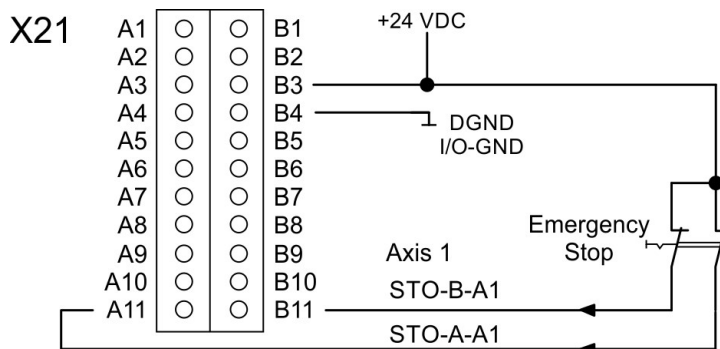
If the drive detects that the two STO inputs are in a different state for longer than 100 ms, then a simultaneity fault F9005 occurs (→ # 142).

NOTE

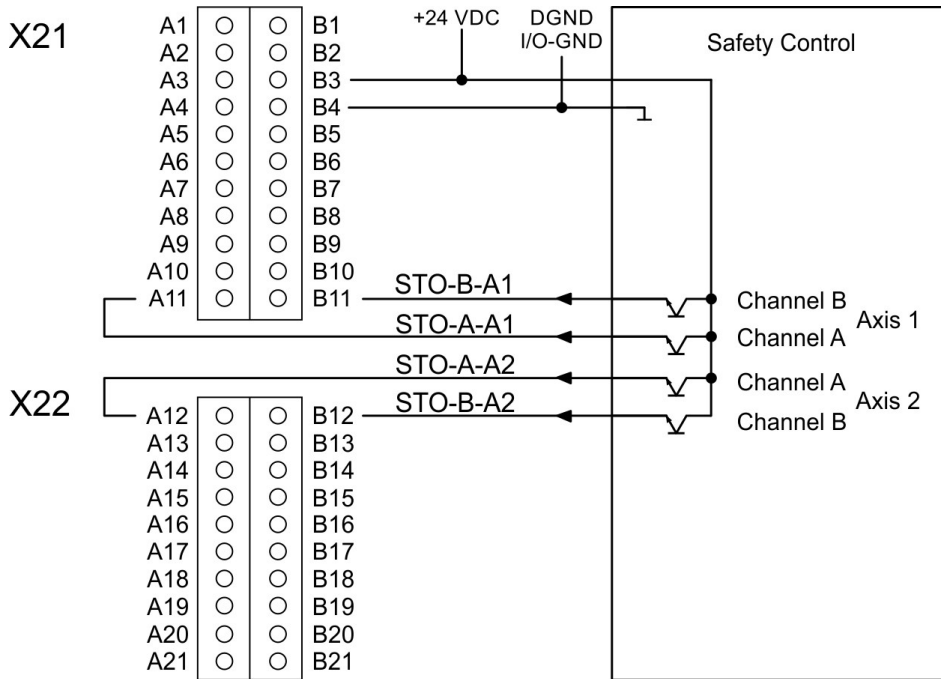
Review the enclosure and wiring instructions (→ # 136).

Wiring example STO single axis, SIL2/PLd, Emergency Stop

Note: [AXIS#.SAFE.STO.REPORTFAULT](#) should be set to 1 if STO is activated by a switch.



Wiring example STO dual axis, SIL2/PLd, Safety Control



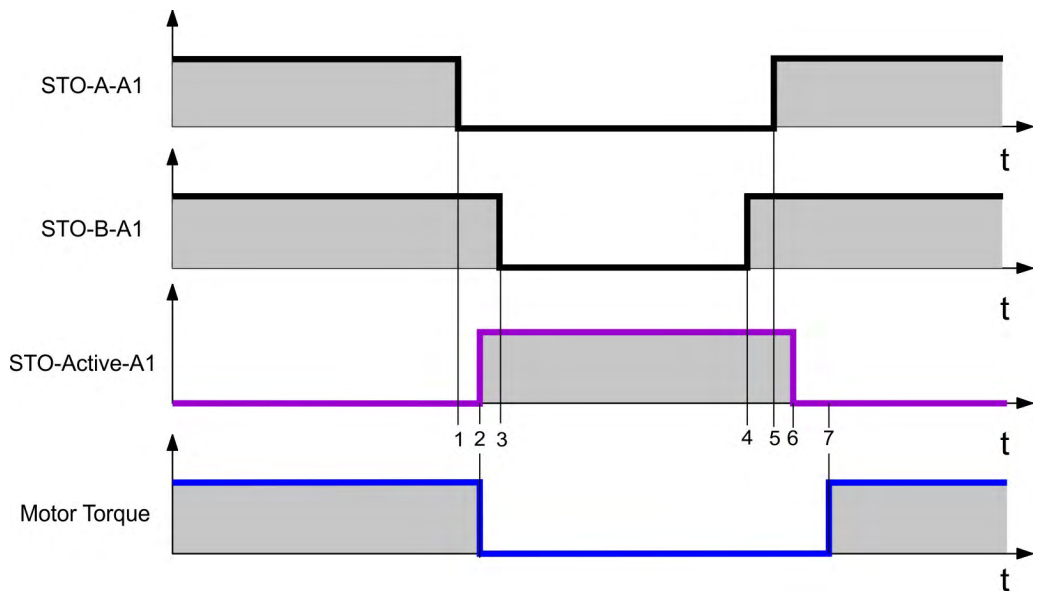
10.3.3.3 Restart

Example for Axis 1.

| | AXIS1.SAFE.STO. REPORTFAULT = 1 | AXIS1.SAFE.STO. REPORTFAULT = 0 |
|---|--|--|
| Example 1: Axis 1 was disabled, STO is activated | Message W9000 Restart: 1. deactivate STO 2. enable axis 1 | Restart: 1. deactivate STO 2. enable axis 1 |
| Example 2: Axis 1 was enabled, STO is activated | Messages W9000 and F9000 Restart: 1. disable axis 1 2. deactivate STO 3. clear fault 4. enable axis 1 | Restart: 1. deactivate STO |
| Example 3: Axis 1 was disabled, STO is activated faulty | Message F9005 Restart: 1. check wiring 2. remedy the cause 3. deactivate STO 4. clear fault 5. enable axis 1 | Message F9005 Restart: 1. check wiring 2. remedy the cause 3. deactivate STO 4. clear fault 5. enable axis 1 |

10.3.3.4 Timing

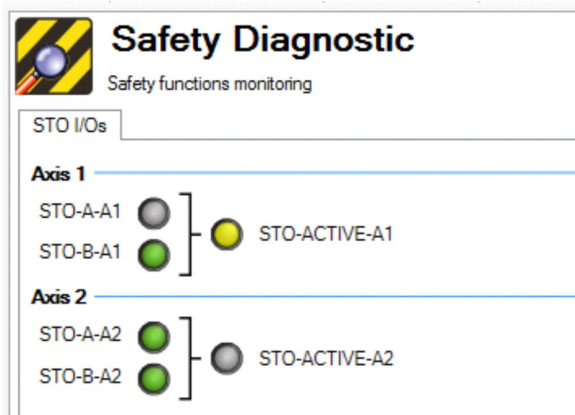
Example for axis 1.



| Timing | max | Remarks |
|----------|--------|--|
| t1 | | STO channel A enabled (0 V) |
| t1 to t2 | 2 ms | STO enable delay (response time) |
| t2 | | STO active |
| t3 | | STO channel B enabled (0 V) |
| t1 to t3 | 100 ms | accepted delay between dual channel edges |
| t4 | | STO channel B disabled (+24 V) |
| t5 | | STO channel A disabled (+24 V) |
| t4 to t5 | 100 ms | accepted delay between dual channel edges |
| t5 to t6 | 2 ms | STO release delay |
| t6 | | STO release |
| t6 to t7 | | Zero if AXIS#.SAFE.STO.REPORTFAULT=0 Until 'no fault' if AXIS#.SAFE.STO.REPORTFAULT=1 |
| t7 | | Power section released. |

10.3.3.5 Safety Diagnostic view in WorkBench

The WorkBench view "Safety Diagnostic" shows the current status on the safe inputs ([AXIS#.SAFE.STO.A](#) / [AXIS#.SAFE.STO.B](#)) and the logical status of the STO function for every axis.



10.3.3.6 Fault Reaction / Failure Messages

With the dual-channel control of the STO (SIL2/PLd Cat.3) safety function, the switch-off paths STO-A-A# and STO-B-A# are switched separately by two outputs of a safety controller.

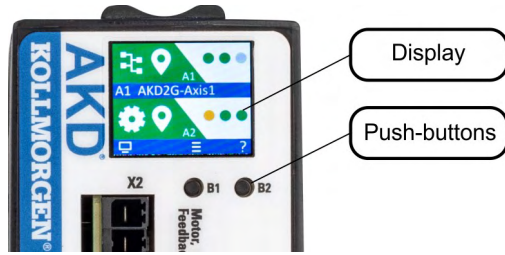
W9000 and F9000 are conditioned by the value of [AXIS#.SAFE.STO.REPORTFAULT](#). If this parameter is set to 1 (default value) then the W9000 and F9000 will be triggered as described.

| STO-A-A# | STO-B-A# | ENABLE | Drive Message | Motor Torque | Safe State |
|----------|----------|--------|---------------|--------------|------------|
| 0 V | 0 V | 0 V | W9000 | no | yes |
| 0 V | 0 V | +24 V | F9000 | no | yes |
| +24 V | +24 V | 0 V | - | no | no |
| +24 V | +24 V | +24 V | - | yes | no |
| +24 V | 0 V | 0 V | F9005* | no | yes |
| +24 V | 0 V | +24 V | F9005* | no | yes |
| 0 V | +24 V | 0 V | F9005* | no | yes |
| 0 V | +24 V | +24 V | F9005* | no | yes |

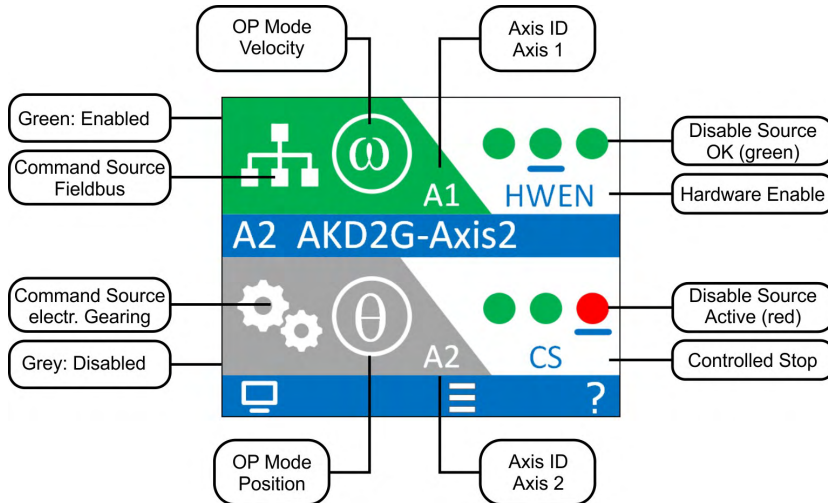
* different status of STO-A/B for more than 100 ms

A#: A1 for axis 1 or A2 for axis 2.

10.4 Settings



Display (example for a dual-axis module)



Push-buttons (B1, B2)

A short button press invokes the action corresponding to the symbol directly above the button. On the dashboard for example,

- a short press on B1 causes the menu system to appear, and
- a short press on B2 causes a help screen to appear.
- A long press (greater than 2 seconds) on B2 returns the display to the previous screen.

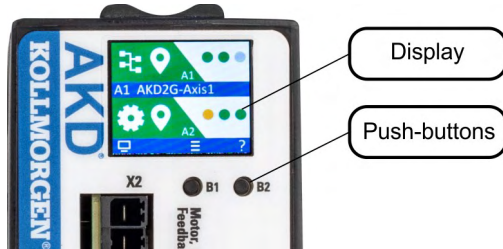
| B1 / B2 Functions | Description |
|--------------------------------|--|
| Boot from SD card | Push both buttons during power up to boot with data from SD card. Press the buttons first, then hold it down while turning on the 24 V power supply. |
| Boot from flash fallback image | Remove the SD card, then press both buttons and hold them down while turning on the 24 V power supply to boot from an on-board recovery image. |

10.5 Safety Faults, Safety Warnings

AKD2G with safety option 1 do not have safety failure modes.

10.5.1 Drive LCD Display

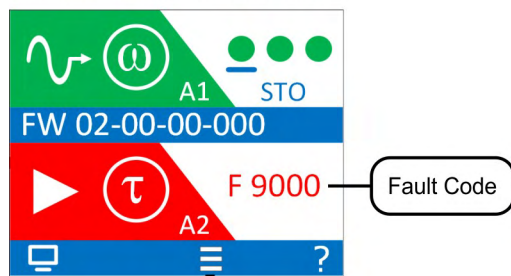
The drive offers an LCD display and two push-buttons B1 / B2 for navigation.



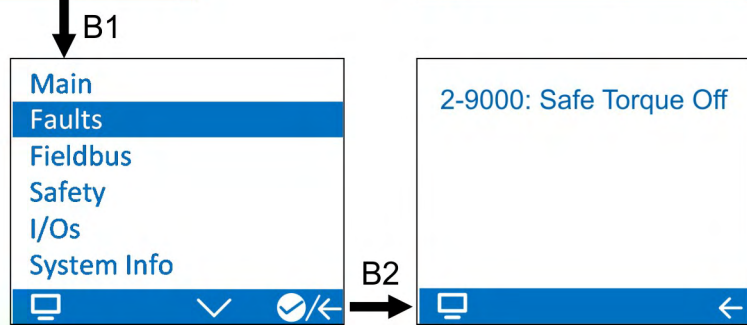
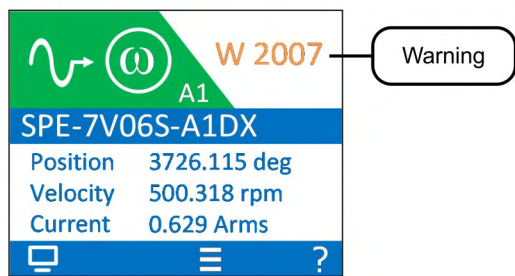
The display on the front panel of the drive shows the code of the fault or warning that occurred. Safety Faults and Warnings follow the same pattern and are identified by a four digit code 90 XX, where 90 is the two digit group code, and XX is a two digit ID.

Navigate with B1 / B2 to the Fault screen to see a short description of the fault or warning. See WorkBench Onlinehelp for details.

Example: dual axes, Fault Axis 2



Example: single axis, Warning Axis 1



10.5.2 Drive Safety Faults

NOTE

More information about drive fault messages, remedy and clearing faults can be found in the WorkBench User Manual.

| # | Description | Cause | Remedy |
|-------|--|--|---|
| F9000 | Safe torque off. | STO function has been triggered. | Reapply supply voltage to STO if safe to do so. |
| F9004 | Safe torque off digital and analog lines don't match | Hardware fault on the power board. | Contact Customer Support |
| F9005 | STO Simultaneity | The two STO inputs did not change state within 100 ms of each other. | Check wiring and safety apparatus |

10.5.3 Drive Safety Warnings

NOTE

More information about drive warnings can be found in the WorkBench User Manual.

| # | Description | Cause | Remedy |
|-------|------------------|----------------------------------|---|
| W9000 | Safe torque off. | STO function has been triggered. | Reapply supply voltage to STO if safe to do so. |

10.5.4 Troubleshooting safety functionality

NOTICE

Eliminate errors and faults in compliance with work safety rules. Troubleshooting only by qualified and trained staff.

| Problem | Possible Causes | Remedy causes |
|---|--|---|
| A group "90" safety fault or safety warning message is visible in the drive LCD display | Refer to the Drive Safety Fault and Warning tables (→ # 145). | |
| A fault or warning message of another group than "90" is visible in the drive LCD display | Refer to the drive fault and drive warnings tables (→ # 130) and more detailed descriptions in the WorkBench User Manual. | |
| Safety faults and warnings are not visible/reported | AXIS#.SAFE.STO.REPORTFAULT is set to 0 | Set AXIS#.SAFE.STO.REPORTFAULT to 1 |
| STO cannot be deactivated (no torque) | <ol style="list-style-type: none"> External safety device defective. STO wiring defective. Auxiliary voltage low. STO inputs defective. F9004 visible F9005 visible. OSSD pulses too long (>1ms). STO channels are unequal for more than 100ms. | <ol style="list-style-type: none"> Check external safety device. Check STO wiring for short-circuit or similar. Check voltage level (→ # 138) . Send drive to manufacturer for repair. Send drive to manufacturer for repair. Check safety hardware system. Check safety controller. Switch off OSSD. Check external safety device. |
| Drive does not enable | <ol style="list-style-type: none"> STO is still active. | <ol style="list-style-type: none"> Deactivate STO prior to HW Enable. |

10.6 Functional Safety Parameter Reference

Legend

- Acc. = Access: RO = Read Only, RW = Read/Write, WO = Write Only
- n/a = not available, Y = Yes, N = No
- Parameters are sorted alphanumeric

| Parameters related to safety functions | Acc. | Default | Parameter Package | CoE | |
|--|------|---------|-------------------|-------|-----|
| | | | | Index | Sub |
| AXIS1.SAFE.STO.A | RO | n/a | n/a | 5007 | 3 |
| AXIS2.SAFE.STO.A | RO | n/a | n/a | 5107 | 3 |
| AXIS1.SAFE.STO.ACTIVE | RO | n/a | n/a | 5007 | 2 |
| AXIS2.SAFE.STO.ACTIVE | RO | n/a | n/a | 5107 | 2 |
| AXIS1.SAFE.STO.B | RO | n/a | n/a | 5007 | 4 |
| AXIS2.SAFE.STO.B | RO | n/a | n/a | 5107 | 4 |
| AXIS1.SAFE.STO.REPORTFAULT | RW | 1 | Drive | 5007 | 1 |
| AXIS2.SAFE.STO.REPORTFAULT | RW | 1 | Drive | 5007 | 1 |

10.6.1 Safety Parameters, sorted alphanumeric

10.6.1.1 AXIS#.SAFE.STO.A

Description

Indicates the state for STO-A input.

| Value | Description |
|-------|---|
| 1 | 24V present (STO inactive, allowed to enable) |
| 0 | 24V not present (STO active, axis disabled) |

Context

For full STO information refer to " STO (Safe Torque Off)" (→ # 139).

Versions

| Action | Version | Notes |
|-------------|--------------|-------|
| Implemented | 02-00-00-000 | |

General Information

| | |
|-------------------------------|-----------|
| Type | Read Only |
| Units | N/A |
| Range | 0 or 1 |
| Default Value | N/A |
| Data Type | Integer |
| Stored in Non Volatile Memory | No |

10.6.1.2 AXIS#.SAFE.STO.B

Description

Indicates the state for STO-B input.

| Value | Description |
|-------|---|
| 1 | 24V present (STO inactive, allowed to enable) |
| 0 | 24V not present (STO active, axis disabled) |

Context

For full STO information refer to " STO (Safe Torque Off)" (→ # 139).

Versions

| Action | Version | Notes |
|-------------|--------------|-------|
| Implemented | 02-00-00-000 | |

General Information

| | |
|-------------------------------|-----------|
| Type | Read Only |
| Units | N/A |
| Range | 0 or 1 |
| Default Value | N/A |
| Data Type | Integer |
| Stored in Non Volatile Memory | No |

10.6.1.3 AXIS#.SAFE.STO.ACTIVE**Description**

Indicates the Safe Torque Off (STO) state of the axis.

| Value | Description |
|-------|---------------------------|
| 1 | STO active (inputs +0V) |
| 0 | STO inactive (inputs 24V) |

Context

For full STO information refer to " STO (Safe Torque Off)" (→ # 139).

Versions

| Action | Version | Notes |
|-------------|--------------|-------|
| Implemented | 02-00-00-000 | |

General Information

| | |
|-------------------------------|-----------|
| Type | Read Only |
| Units | N/A |
| Range | 0 or 1 |
| Default Value | N/A |
| Data Type | Integer |
| Stored in Non Volatile Memory | No |

10.6.1.4 AXIS#.SAFE.STO.REPORTFAULT**Description**

This parameter indicates whether a Safe Torque Off (STO) fault will be created when the STO input is lost while the axis is enabled.

| Value | Description |
|-------|---|
| 1 | STO fault is indicated when axis is enabled and an STO occurs (default) |
| 0 | STO fault is not indicated (warning is still present) |

Context

For full STO information refer to " STO (Safe Torque Off)" (→ # 139).

Versions

| Action | Version | Notes |
|-------------|--------------|-------|
| Implemented | 02-00-00-000 | |

General Information

| | |
|-------------------------------|------------|
| Type | Read/Write |
| Units | N/A |
| Range | 0 or 1 |
| Default Value | 1 |
| Data Type | Integer |
| Stored in Non Volatile Memory | Yes |

11 Approvals

NOTICE

Beta Drives: All approvals are pending.

| | | |
|-------------|---|------------|
| 11.1 | Conformance with UL/cUL | 150 |
| 11.2 | Conformance with European Directives | 151 |
| 11.3 | Conformance with RoHS | 152 |
| 11.4 | Conformance with REACH | 152 |
| 11.5 | Functional Safety approval | 152 |
| 11.6 | Conformance with EAC | 152 |

11.1 Conformance with UL/cUL

NOTE

Beta Drives: UL pending.

This drive is listed under UL (Underwriters Laboratories Inc.) file number **E141084**.

USL, CNL – Power conversion equipment (NMMS, NMMS7)

USL (United States Standards - Listed): Indicates Investigated to United States Standard for Power Conversion Equipment, UL 61800-5-1.

CNL (Canadian National Standards - Listed): Indicates investigation to Canadian Standard for Industrial Control Equipment, CAN/CSA - C22.2, No. 274-17.

UL Markings / Marquages UL

| English | Français |
|--|--|
| <ul style="list-style-type: none"> ● Integral solid state short circuit protection does not provide branch circuit protection. Branch circuit protection must be provided in accordance with the National Electrical Code and any additional local codes. | <ul style="list-style-type: none"> ● Une protection de court-circuit à semi-conducteur intégrale ne fournit pas de protection de la dérivation. Il convient de garantir une protection de la dérivation conforme au NEC et aux réglementations locales en vigueur. |
| <ul style="list-style-type: none"> ● This product is suitable for use on a circuit capable of delivering not more than (when protected by class J fuses or circuit breakers): <ul style="list-style-type: none"> - AKD2G-Sxx-6V: 240 V, 10 kA rms symmetrical. - AKD2G-Sxx-7: 480 V, 10kA rms symmetrical. | <ul style="list-style-type: none"> ● Ce produit est conçu pour une utilisation sur un circuit capable de fournir maximum (s'il dispose de fusibles classe J ou disjoncteurs): <ul style="list-style-type: none"> - AKD2G-Sxx-6V: 240 V, 10 kA symétriques (rms). - AKD2G-Sxx-7V: 480 V, 10 kA symétriques (rms). |
| <ul style="list-style-type: none"> ● Use recommended class J fuses or circuit breaker with SCCR rating not less than 10 kA, 30 A maximum (→ # 71). | <ul style="list-style-type: none"> ● Utilisez fusibles de classe J ou disjoncteurs recommandés ayant une SCCR d'au moins 10 kA, 30 A maximum (→ # 71). |
| <ul style="list-style-type: none"> ● Suitable for motor group installation on a circuit capable of delivering not more than <ul style="list-style-type: none"> - AKD2G-Sxx-6V: 240 V, 10 kA rms symmetrical. - AKD2G-Sxx-7: 480 V, 10 kA rms symmetrical. | <ul style="list-style-type: none"> ● Convient pour une installation de groupe moteur sur un circuit capable de délivrer pas plus de <ul style="list-style-type: none"> - AKD2G-Sxx-6V: 240 V, 10 kA symétriques (rms). - AKD2G-Sxx-7V: 480 V, 10 kA symétriques (rms). |
| <ul style="list-style-type: none"> ● These drives provide solid state motor overload protection at 125% of the rated FLA current. The drive overload trip point should not be set to less than 10% above the motor rated current: $AXIS\#.IL.FOLDFTHRESHU \geq 1.1 * AXIS\#.MOTOR.ICONT.$ | <ul style="list-style-type: none"> ● Ces variateurs offrent une protection contre les surcharges de moteur à semi-conducteur à 125 % du courant FLA nominal. Le point de déclenchement en surcharge du variateur ne doit pas être réglé à moins de 10% au dessus du courant nominal du moteur: $AXIS\#.IL.FOLDFTHRESHU \geq 1.1 * AXIS\#.MOTOR.ICONT.$ |
| <ul style="list-style-type: none"> ● These devices are intended to be used in a pollution degree 2 environment and must be placed in an enclosure with min. size of 16 x 16 x 10 inches (406 x 406 x 254 mm) | <ul style="list-style-type: none"> ● Ces appareils sont prévus pour une utilisation dans un environnement de pollution de niveau 2 et doivent être placés dans une enceinte avec min. taille de 16 x 16 x 10 pouces (406 x 406 x 254 mm) |
| <ul style="list-style-type: none"> ● Surrounding air temperature 40°C. Refer to (→ # 31), Ambient Conditions, for other temperature ratings. | <ul style="list-style-type: none"> ● La température de l'air ambiant 40 °C. Voir (→ # 31), Ambient Conditions, pour connaître les autres températures. |
| <ul style="list-style-type: none"> ● Use minimum 75°C copper wire. | <ul style="list-style-type: none"> ● Utilisez un fil en cuivre 75 °C minimum. |
| <ul style="list-style-type: none"> ● Connector X3 torque requirements (→ # 61) . | <ul style="list-style-type: none"> ● Exigences de couple du connecteur X3 (→ # 61) . |
| <ul style="list-style-type: none"> ● CAUTION Risk of Electrical Shock! Capacitors can have dangerous voltages present up to five minutes after switching off the supply power. For increased safety, measure the voltage in the DC bus link and wait until the voltage is below 50 V. | <ul style="list-style-type: none"> ● ATTENTION: Risque de choc électrique! Des tensions dangereuses peuvent persister dans les condensateurs jusqu'à cinq minutes après la mise hors tension. Pour plus de sécurité, mesurez la tension dans la liaison de bus CC et attendez qu'elle soit inférieure à 50 V. |

11.2 Conformance with European Directives

NOTE

Beta Drives: CE in process.

NOTE

CE Declarations of Conformity can be found on the Kollmorgen website.

The drives have been tested by an authorized testing laboratory in a defined configuration, using the system components that are described in this documentation. Any divergence from the configuration and installation described in this documentation means that the user will be responsible for carrying out new measurements to ensure conformance with regulatory requirements.

Kollmorgen declares the conformity of the product series AKD2G with the following directives:

- EC Directive 2006/42/EU, Machinery Directive
Used harmonized standard EN 61800-5-2
- EC Directive 2014/35/EU, Low Voltage Directive
Used harmonized standard EN 61800-5-1
- EC Directive 2014/30/EU, EMC Directive
Used harmonized standard EN 61800-3

NOTICE

These devices can cause high-frequency interferences in non industrial environments and may require measures for interference suppression (such as additional external EMC filters).

Maximum distance for unshielded I/O lines is 3 m inside the cabinet. If the I/O cable leaves the cabinet, it must be EMC shielded.

AKD2G-Sxx-6Vxx

NOTE

AKD2G-Sxx-6Vxx drives do not have integrated ac line EMC filters. External mains filters are described in the *Accessories Manual* (1~: FN2090, 3~: FN3288).

With external EMC mains filters for noise emission the AKD2G-Sxx-6Vxx meet the noise immunity requirements of the second environmental category (industrial environment).

- Motor cable < 10 m: use filter FN 3288 in industrial environment, category C2.
- Motor cable ≥ 10 m: use filter FN 3288 in industrial environment, category C3.

AKD2G-Sxx-7Vxx

NOTE

AKD2G-Sxx-7Vxx drives have integrated EMC filters.

The AKD2G-Sxx-7Vxx meet the noise immunity requirements to the 2nd environmental category (industrial environment).

- Motor cable < 10 m: no filter, in industrial environment, category C3.
- Motor cable < 10 m: use filter FN 3288 in industrial environment, category C2.
- Motor cable ≥ 10 m: use filter FN 3288 in industrial environment, category C2.

11.3 Conformance with RoHS

The device is manufactured in conformance with RoHS Directive 2011/65/EU with delegated directive 2015/863/EU for installation into a machine.

11.4 Conformance with REACH

EU Regulation no. 1907/2006 deals with the registration, evaluation, authorization and restriction of chemical substances 1 (abbreviated to "REACH").

The device does not contain any substances (CMR substances, PBT substances, vPvB substances and similar hazardous substances stipulated in individual cases based on scientific criteria) above 0.1 mass percent per product that are included on the candidate list.

11.5 Functional Safety approval

NOTICE

Beta drives: Safety functions are neither approved nor certified yet. Do not use this functionality in applications with functional safety request until further notice.

Kollmorgen offers 3 levels of functional safety implementation for AKD2G:

- Functional Safety Option 1: STO; SIL2 PLd (→ # 137), safe digital I/O command.
- Functional Safety Option 2: STO, SS1-t, SBC, SBT, SDB; SIL3 PLe , safe digital I/O command or FSoE.
- Functional Safety Option 3: STO, SS1-t, SS1-r, SS2, SOS, SLS, SSM, SSR, SDI, SLA, SAR, SLI, SLP, SCA, SBC, SDB, SBT; SIL3 PLe , safe digital I/O command or FSoE.

This manual is valid for AKD2G drives with Functional Safety Option 1.

11.6 Conformance with EAC

EAC is the abbreviation for Eurasian Conformity. The mark is used in the states of the Eurasian Customs Union (Russia, Belarus, Kazakhstan) similar to the European CE mark.

Kollmorgen declares, that the device has passed all required conformity procedures in a member state of the Eurasian Customs Union, and that the device meets all technical requirements requested in the member states of the Eurasian Customs Union:

- Low voltage (TP TC 020/2011)
- Electromagnetic Compatibility (TP TC 004/2011)

Contact: SERVOSTAR LLC. , Bld.1, Semyonovskaya nab. 2/1, RU-105094 Moskau

12 Index

A

| | |
|---|---------|
| Abbreviations | 12, 135 |
| Address | |
| Fieldbus | 118 |
| MAC | 118 |
| Service IP | 118 |
| AKD 2G Family | 29 |
| Ambient Conditions | 31 |
| Analog setpoints | 105 |
| Aux. supply 24V, interface | 75 |

C

| | |
|--|-----|
| Cable and Wire Requirements | 49 |
| Cable Length | 49 |
| CANbus | |
| Baud rate | 100 |
| Cable | 98 |
| CANopen interface | 98 |
| Node address | 100 |
| Termination | 100 |
| Commissioning | 137 |
| Conformance | |
| CE | 151 |
| EAC | 152 |
| Functional Safety | 152 |
| REACH | 152 |
| RoHS | 152 |
| UL, cUL | 150 |
| Connector Position | 57 |

D

| | |
|-------------------------------------|-----|
| DC Bus Capacitance | 38 |
| DC bus link, interface | 76 |
| Decommission | 23 |
| Dimensions | 44 |
| Disassemble | 23 |
| Display | 39 |
| Disposal | 24 |
| Document revisions | 155 |
| DSL | 80 |
| Dynamic Drive Braking | 37 |

E

| | |
|---|-----|
| EAC | 152 |
| Electronic Gearing | 94 |
| Emergency Off | 19 |
| Emergency Stop Function | 19 |
| Emulated Encoder Output | 92 |
| Enclosure (FS) | 136 |
| Encoder emulation, interface | 92 |
| EtherCAT | 95 |

| | |
|--------------------------------|-----|
| EtherNet | |
| Modbus TCP Protocol | 102 |
| EtherNet Fieldbus | 95 |
| EtherNet/IP | 97 |

F

| | |
|--|-----|
| Factory Default Setting | 138 |
| Fault messages | 130 |
| Feedback Connection | 86 |
| Functional Safety (FS) | 133 |
| Functional Safety 1 (FS1) | 137 |
| Fusing | |
| 24V supply | 75 |
| Brake resistor | 78 |
| DC Bus Link | 76 |
| Mains supply | 71 |

G

| | |
|-------------------------------|----|
| Grounding | 47 |
| Grounding Plates | 56 |

H

| | |
|--|-----|
| Hardware requirements WorkBench | 121 |
| Hiperface DSL | 80 |

I

| | |
|---------------------------------|-----|
| I/O Connection | 103 |
| Initial Drive Test | 117 |
| Inputs | |
| Analog | 105 |
| Basic Data | 104 |
| Digital | 107 |

Installation

| | |
|--|-----|
| Electrical | 45 |
| Mechanical | 42 |
| Software WorkBench | 122 |
| Installation, Setup, Normal Operation | 23 |

L

| | |
|------------------------------|----|
| Leakage current | 18 |
|------------------------------|----|

M

| | |
|---|-----|
| Mains supply, interface | 67 |
| Maintenance | 23 |
| Master-Slave | 94 |
| Mating Connectors | 48 |
| Mechanical Data | 31 |
| Modbus | 102 |
| Motor dual cable connection | 82 |
| Motor Holding Brake Connection | 84 |
| Motor interface | 79 |
| Motor single cable connection | 80 |

N

Nameplate 26

O

Operating systems WorkBench 121

Outputs

Analog 106
 Basic Data 104
 Digital 111
 Relay 114

P

Package supplied 26

Part Number Scheme 27

PC connection 101

Product Safety 13

PROFINET 96

Prohibited Use

Functional Safety 135
 General 17

Pushbuttons 39

R

Re-forming 116

REACH 152

Regen circuit 37

Regen resistor 78

Regeneration Braking 37

Relay 114

Repair 24

RoHS 152

S**Safety**

Functional Safety 133
 Product Safety 13

Safety Faults 144

Safety Instructions

Drive Setup 116
 Electrical Installation 46
 General 14
 Mechanical Installation 43

Safety Properties 138

Safety Warnings 144

SD Card Slot 41

Service Interface 101

Setup 116

Setup Software 120

SFA 91

SFD3 80

Shield connection 53

Shielding 47

Shock-hazard protection 18

Site 31

STO 139

Stop Function 19

Switch-on, switch-off behavior 123

Symbols used 11

T**Tightening torque**

X1, X2 61

X23 65

X3 61

X41 66

Trouble Shooting 131

U

UL Markings 150

Use as directed

Drive 16

Functional Safety 135

WorkBench Setup Software 120

V

Ventilation 31

Verification 137

W

Warning Messages 130

Warning note labels 17

Wiring 48

13 Record of document revisions

| Edition | Remarks |
|------------|---|
| A, 12/2019 | First edition |
| B, 04/2020 | Electrical data updated, UL markings updated, default setting: STO active, connector tightening torque added to connector pin assignments, regen resistor wiring updated, AXIS#.ZEROx keywords updated for stop diagrams, X1/X2 feedback voltage 11V, X23 max. current 350mA, FS trouble shooting updated, SFA voltage/current values, continuous brake power of external regen resistor reduced, CE: external EMC mains filters for 7V models, max. cable length for unshielded I/O lines, 24V supply with X10T, SFF=75%, PROFINET added, EtherNet/IP added, X22 digital feedbacks added, breakers for 7V models removed |
| C, 07/2020 | Performance data table corrected, mounting M/P values synchronized, X23/X41 pinout Step/Dir&CW/CCW updated, chapter CAN termination improved, PROFINET/EtherNet-IP label CHx->Portx, UL Markings updated, Modbus added |

About KOLLMORGEN

Kollmorgen is a leading provider of motion systems and components for machine builders. Through world-class knowledge in motion, industry-leading quality and deep expertise in linking and integrating standard and custom products, Kollmorgen delivers breakthrough solutions that are unmatched in performance, reliability and ease-of-use, giving machine builders an irrefutable marketplace advantage.



Join the [Kollmorgen Developer Network](#) for product support. Ask the community questions, search the knowledge base for answers, get downloads, and suggest improvements.

North America

KOLLMORGEN

201 West Rock Road
Radford, VA 24141, USA

Web: www.kollmorgen.com
Mail: support@kollmorgen.com
Tel.: +1 - 540 - 633 - 3545
Fax: +1 - 540 - 639 - 4162

Europe

KOLLMORGEN Europe GmbH

Pempelfurtstr. 1
40880 Ratingen, Germany

Web: www.kollmorgen.com
Mail: technik@kollmorgen.com
Tel.: +49 - 2102 - 9394 - 0
Fax: +49 - 2102 - 9394 - 3155

South America

KOLLMORGEN

Avenida João Paulo Ablas, 2970
Jardim da Glória, Cotia – SP
CEP 06711-250, Brazil

Web: www.kollmorgen.com
Mail: contato@kollmorgen.com
Tel.: +55 11 4615-6300

China and SEA

KOLLMORGEN

Room 302, Building 5, Lihpao Plaza,
88 Shenbin Road, Minhang District,
Shanghai, China.

Web: www.kollmorgen.cn
Mail: sales.china@kollmorgen.com
Tel.: +86 - 400 668 2802
Fax: +86 - 21 6248 5367