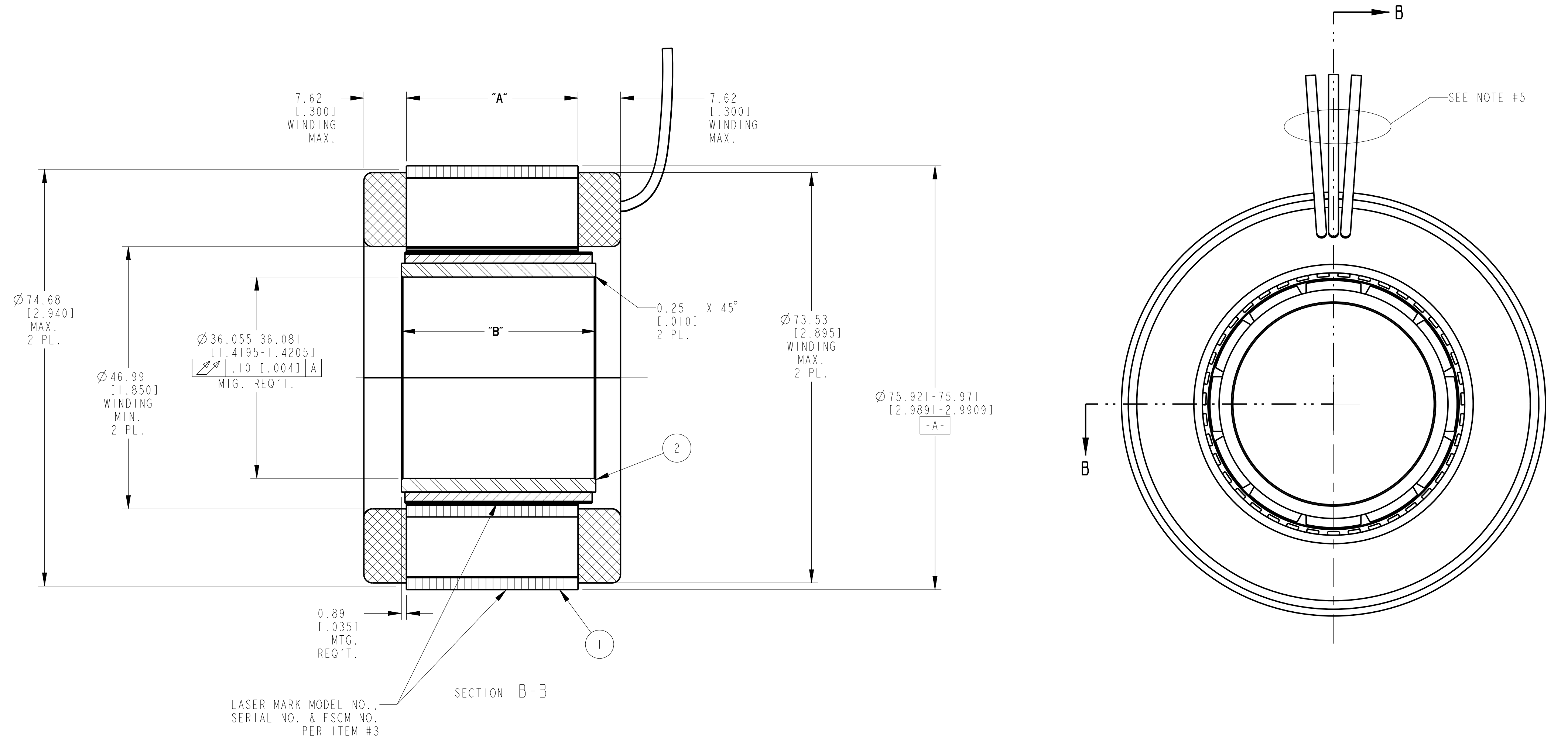


REVISION				
REV	ECN NO.	DESCRIPTION	DATE	APPROVED
A	R01.16836	SEE ECO	ALM 3/26/15	LW

- NOTES:
1. MOTOR SUPPLIED AS TWO SEPARATE COMPONENTS: ARMATURE & SENSOR ASSEMBLY AND FIELD ASSEMBLY
  2. FOR A C.W. ROTATION, AS VIEWED FROM LEAD END, ENERGIZE PER EXCITATION SEQUENCE TABLE.
  3. MOUNTING SURFACE IS BETWEEN  $\phi 74.68$  [2.940] AND  $\phi 75.95$  [2.990] ON BOTH SIDES.
  4. DIMENSIONS IN BRACKETS [ ] ARE IN INCHES AND ARE FOR REFERENCE ONLY.
  5. MIN. BEND RADIUS FOR MOTOR LEADS IS 6.90 [1.27].

MOTOR LEADS:  
 #18 AWG TEFLON, COATED, PER MIL-W-22759/11, 3 LEADS, 400 mm [15.75"] MIN. LONG EACH, 1-RED, 1-WHITE & 1-BLACK



LASER MARK MODEL NO., SERIAL NO. & FSCM NO. PER ITEM #3

STEP	RED	WHITE	BLACK
1	+	-	-
2	+	-	-
3	-	+	-
4	-	+	-
5	-	-	+
6	-	-	+

EXCITATION SEQUENCE TABLE

MOTOR WIRING DIAGRAM	
PHASE "A"	RED LEAD
PHASE "B"	WHITE LEAD
PHASE "C"	BLACK LEAD

MODEL NUMBER	ARMATURE & SENSOR ASSY.	FIELD ASSY.	"A" DIM.	"B" DIM.
TBM-7615	961004/015	961005/015	14.99-15.49 [0.590-.610]	19.30 [0.760]
TBM-7631	961004/031	961005/031	30.48-30.99 [1.200-1.220]	34.80 [1.370]
TBM-7646	961004/046	961005/046	45.97-46.48 [1.810-1.830]	50.29 [1.980]

THIS DOCUMENT IS ONLY FOR USE BY THE INTENDED RECIPIENT AND CONTAINS KOLLMORGEN CONFIDENTIAL INFORMATION

Pro/E Instance Name	TBM.168.961007.031
Pro/E Drawing Name	961007
Pro/E Model Type	ASSEM
Pro/Engineer Drawing	

<b>METRIC DRAWING</b>
SIGNIFICANT PRODUCT CHARACTERISTIC
CRITICAL PRODUCT CHARACTERISTIC

3	AR	1M-2709	MARKING PROCEDURE
2	I	SEE TABLE	FIELD ASSEMBLY
1	I	SEE TABLE	ARMATURE ASSEMBLY
ITEM	QTY	IDENTIFYING NO.	DESCRIPTION
LIST OF PARTS			
UNLESS OTHERWISE SPECIFIED: REMOVE ALL SHARP BURRS AND BREAK ALL SHARP EDGES X DECIMAL PLACES ±.4 [0.015] XX DECIMAL PLACES ±.13 [0.005] ANGULAR DIMENSIONS ±1°		KOLLMORGEN	
DO NOT SCALE DRAWING, USE DIMENSIONS ONLY ALL DIMENSIONS ARE IN MILLIMETERS DIMENSIONS IN BRACKETS [ ] ARE IN INCHES AND ARE FOR REFERENCE ONLY INTERPRET GEOMETRIC SYMBOLS PER ANSI Y14.5M-1992		501 MAIN STREET RADFORD, VIRGINIA 24141	
SCALE: 2:1		JOB NO.:	
FSCM 11384		SIZE D	
DWG. NO. 961007		REV A	
SHEET 1 OF 1			