

OWNER'S INSTALLATION AND OPERATING MANUAL

SE2000

Option Card Installation Instructions

Detailed changes to software programs are introduced frequently. Please ensure this manual refers to the software version you are using.

**Danaher MOTION
Engineered Systems Center**

13500-J SOUTHPOINT BLVD. , CHARLOTTE,N.C. 28273
PHONE: (704)-588-5693; FAX: (704)-588-5695

For your safety and for proper operation, please take time to carefully read all instructions before installing and operating this unit.

LIM-55303D

INSTALLATION INSTRUCTIONS

SE2000 OPTION KITS

These instructions apply to the following SE2000 option kits:

- SE2999-2 Process Follower
- SE2999-3 Frequency Follower
- SE2999-4 Controlled Decel Stop
- SE2999-5 Fault Module
- SE2999-6 External Torque & Slope Pot

A maximum of 2 of the above options may be installed on any SE2000 series controller (except power units).

Each board is mounted with four adhesive backed nylon standoffs (supplied with the option kit). The standoffs should be attached to the inside of the front cover as shown in FIG. 1 and FIG. 2, Pages 2 and 3.

A ribbon cable is supplied to connect P1 on the first option board to the SE2000 series controller (either to P1 on the main board or P2 on the relay board) as shown in FIG. 3, Page 4. If a second option board is added another ribbon cable is supplied to connect P2 on the first option board to P1 on the second option board as shown in FIG. 4, Page 5. A jumper must be installed on P2 - position 11 and 24 of the last option board installed (remove and use the jumper from the previous board).

Refer to the SE2000 Operation Manual for information on connecting and adjusting the option boards.

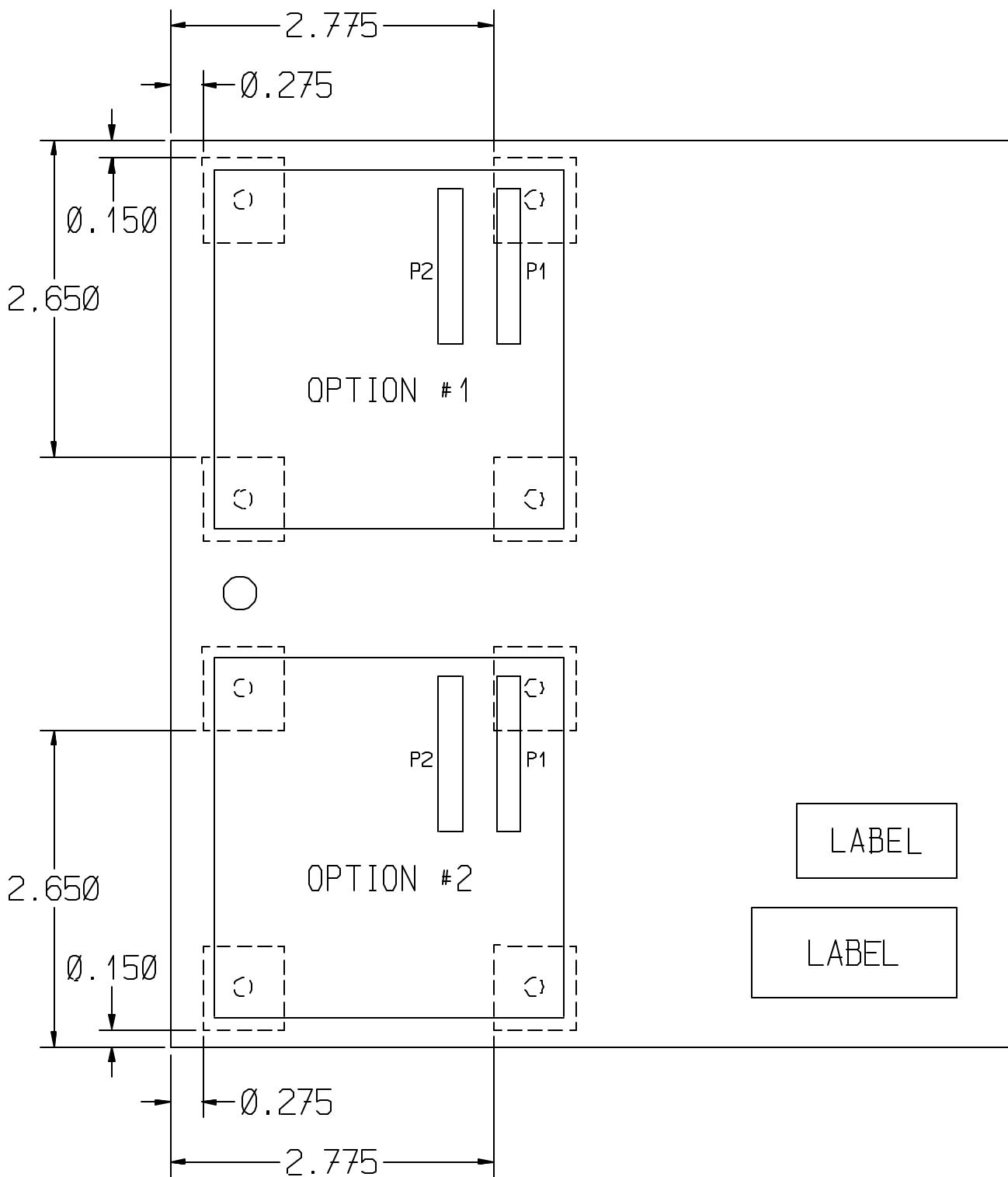


FIG. 1 - 2HP STANDOFF LOCATION

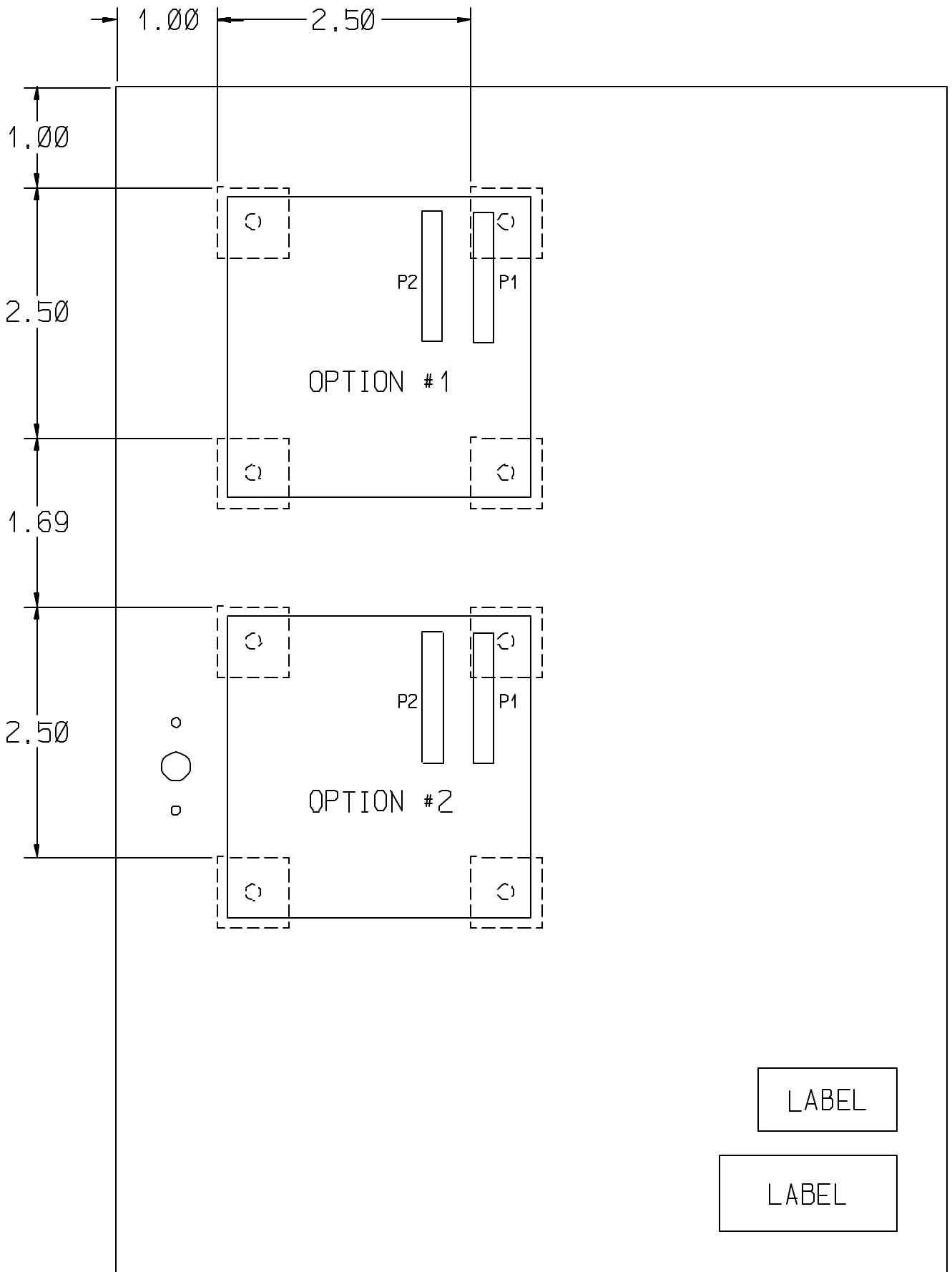


FIG. 2 - 5HP STANDOFF LOCATION

CONNECT RIBBON CABLE TO P1 ON THE MAIN BOARD IF NO RELAY BOARD EXISTS. IF RELAY BOARD IS USED THEN CONNECT THE CABLE TO P2 ON THE RELAY BOARD.

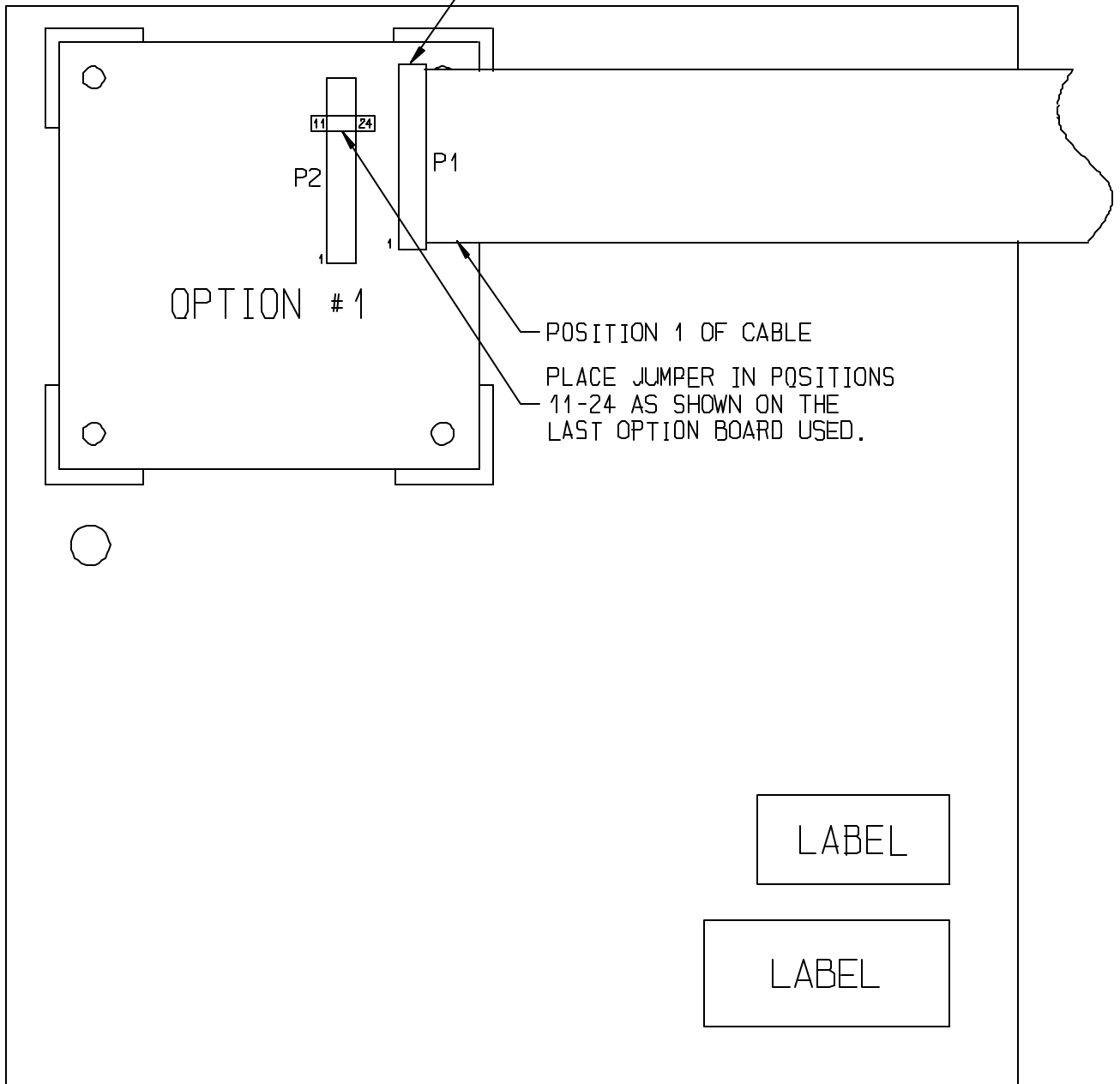


FIG. 3 - ONE OPTION

CONNECT RIBBON CABLE TO P1 ON THE MAIN BOARD IF NO RELAY BOARD EXISTS. IF RELAY BOARD IS USED THEN CONNECT THE CABLE TO P2 ON THE RELAY BOARD.

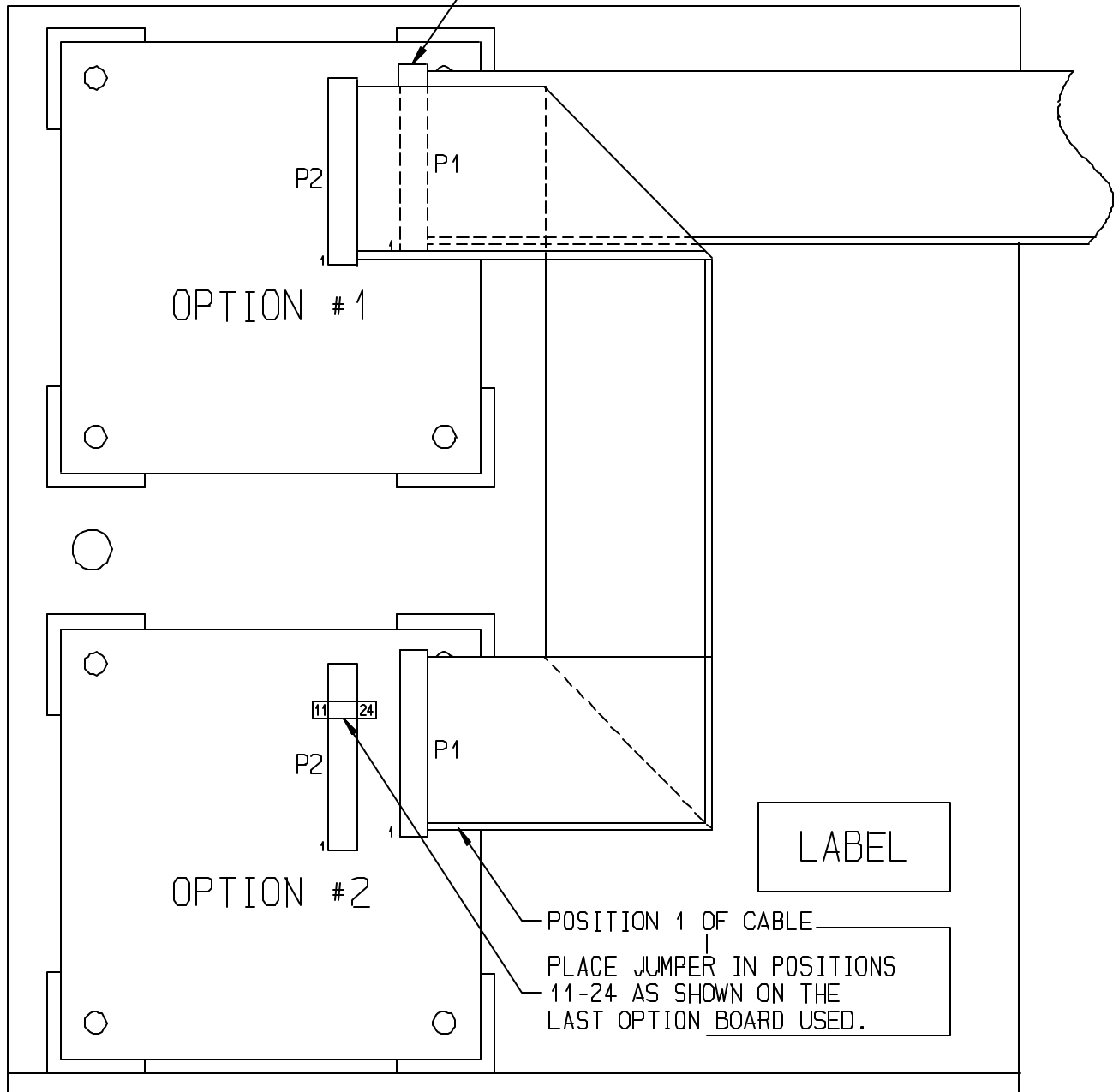


FIG. 4 - TWO OPTIONS

Distribution Coast to Coast and International

Danaher Motion Engineered Systems Center Adjustable Speed Drive products are available worldwide through an extensive authorized distributor network. These distributors offer literature, technical assistance and a wide range of models off the shelf for fastest possible delivery and service.

In Addition, Danaher Motion Engineered Systems Center located in Charlotte, NC can integrate any Danaher Motion product into engineered systems. Coordination with PC or PLC based control and Man-Machine Interfaces can be provided as solutions to complex process control issues.

In U.S.A. and Canada

Danaher Motion Engineered Systems Center

Customer Service: (704) 588-5693 x 275

Product Application: (704) 588-5693 x 205, 202

Product Literature Request: (704) 588-5693 x 275

Fax: (704) 588-5695

Web Site: <http://www.superiorelectric.com>

13500-J South Point Blvd.

Charlotte, NC 28273