

SERVOSTAR 300

Safety Notes

This document presents the safety information for SERVOSTAR 300 (S300) series of digital drives.

For full information refer to the Kollmorgen user documents for the SERVOSTAR 300 (S300) series of drives.

Download the S300 Instructions Manual and all User Documents from:



www.kollmorgen.com/kdn/s300

Safety Notes Edition: February 2020

Part Number: DE-202211



For safe and proper use, follow these instructions. Keep for future use.

For environmental reasons, this document was reduced in size and printed on DIN A5. Should you experience difficulties reading the font size of the scaled-down printed version, you can print and use the PDF version in DIN A4 format 1:1. You can find the PDF version on the DVD accompanying the product and on the Kollmorgen website.

Contents

 Safety Notes English	(→ # 3)	 Safety Notes Italiano	(→ # 27)
 Safety Notes Deutsch	(→ # 11)	 Safety Notes Русский	(→ # 35)
 Safety Notes Français	(→ # 19)		

Approvals (English)	(→ # 44)	Package supplied (English)	(→ # 46)
---------------------	----------	----------------------------	----------

Documents available from www.kollmorgen.com

- **Instructions Manual** (PDF format):
This manual provides instructions for installation and servo amplifier setup.
- **Accessories Manual** (PDF format):
It provides information for accessories like cables, filters, chokes and brake resistors.
- **CAN-BUS Communication** (PDF format):
Describes how to use your servo amplifier in CANopen applications.
- **DeviceNET Communication** (PDF format):
Describes how to use your servo amplifier in DeviceNET applications.
- **EtherCAT Communication** (PDF format):
Describes how to use your servo amplifier in EtherCAT applications.
- **PROFIBUS DP Communication** (PDF format):
Describes how to use your servo amplifier in PROFIBUS DP applications.
- **sercos[®] 2 Communication** (PDF format):
Describes how to use your servo amplifier in sercos[®] applications.
- **SynqNet Communication** (PDF format):
Describes how to use your servo amplifier in SynqNet applications.
- **DRIVEGUI.EXE Online help** (CHMs format):
The online help includes the *ASCII Object Reference* which provides information for the parameters and commands used to setup the SERVOSTAR 300.

Technical changes which improve the performance of the device may be made without prior notice!

This document is the intellectual property of Kollmorgen. All rights reserved. No part of this work may be reproduced in any form (by photocopying, microfilm or any other method) or stored, processed, copied or distributed by electronic means without the written permission of Kollmorgen.

1 English

1.1 Safety	4
1.1.1 You should pay attention to this	4
1.1.2 Warning notes placed on the product	6
1.1.3 Use as Directed	7
1.1.4 Prohibited Use	7
1.2 Product life cycle handling	8
1.2.1 Transport	8
1.2.2 Packaging	8
1.2.3 Storage	8
1.2.4 Installation, setup and normal operation	9
1.2.5 Decommissioning	9
1.2.6 Maintenance and cleaning	9
1.2.7 Disassembly	9
1.2.8 System Repair	10
1.2.9 Disposal	10

1.1 Safety

This section helps you to recognize and avoid dangers to people and objects.

1.1.1 You should pay attention to this

Specialist staff required!

Only properly qualified personnel are permitted to perform such tasks as transport, installation and setup. Qualified specialist staff are persons with expertise in transport, installation, assembly, commissioning and operation of electrotechnical equipment.

- Transport, storage, unpacking: only by personnel with knowledge of handling electrostatically sensitive components.
- Mechanical installation: only by personnel with mechanical expertise.
- Electrical installation: only by personnel with expertise in electrical engineering.
- Basic tests / setup: only by personnel with expertise in electrical engineering and drive technology.

The qualified personnel must know and observe ISO 12100 / IEC 60364 / IEC 60664 and national accident prevention regulations.

Read the documentation!

Read the available documentation before installation and commissioning. Improper handling of the devices can cause harm to people or damage to property. The operator of systems using the drive system must ensure that all personnel who work with the drive read and understand the manual before using the drive.

Check Hardware Revision!

Check the Hardware Revision Number of the product (see product label). This number is the link between your product and the manual. The product Hardware Revision Number must match the Hardware Revision Number on the cover page of the manual.

Pay attention to the technical data!

Adhere to the technical data and the specifications on connection conditions. If permissible voltage values or current values are exceeded, the devices can be damaged. Unsuitable motor or wrong wiring will damage the system components. Check the combination of drive and motor. Compare the rated voltage and current of the units.

Observe electrostatically sensitive components!

The devices contain electrostatically sensitive components which may be damaged by incorrect handling. Electrostatically discharge your body before touching the device. Avoid contact with highly insulating materials (artificial fabrics, plastic film etc.). Place the device on a conductive surface.

Perform a risk assessment!

The manufacturer of the machine must generate a risk assessment for the machine, and take appropriate measures to ensure that unforeseen movements cannot cause injury or damage to any person or property. Additional requirements on specialist staff may also result from the risk assessment.



Automatic Restart!

The drive might restart automatically after power on, voltage dip or interruption of the supply voltage, depending on the parameter setting. Risk of death or serious injury for humans working in the machine. If the parameter AENA is set to 1, then place a warning sign to the machine (Warning: Automatic Restart at Power On) and ensure, that power on is not possible, while humans are in a dangerous zone of the machine. In case of using an under-voltage protection device, you must observe EN 60204-1.



Hot surface!

Drives may have hot surfaces during operation. The housing can reach temperatures above 80°C. Risk of minor burns! Measure the temperature, and wait until the housing has cooled down below 40 °C before touching it.



Earthing!

It is vital that you ensure that the drive is safely earthed to the PE (protective earth) busbar in the switch cabinet. Risk of electric shock. Without low-resistance earthing no personal protection can be guaranteed.

Leakage Current!

Since the leakage current to PE is more than 3.5 mA, in compliance with IEC61800-5-1 the PE connection must either be doubled or a connecting cable with a cross-section > 10 mm² must be used. Deviating measures according to regional standards might be possible.



High voltages!

The equipment produces high electric voltages up to 900V. Do not open or touch the equipment during operation. Keep all covers closed.

During operation, SERVOSTAR 300 may have uncovered live sections, according to their level of enclosure protection.

Lethal danger exists at live parts of the device. Built-in protection measures such as insulation or shielding may not be removed. Work on the electrical installation may only be performed by trained and qualified personnel, in compliance with the regulations for safety at work, and only with switched off mains supply, and secured against restart.

Never undo any electrical connections to the SERVOSTAR 300 while it is live. There is a danger of electrical arcing with damage to contacts and personal injury. Wait at least 5 minutes after disconnecting the product from the supply voltages (mains supply and 24V supply) before touching potentially live sections of the equipment (such as contacts) or removing any connections.

Always measure the voltage in the DC bus link and wait until the voltage is below 50 V before handling components.

Functional Safety

The STO safety implementation on the SERVOSTAR 300 is certified. The assessment of the safety functions according to EN13849 or EN 62061 must finally be done by the user.

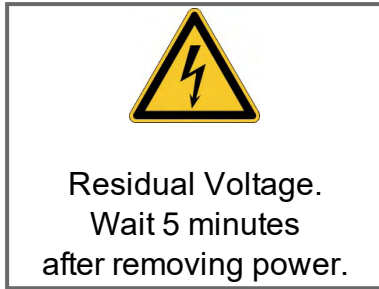
Reinforced Insulation

Thermal sensors, motor holding brakes and feedback systems built into the connected motor must have reinforced insulation (according to IEC61800-5-1) against system components with power voltage, according to the required application test voltage. All Kollmorgen components meet these requirements.

Never modify the drive!

It is not allowed to modify the drive hardware without permission by the manufacturer. Opening the housing causes loss of warranty.

1.1.2 Warning notes placed on the product



NOTICE

If these signs are damaged, they must be replaced immediately.

1.1.3 Use as Directed

- The servo amplifiers are components which are built into electrical equipment or machines, and can only be used as integral components of such equipment.
- If the servo amplifiers are used in residential areas, or in business or commercial premises, then additional filter measures must be implemented by the user.

Cabinet and Wiring

- The servo amplifiers **may only** be operated in a closed switchgear cabinet, taking into account the ambient conditions and the dimensions. Ventilation or cooling may be necessary to prevent enclosure ambient from exceeding 40°C (104°F).
- Use only copper wire. Wire size may be determined from EN 60204 (or table 310-16 of the NEC 60°C or 75°C column for AWG size).

Power supply

- The SERVOSTAR 300 family of servo amplifiers (overvoltage category III acc. to EN 61800-5-1) can be connected directly to symmetrically earthed (grounded) three-phase industrial mains supply networks [TN-system, TT-system with earthed (grounded) neutral point, not more than 42,000 rms symmetrical amperes, 110V-10%...230V+10% respectively 208V -10%...480V +10% maximum]. Connection to different mains supply networks see Instructions Manual.
- Periodic overvoltages between outer conductor (L1, L2, L3) and housing of the servo amplifier may not exceed 1000V (peak value). Transient overvoltages (< 50µs) between the outer conductors may not exceed 1000V. Transient overvoltages (< 50µs) between outer conductors and housing may not exceed 2000V.

Motors

- The SERVOSTAR 300 family of servo amplifiers is **only** intended to drive specific brushless synchronous servomotors, with closed-loop control of torque, speed and/or position. The rated voltage of the motors must be at least as high as the DC bus link voltage of the servo amplifier.

Functional Safety

- Consider the specific "use as directed" information when you use the safety function STO.

1.1.4 Prohibited Use

Other use than that described in chapter "Use as directed" is not intended and can lead to personnel injuries and equipment damage. The servo amplifier may not be used with a machine that does not comply with appropriate national directives or standards. The use of the servo amplifier in the following environments is also prohibited:

- potentially explosive areas
- environments with corrosive and/or electrically conductive acids, alkaline solutions, oils, vapors, dusts
- ships or offshore applications

1.2 Product life cycle handling

1.2.1 Transport

Transport the SERVOSTAR 300 in accordance with IEC 61800-2 as follows:

- Only by qualified personnel in the manufacturer's original recyclable packaging
- Avoid shocks
- Temperature: -25 to $+70^{\circ}\text{C}$, max. 20K/hr rate of change, class 2K3 acc. to EN61800-2, EN 60721-3-1
- Humidity: max. 95% relative humidity, no condensation, class 2K3 acc. to EN61800-2, EN 60721-3-1
- If the packaging is damaged, check the unit for visible damage. In this case, inform the shipper and the manufacturer.

NOTICE

The servo amplifiers contain electrostatically sensitive components which can be damaged by incorrect handling. Discharge yourself before touching the servo amplifier. Avoid contact with highly insulating materials (artificial fabrics, plastic films etc.). Place the servo amplifier on a conductive surface.

1.2.2 Packaging

The SERVOSTAR 300 packaging consists of recyclable cardboard with inserts.

- Dimensions (HxWxD): 115x365x275mm
- Labeling : nameplate outside at the box

1.2.3 Storage

Store the SERVOSTAR 300 in accordance with IEC 61800-2 as follows:

- Storage only in the manufacturer's original recyclable packaging
- Max. stacking height 8 cartons
- Storage temperature: -25 to $+55^{\circ}\text{C}$, max. rate of change $20^{\circ}\text{C} / \text{hour}$ class 1K4 acc. to EN61800-2, EN 60721-3-1
- Storage humidity: 5 ... 95% relative humidity, no condensation class 1K3 acc. to EN61800-2, EN 60721-3-1
- Storage duration: Less than 1 year without restriction.
More than 1 year: capacitors must be re-formed before setting up and operating the servo amplifier. To do this, remove all electrical connections and apply single-phase 230V AC for about 30 minutes to the terminals L1 / L2.

1.2.4 Installation, setup and normal operation

Installation and setup information are given in the Instructions Manual.

Normal operation tested for environmental class 3K3 according to IEC 61800-2 .

The manufacturer of the machine defines the necessary end user expertise based on the risk assessment for the machine and describes the requirements for normal operation based on the application.

1.2.5 Decommissioning

NOTICE

Only professional staff who are qualified in electrical engineering are allowed to decommission parts of the system.

DANGER: Lethal Voltages!

There is a danger of serious personal injury or death by electrical shock or electrical arcing.

- Switch off the main switch of the switchgear cabinet.
- Secure the system against restarting.
- Block the main switch.
- Wait at least 5 minutes after disconnecting.

1.2.6 Maintenance and cleaning

The device does not require maintenance. Opening the device voids the warranty. The inside of the unit can only be cleaned by the manufacturer.

NOTICE

Do not immerse or spray the device. Avoid that liquid enters the device.

To clean the device exterior:

1. Decommission the device (see chapter 1.2.5 "Decommissioning").
2. Casing: Clean with isopropanol or similar cleaning solution.

Caution : Highly Flammable! Risk of injury by explosion and fire.

- Observe the safety notes given on the cleaning liquid package.
- Wait at least 30 minutes after cleaning before putting the device back into operation.

3. Protective grill on fan: Clean with a dry brush.

1.2.7 Disassembly

NOTICE

Only professional staff who are qualified in electrical engineering are allowed to disassemble parts of the system.

1. Decommission the device (see chapter 1.2.5 "Decommissioning").
2. Check temperature.

CAUTION: High Temperature! Risk of minor burns. During operation, the heat sink of the drive may reach temperatures above 80 °C (176 °F). Before touching the device, check the temperature and wait until it has cooled below 40 °C (104 °F).

3. Remove the connectors. Disconnect the potential earth connection last.
4. Demount: loosen the fastening screws. Remove the device.

1.2.8 System Repair

NOTICE

Only professional staff who are qualified in electrical engineering are allowed to exchange parts of the drive system.

CAUTION: Automatic Start! During replacement work a combination of hazards and multiple episodes may occur.

- Work on the electrical installation may only be performed by trained and qualified personnel, in compliance with the regulations for safety at work, and only with use of prescribed personal safety equipment.

Exchange of the device

Only the manufacturer can repair the device. Opening the device voids the warranty.

1. Decommission the device (see chapter 1.2.5 "Decommissioning").
2. Demount the device (see chapter 1.2.7 "Disassembly").
3. Send the device to the manufacturer.
4. Install a new device as described in this manual.
5. Setup the system as described in this manual.

Exchange of other drive system parts

If parts of the drive system (for example cables) must be replaced, proceed as follows:

1. Decommission the device (see chapter 1.2.5 "Decommissioning").
2. Exchange the parts.
3. Check all connections for correct fastening.
4. Setup the system as described in this manual.

1.2.9 Disposal

NOTICE

To dispose the unit properly, contact a certified electronic scrap disposal merchant.

In accordance with the WEEE-2012/19/EU guideline and similar, the manufacturer accepts returns of old devices and accessories for professional disposal. Transport costs are the responsibility of the sender.

Contact Kollmorgen and clarify the logistics.

2 Deutsch

2.1 Sicherheit	12
2.1.1 Das sollten Sie beachten	12
2.1.2 Warnhinweise auf dem Produkt	14
2.1.3 Bestimmungsgemäße Verwendung	15
2.1.4 Nicht bestimmungsgemäße Verwendung	15
2.2 Produkt Lebenszyklus, Handhabung	16
2.2.1 Transport	16
2.2.2 Verpackung	16
2.2.3 Lagerung	16
2.2.4 Installation, Setup und Normalbetrieb	17
2.2.5 Außer Betrieb nehmen	17
2.2.6 Wartung und Reinigung	17
2.2.7 Demontage	17
2.2.8 System Reparatur	18
2.2.9 Entsorgung	18

2.1 Sicherheit

Dieses Kapitel hilft, Gefährdungen für Personen und Sachen zu erkennen und zu vermeiden.

2.1.1 Das sollten Sie beachten

Fachpersonal erforderlich

Für Arbeiten wie Transport, Installation, Inbetriebnahme und Instandhaltung darf nur qualifiziertes Personal eingesetzt werden. Qualifiziertes Personal sind Personen, die mit Transport, Installation, Inbetriebnahme und Betrieb von elektrischen Antrieben vertraut sind.

- Transport, Lagerung, Auspacken: nur durch Personal mit Kenntnissen in der Behandlung elektrostatisch gefährdeter Bauelemente.
- Mechanische Installation: nur durch Personal mit Kenntnissen in mechanischen Arbeiten.
- Elektrische Installation: nur durch Personal mit Kenntnissen in elektrotechnischen Arbeiten.
- Inbetriebnahme: nur durch Fachleute mit weitreichenden Kenntnissen in den Bereichen Elektrotechnik und Antriebstechnik.

Das Fachpersonal muss ebenfalls ISO 12100 / IEC 60364 / IEC 60664 und nationale Unfallverhütungsvorschriften kennen und beachten.

Dokumentation lesen

Lesen Sie vor der Montage und Inbetriebnahme die vorliegende Dokumentation. Falsches Handhaben der Geräte kann zu Personen- oder Sachschäden führen. Der Betreiber muss daher sicherstellen, dass alle mit Arbeiten am Antriebssystem betrauten Personen das Handbuch gelesen und verstanden haben und dass die Sicherheitshinweise in diesem Handbuch beachtet werden.

Hardware Revision prüfen

Prüfen Sie die Hardware-Revisionsnummer des Produkts (siehe Typenschild). Die Nummer ist die Verknüpfung zwischen dem Produkt und dem Handbuch.

Diese Revisionsnummer muss mit der Hardware-Revisionsnummer auf dem Deckblatt der Betriebsanleitung übereinstimmen.

Wenn die Nummern nicht übereinstimmen, besuchen Sie unser [Archiv](#). Im Bereich "Download" finden Sie alle Handbuchversionen mit Bezug zur Hardware Revisions-Nummer.

Technische Daten beachten

Halten Sie die technischen Daten und die Angaben zu den Anschlussbedingungen ein. Wenn zulässige Spannungswerte oder Stromwerte überschritten werden, können die Geräte geschädigt werden. Ein ungeeigneter Motor oder fehlerhafte Verdrahtung beschädigen die Systemkomponenten. Prüfen Sie die Kombination aus Verstärker und Motor. Gleichen Sie die Nennspannung und den Nennstrom der Komponenten ab.

Risikobeurteilung erstellen

Der Hersteller der Maschine muss eine Risikobeurteilung für die Maschine erstellen und geeignete Maßnahmen treffen, dass unvorhergesehene Bewegungen nicht zu Verletzungen oder Sachschäden führen können. Aus der Risikobeurteilung leiten sich eventuell auch zusätzliche Anforderungen an das Fachpersonal ab.

Elektrostatisch empfindliche Bauteile

Die Geräte enthalten elektrostatisch gefährdete Komponenten, die durch unsachgemäßen Gebrauch beschädigt werden können. Entladen Sie Ihren Körper elektrostatisch, bevor Sie das Gerät berühren. Vermeiden Sie es, hoch isolierende Stoffe zu berühren (Kunstfasern, Plastikfolie usw.). Legen Sie das Gerät auf eine leitfähige Oberfläche.



Automatischer Wiederanlauf

Der Antrieb kann abhängig von der Parametereinstellung nach dem Einschalten der Netzspannung, bei Spannungseinbrüchen oder Unterbrechungen automatisch anlaufen. Es besteht die Gefahr von tödlichen oder schweren Verletzungen für Personen, die in der Maschine arbeiten.

Wenn der Parameter AENA auf 1 gesetzt ist, warnen Sie an der Maschine mit einem Warnschild (Warnung: Automatischer Wiederanlauf nach Einschalten!) und stellen Sie sicher, dass ein Einschalten der Netzspannung nicht möglich ist, während sich Personen im gefährdeten Bereich der Maschine aufhalten. Wenn Sie einen Unterspannungsschutz benutzen, beachten Sie EN 60204-1.



Heiße Oberfläche

Die Oberflächen von Verstärkern können im Betrieb sehr heiß werden. Das Gehäuse kann Temperaturen über 80 °C erreichen. Gefahr leichter Verbrennungen. Messen Sie die Temperatur. Warten Sie, bis das Gehäuse auf unter 40 °C abgekühlt ist, bevor Sie es berühren.



Erdung

Stellen Sie die ordnungsgemäße Erdung des Gerätes mit der PE-Schiene im Schaltschrank als Bezugspotential sicher. Gefahr durch elektrischen Schlag.

Ohne niederohmige Erdung ist keine personelle Sicherheit gewährleistet

Ableitstrom

Da der Ableitstrom zu PE mehr als 3,5 mA beträgt, muss in Übereinstimmung mit der Norm EN61800-5-1 der PE-Anschluss entweder doppelt ausgeführt oder ein Anschlusskabel mit einem Querschnitt von >10 mm² verwendet werden. Abweichende Maßnahmen sind in Übereinstimmung mit regionalen Vorschriften möglich.



Hohe Spannungen

Die Geräte erzeugen hohe elektrische Spannungen bis zu 900 V. Öffnen oder berühren Sie die Geräte während des Betriebs nicht. Halten Sie während des Betriebs alle Abdeckungen und Schaltschranktüren geschlossen.

Während des Betriebes können Servoverstärker ihrer Schutzart entsprechend spannungsführende, blanke Teile besitzen.

An spannungsführenden Teilen besteht unmittelbare Lebensgefahr. Verbaute Schutzmaßnahmen wie Isolationen oder Abschirmungen dürfen nicht entfernt werden. Arbeiten an der elektrischen Anlage sind nur durch geschultes und eingewiesenes Personal, unter Beachtung der Vorschriften für Arbeitssicherheit und nur bei ausgeschalteter und gegen Wiedereinschalten gesicherter elektrischer Versorgung zulässig.

Trennen Sie nie die elektrischen Verbindungen zum Verstärker, während dieser Spannung führt. Es besteht die Gefahr von Lichtbogenbildung mit Verletzungsgefahr (Verbrennungen oder Erblindung) und Schäden an Kontakten. Warten Sie nach dem Trennen des Verstärkers von der Versorgungsspannung mindestens 5 Minuten, bevor Sie Geräteteile, die potenziell Spannung führen (z. B. Kontakte), berühren oder Anschlüsse trennen.

Messen Sie stets die Spannung am DC-Bus-Zwischenkreis und warten Sie, bis die Spannung unter 50 V gesunken ist, bevor Sie Komponenten berühren.

Funktionale Sicherheit

Die Sicherheitsfunktion STO im SERVOSTAR 300 ist zertifiziert. Die Bewertung der Sicherheitsfunktion nach EN13849 oder EN 62061 ist abschließend durch den Anwender zu erstellen.

Verstärkte Isolierung

Im Motor eingebaute Temperaturfühler, Motorhaltebremsen und Rückführsysteme müssen mit einer verstärkten Isolierung (gem. EN 61800-5-1) gegenüber Systemkomponenten mit Leistungsspannung versehen sein, entsprechend der geforderten Prüfspannung der Applikation. Alle Kollmorgen Komponenten entsprechen diesen Anforderungen.

Geräte nicht verändern

Veränderung an der Servoverstärker Hardware ohne Erlaubnis des Herstellers sind nicht zulässig. Öffnen der Geräte bedeutet Verlust der Gewährleistung.

2.1.2 Warnhinweise auf dem Produkt



ACHTUNG

Beschädigte Warningsymbole müssen sofort ersetzt werden.

2.1.3 Bestimmungsgemäße Verwendung

- Servoverstärker sind Komponenten, die in elektrische Anlagen oder Maschinen eingebaut werden und nur als integrierte Bestandteile dieser Anlagen oder Maschinen betrieben werden können.
- Bei Einsatz der Servoverstärker im Wohnbereich, in Geschäfts- und Gewerbebereichen sowie Kleinbetrieben müssen zusätzliche Filtermaßnahmen getroffen werden.

Einbau und Verdrahtung

- Sie dürfen die Servoverstärker **nur im geschlossenen** Schaltschrank unter Berücksichtigung der definierten Umgebungsbedingungen und Einbaumaße . Um die Schaltschranktemperatur unter 40°C zu halten, können Belüftung oder Kühlung erforderlich sein.
- Verwenden Sie nur Kupferleitungen zur Verdrahtung. Die Leiterquerschnitte ergeben sich aus der Norm EN 60204 (bzw. Tabelle 310-16 der NEC 60°C oder 75°C Spalte für AWG).

Spannungsversorgung

- Die S300 Servoverstärker (Überspannungskategorie III gem. EN 61800-5-1) können direkt an dreiphasigen, geerdeten Industrienetzen (TN-Netz, TT-Netz mit geerdetem Sternpunkt, max. 42kA symmetrischer Nennstrom bei 110V-10%...230V+10% bzw. 208V -10%...480V +10% je nach Typ) verwendet werden. Beim Anschluss an andere Netze beachten Sie die Hinweise in der Betriebsanleitung.
- Periodische Überspannungen zwischen Außenleitern (L1, L2, L3) und Gehäuse des Servoverstärkers dürfen 1000V (Amplitude) nicht überschreiten. Spannungsspitzen (<50µs) zwischen den Außenleitern dürfen 1000V nicht überschreiten. Spannungsspitzen (<50µs) zwischen Außenleitern und Gehäuse dürfen 2000V nicht überschreiten.

Motoren

- Die S300 Servoverstärker sind **ausschließlich** zum Antrieb von geeigneten Synchron-Servomotoren mit geschlossenem Drehmoment-, Drehzahl- und/oder Positionsregelkreis vorgesehen. Die Nennspannung der Motoren muss höher oder mindestens gleich der vom Servoverstärker gelieferten Zwischenkreisspannung sein.

Funktionale Sicherheit

- Bei Verwendung der Sicherheitsfunktion STO beachten Sie die speziellen Vorgaben für die bestimmungsgemäße Verwendung .

2.1.4 Nicht bestimmungsgemäße Verwendung

Eine andere Verwendung als in Kapitel "Bestimmungsgemäße Verwendung" beschrieben ist nicht bestimmungsgemäß und kann zu Schäden bei Personen, Gerät oder Sachen führen. Der Servoverstärker darf nicht mit Maschinen verwendet werden, die nicht den geltenden nationalen Richtlinien oder Normen entsprechen. Die Verwendung des Servoverstärkers in den folgenden Umgebungen ist ebenfalls untersagt:

- explosionsgefährdete Bereiche,
- Umgebungen korrosiven und/oder elektrisch leitenden Säuren, alkalischen Lösungen, Ölen, Dämpfen und Staub,
- direkt an ungeerdeten oder unsymmetrisch geerdeten Netzen mit $U_N > 230V$
- Schiffe oder Offshore-Anwendungen.

Die Ansteuerung von Haltebremsen durch den S300 alleine darf nicht in Anwendungen verwendet werden, wo mit der Bremse die funktionale Sicherheit gewährleistet werden soll.

2.2 Produkt Lebenszyklus, Handhabung

2.2.1 Transport

Transportieren Sie den SERVOSTAR 300 gemäß EN 61800-2 wie folgt:

- Nur durch qualifiziertes Personal in der wiederverwertbaren Originalverpackung des Herstellers.
- Vermeiden Sie harte Stöße
- Temperatur: -25 bis +70°C, max. 20K/Stunde schwankend, Klasse 2K3 gem. EN61800-2, EN 60721-3-1
- Feuchtigkeit: max. 95 % relative Luftfeuchtigkeit, nicht kondensierend, Klasse 2K3 gem. EN61800-2, EN 60721-3-1
- Wenn die Verpackung beschädigt ist, prüfen Sie das Gerät auf sichtbare Schäden. Informieren Sie den Transporteur und gegebenenfalls den Hersteller.

ACHTUNG

Die Servoverstärker enthalten elektrostatisch gefährdete Komponenten, die durch unsachgemäßen Gebrauch beschädigt werden können. Entladen Sie Ihren Körper, bevor Sie den Servoverstärker berühren. Vermeiden Sie es, hoch isolierende Stoffe zu berühren (Kunstfasern, Plastikfolie usw.). Legen Sie den Servoverstärker auf eine leitfähige Oberfläche.

2.2.2 Verpackung

Die SERVOSTAR 300 Verpackung besteht aus einem recyclebaren Karton mit Einlagen.

- Maße: (HxBxT) 115x365x275mm
- Kennzeichnung: Geräte-Typenschild außen am Karton

2.2.3 Lagerung

Lagern Sie den SERVOSTAR 300 gemäß EN 61800-2 wie folgt:

- Nur in der wiederverwertbaren Originalverpackung des Herstellers
- max. Stapelhöhe: 8 Kartons
- Lagertemperatur: -25 bis +55°C, max. Schwankung 20°C / Stunde, Klasse 1K4 gem. EN61800-2, EN 60721-3-1
- Lagerfeuchtigkeit: 5 ... 95% relative Luftfeuchtigkeit, nicht kondensierend, Klasse 1K3 gem. EN61800-2, EN 60721-3-1
- Lagerdauer: Weniger als 1 Jahr ohne Beschränkung.
Mehr als 1 Jahr: Kondensatoren müssen **formiert** werden, bevor der Servoverstärker in Betrieb genommen wird. Um die Kondensatoren zu formieren, trennen Sie alle elektrischen Anschlüsse und legen Sie etwa 30 Minuten 230 V AC an L1/L2 an.

2.2.4 Installation, Setup und Normalbetrieb

Information zu Installation und Setup finden Sie in der Betriebsanleitung.

Normalbetrieb getestet für Umgebungsklasse 3K3 gemäß EN 61800-2.

Der Hersteller der Maschine definiert die erforderlichen Fachkenntnisse des Endnutzers gemäß der Risikobeurteilung für die Maschine und beschreibt abhängig von der Applikation die Erfordernisse für den normalen Betrieb.

2.2.5 Außer Betrieb nehmen

ACHTUNG

Nur Fachpersonal mit Kenntnissen im Bereich der Elektrotechnik darf Systemkomponenten außer Betrieb nehmen.

GEFAHR: Tödliche Spannung! Es besteht die Gefahr von schweren oder tödlichen Verletzungen durch elektrischen Schlag oder Lichtbogenbildung.

- Schalten Sie den Hauptschalter des Schaltschranks aus.
- Sichern Sie das System gegen Wiedereinschalten.
- Blockieren Sie den Hauptschalter.
- Warten Sie mindestens 5 Minuten nach Abschalten der Spannung.

2.2.6 Wartung und Reinigung

Das Gerät ist wartungsfrei. Wenn das Gerät geöffnet wird, erlischt die Garantie. Das Innere des Geräts kann nur vom Hersteller gereinigt werden.

ACHTUNG

Das Gerät nicht in Flüssigkeiten tauchen oder besprühen. Vermeiden Sie, dass Flüssigkeit in das Gerät eindringt

So reinigen Sie das Gerät von außen:

1. Nehmen Sie das Gerät außer Betrieb (siehe Kapitel 2.2.5 "Außer Betrieb nehmen").
2. Gehäuse: Mit Isopropanol oder einer ähnlichen Reinigungslösung reinigen.

VORSICHT : Leicht Entflammbar! Gefahr von Verletzung durch Verpuffung und Feuer.

- Beachten Sie die Sicherheitshinweise auf der Verpackung des Reinigungsmittels.
 - Warten Sie nach der Reinigung mindestens 30 Minuten, bevor Sie das Gerät wieder in Betrieb nehmen.
3. Schutzgitter am Lüfter: Mit einer trockenen Bürste reinigen.

2.2.7 Demontage

ACHTUNG

Nur Fachpersonal mit Kenntnissen im Bereich der Elektrotechnik darf Systemkomponenten demontieren.

1. Nehmen Sie das Gerät außer Betrieb (siehe Kapitel 2.2.5 "Außer Betrieb nehmen").
2. Prüfen Sie die Temperatur.

VORSICHT: Hohe Temperatur! Gefahr leichter Verbrennungen. Im Betrieb kann der Kühlkörper Temperaturen über 80 °C erreichen. Bevor Sie das Gerät berühren, messen Sie die Temperatur und warten Sie, bis der Verstärker auf unter 40 °C abgekühlt ist.

3. Entfernen Sie die Stecker. Trennen Sie den PE Anschluss zuletzt.
4. Ausbauen: Lösen Sie die Befestigungsschrauben und entfernen Sie das Gerät.

2.2.8 System Reparatur

ACHTUNG

Nur Fachpersonal mit Kenntnissen im Bereich der Elektrotechnik darf Systemkomponenten austauschen.

VORSICHT: Unerwarteter Anlauf! Bei der Durchführung von Austauscharbeiten kann es zur Kombination von Gefährdungen und multiplen Folgen kommen.

- Arbeiten sind nur unter Beachtung der Vorschriften für Arbeitssicherheit, durch geschultes Personal und mit Benutzung der jeweils vorgeschriebenen persönlichen Schutzausrüstung zulässig.

Austausch des Gerätes

Nur der Hersteller kann das Gerät reparieren. Öffnen des Gerätes bedeutet Verlust der Gewährleistung.

1. Nehmen Sie das Gerät außer Betrieb (siehe Kapitel 2.2.5 "Außer Betrieb nehmen").
2. Demontieren Sie das Gerät (siehe Kapitel 2.2.7 "Demontage").
3. Senden Sie das Gerät an den Hersteller.
4. Installieren Sie ein neues Gerät wie in diesem Handbuch beschrieben.
5. Nehmen Sie das System in Betrieb, wie in diesem Handbuch beschrieben.

Austausch sonstiger Teile des Antriebssystems

Wenn Teile des Antriebssystems ausgetauscht werden müssen (zum Beispiel Kabel), gehen Sie wie folgt vor:

1. Nehmen Sie das Gerät außer Betrieb (siehe Kapitel 2.2.5 "Außer Betrieb nehmen").
2. Tauschen Sie die Teile aus.
3. Prüfen Sie alle Steckverbindungen auf korrekten Sitz.
4. Nehmen Sie das System in Betrieb, wie in diesem Handbuch beschrieben.

2.2.9 Entsorgung

ACHTUNG

Für die fachgerechte Entsorgung des Gerätes wenden Sie sich an einen zertifizierten Elektronikschrottverwerter.

Gemäß der Richtlinie WEEE-2012/19/EG u.ä. nimmt der Hersteller Altgeräte und Zubehör zur fachgerechten Entsorgung zurück. Die Transportkosten muss der Versender tragen. Setzen Sie sich mit Kollmorgen in Verbindung und klären Sie die logistische Abwicklung.

3 Français

3.1 Sécurité	20
3.1.1 Vous devriez faire attention à ce chapitre	20
3.1.2 Avertissements sur le produit	22
3.1.3 Utilisation conforme	23
3.1.4 Utilisation non conforme	23
3.2 Gestion du cycle de vie du produit	24
3.2.1 Transport	24
3.2.2 Emballage	24
3.2.3 Stockage	24
3.2.4 Installation, configuration et fonctionnement normal	25
3.2.5 Mise hors service	25
3.2.6 Maintenance et nettoyage	25
3.2.7 Désinstallation	25
3.2.8 Réparation	26
3.2.9 Mise au rebut	26

3.1 Sécurité

Le présent chapitre vous aide à détecter et à prévenir les risques concernant les personnes et les biens matériels.

3.1.1 Vous devriez faire attention à ce chapitre

Personnel spécialisé

Seul le personnel qualifié est autorisé à effectuer les travaux tels que transport, installation, mise en service et entretien. On considère comme personnel qualifié les personnes familiarisées avec le transport, l'installation, la mise en service et l'exploitation des entraînements électriques:

- Transport, stockage, déballage : uniquement réservés à un personnel avec des connaissances en matière de manipulation de composants sensibles à l'électricité statique.
- Installation mécanique : uniquement à un personnel avec une expertise mécanique.
- Installation électrique : uniquement à un personnel avec une expertise électrotechnique.
- Mise en service : uniquement par du personnel spécialisé ayant des connaissances étendues dans les domaines de l'électrotechnique et des systèmes d'entraînement

Le personnel qualifié doit connaître et respecter les normes ISO 12100, CEI 60364 et CEI 60664 ainsi que les réglementations nationales en matière de prévention des accidents.

Lecture de la documentation

Lisez la documentation fournie avant le montage et la mise en service. Une mauvaise manipulation des appareils peut entraîner des dommages aux personnes et aux biens. L'exploitant doit donc s'assurer que toutes les personnes auxquelles sont confiés des travaux sur le système d'entraînement ont bien lu le manuel d'utilisation, l'ont compris et que les instructions de sécurité de ce manuel sont respectées.

Contrôle de la version matérielle

Vérifiez le numéro de version matérielle (HWR) du produit (voir plaque signalétique). Ce numéro est le lien entre votre produit et le manuel. Il doit correspondre au numéro de révision matérielle figurant sur la page de garde du manuel.

Prise en compte des données techniques

Respectez les caractéristiques techniques et les indications relatives aux conditions de raccordement (plaque signalétique et documentation). Le dépassement des valeurs de tension ou d'intensité autorisées peut entraîner des dommages sur l'appareil. Un moteur inadapté ou un câblage incorrect risque d'endommager les composants du système. Vérifiez la combinaison du variateur et du moteur. Comparez la tension et l'intensité nominales des unités.

Composants sensibles aux décharges électrostatiques

Les appareils contiennent des composants sensibles à l'électricité statique, qui peuvent être endommagés par des manipulations inadéquates. Evacuez la charge électrostatique de votre corps avant de toucher l'appareil. Evitez de toucher des matériaux hautement isolants (fibres artificielles, film plastique, etc.). Posez l'appareil sur une surface conductrice.

Analyse des risques

Le constructeur de la machine doit effectuer une analyse des risques liés à son équipement et prendre les mesures appropriées pour éviter que des mouvements imprévus ne provoquent des dommages aux personnes et aux biens. En fonction de l'analyse des risques, vous pouvez éventuellement donner des instructions supplémentaires au personnel spécialisé.



Redémarrage automatique !

L'entraînement peut redémarrer automatiquement après la mise sous tension, creux de tension ou interruption de la tension d'alimentation, en fonction de la valeur du paramètre. Il existe un risque de blessures graves, voire mortelles, pour les personnes travaillant sur la machine. Lorsque le paramètre AENA est défini sur 1, placez un panneau d'avertissement sur la machine et assurez-vous qu'il n'est pas possible d'enclencher la tension d'alimentation pendant que des personnes se trouvent dans la zone de danger de la machine. En cas d'utilisation d'un dispositif de protection contre les sous-tensions, respectez EN 60204-1: 2006 Chapitre 7.5.



Surface chaude

Les surfaces des variateurs peuvent devenir très chaudes pendant le fonctionnement. Le dissipateur thermique peut atteindre des températures supérieures à 80°C. Risque de brûlures légères. Mesurez la température et attendez que le dissipateur thermique soit redescendu en-dessous de 40°C avant de le toucher.



Mise à la terre

Assurez-vous de la mise à la terre correcte du variateur, avec le profilé PE de l'armoire électrique comme potentiel de référence. Risque de choc électrique. Faute d'une mise à la terre de faible impédance, la sécurité des personnes n'est pas assurée et il existe un risque de choc électrique pouvant être mortel.

Courant de fuite

Étant donné que le courant de fuite via le conducteur PE est supérieur à 3,5 mA, conformément à CEI 61800-5-1, le raccordement du conducteur PE doit être doublé, ou un câble de connexion avec une section supérieure à 10 mm² doit être utilisé. Des mesures différentes conformes aux normes régionales peuvent être appliquées.



Hautes tensions

Les appareils produisent des tensions électriques élevées pouvant atteindre 900 V. Veillez à ne jamais ouvrir ni toucher les appareils pendant leur fonctionnement. En fonctionnement, maintenez tous les couvercles et portes d'armoires électriques fermés.

En fonctionnement, selon leur indice de protection, les variateurs peuvent présenter des parties non isolées conductrices.

Il existe un danger mortel au niveau des composants sous tension de l'appareil. Les dispositifs de protection intégrés, tels qu'une isolation ou un blindage, ne peuvent pas être retirés. Seul du personnel dûment formé et qualifié est habilité à travailler sur l'installation électrique, conformément aux réglementations sur la sécurité au travail, et uniquement lorsque l'alimentation secteur coupée et protégée contre tout redémarrage.

Ne débranchez pas les liaisons électriques avec le variateur tant que ce dernier est conducteur de tension. Il existe un risque d'arc électrique pouvant entraîner des dommages corporels (brûlures ou cécité) et des dommages matériels sur les contacts. Après avoir débranché le variateur de la tension d'alimentation, attendez au moins 5 minutes avant de toucher des parties conductrices (par exemple, contacts) ou de débrancher des connexions.

Mesurez systématiquement la tension sur le circuit intermédiaire du bus DC et attendez que la tension soit descendue en-dessous de 50 V avant de toucher des composants.

Sécurité fonctionnelle

La mise en œuvre de la sécurité STO sur l'SERVOSTAR 300 est certifiée. L'évaluation des fonctions de sécurité conformément à la norme EN 13849 ou EN 62061 doit être effectuée au final par l'utilisateur.

Isolation renforcée

La sonde de température intégrée dans le moteur, les freins d'arrêt du moteur et les systèmes de recyclage doivent être pourvus d'une isolation renforcée (selon EN 61800-5-1) par rapport aux composants systèmes dotés d'une tension d'alimentation, conformément à la tension d'essai requise de l'application. Tous les composants Kollmorgen satisfont à ces exigences.

Interdiction de modifier les appareils

Il est interdit de modifier le matériel du variateur sans l'autorisation du fabricant. L'ouverture du boîtier entraîne une perte de garantie.

3.1.2 Avertissements sur le produit



AVIS

Des symboles d'avertissement endommagés doivent être remplacés immédiatement

3.1.3 Utilisation conforme

- Les S300 sont montés en tant que composants dans des installations ou des machines électriques. Ils ne peuvent être mis qu'en service en tant que composants intégrés.
- En cas d'utilisation des variateurs dans des zones d'habitation, dans des zones commerciales et industrielles ainsi que dans de petites entreprises, il sera indispensable que des mesures de filtrage supplémentaires soient prises par l'utilisateur.

Armoire et câblage

- L'utilisation des variateurs est **exclusivement** autorisée dans une armoire de manoeuvre fermée, en tenant compte des conditions ambiantes et de montage . Pour obtenir une température sous 40°C ventilation ou refroidissement peut être nécessaire.
- Il faut impérativement utiliser des fils a cuivre pour tout raccordement. Diamètre suivant le norme EN 60204 (resp. tableau 310-16 de NEC 60°C ou 75°C colonne pour AWG).

Alimentation

- Les variateurs de la série SERVOSTAR 300 (catégorie de surtensions III conformément à EN61800-5-1) peuvent être directement utilisés sur des réseaux triphasés industriels avec terre (réseaux TN, réseaux TT avec neutre mis à la terre, 42kA max. de courant nominal symétrique sous 110V-10%...230V+10% ou 208V -10%...480V +10% selon le type). En cas d'utilisation sur d'autres types de réseaux, lire attentivement les instructions de *Manuel d'Instructions*.
- Les surtensions périodiques mesurées entre fils de phase extérieurs (L1, L2, L3) et le boîtier de variateur ne doivent pas excéder 1000V (en amplitude). Conformément aux dispositions de la norme EN 61800, les pointes de tension (< 50µs) ne doivent pas excéder 1000V entre phases. Les pointes de tension (< 50µs) entre fils de phase extérieurs et le boîtier ne doivent pas excéder 2000V.

Moteurs

- Les variateurs S300 sont **exclusivement** destinés à piloter en couple, en vitesse et/ou en position des servomoteurs synchrones sans balais. La tension nominale des moteurs doit être supérieure ou au moins égale à la tension du circuit intermédiaire délivrée par le variateur.

Sécurité fonctionnelle

- Lors de l'utilisation de la fonction de sécurité STO, respectez les consignes particulières concernant une utilisation conforme .

3.1.4 Utilisation non conforme

Toute utilisation autre que celle décrite dans le chapitre "Utilisation conforme" n'est pas prévue et peut entraîner des dommages corporels et matériels. Le S300 ne doit pas être utilisé avec des machines ne respectant pas les normes ou les réglementations nationales appropriées. L'utilisation du variateur dans les environnements suivants est également proscrite :

- Zones potentiellement explosives
- Environnements avec acides corrosifs et/ou conducteurs, solutions alcalines, huiles, vapeurs, poussières
- Navires ou applications offshore

La commande des freins de maintien par le S300 seul ne peut pas être utilisée dans le cadre d'applications où la sécurité fonctionnelle doit être assurée par le frein.

3.2 Gestion du cycle de vie du produit

3.2.1 Transport

Le transport du variateur S300 doit se faire conformément à la norme EN 61800-2 :

- Uniquement par personnel qualifié dans l'emballage d'origine recyclable du constructeur.
- Éviter les chocs brusques
- Température: $-25 \dots +70^{\circ}\text{C}$, 20 K / heure max. fluctuante, classe 2K3 à EN61800-2, EN 60721-3-1
- Humidité de l'air: humidité rel. 95 % max., condensation non admise, classe 2K3 à EN61800-2, EN 60721-3-1
- En présence d'un emballage endommagé, vérifier si l'appareil présente des dommages visibles. Informez le transporteur et, le cas échéant, le constructeur.

AVIS

Les variateurs contiennent des composants électrostatiquement menacés qui risquent d'être endommagés s'ils ne sont pas convenablement manipulés. Procéder à une décharge statique de votre corps avant de toucher directement au variateur. Éviter le contact de substances extrêmement isolantes (fibres synthétiques, feuilles plastiques, etc.). Déposer le variateur sur un support conducteur.

3.2.2 Emballage

L'emballage du variateur S300 est composé d'un carton recyclable avec pièces.

- Dimensions (HxLxP): 115x365x275 mm
- Identification: plaque signalétique dehors au carton

3.2.3 Stockage

Le stockage du variateur S300 doit se faire conformément à la norme EN 61800-2 :

- Uniquement dans l'emballage d'origine recyclable du constructeur
- Hauteur d'empilage max. 8 cartons
- Température de stockage: $-25 \dots +55^{\circ}\text{C}$, max 20 K/heure fluctuante, class 1K4 acc. to EN61800-2, EN 60721-3-1
- Humidité de l'air: humidité rel. 5...95 % max., condensation non admise, class 1K3 acc. to EN61800-2, EN 60721-3-1
- Durée de stockage: < 1 an : sans restriction
Durée de stockage > 1 an : les condensateurs doivent être **reformés** avant la mise en service du variateur. A cet effet, débrancher tous les raccordements électriques. Puis, alimenter le variateur avec une phase pendant une trentaine de minutes en 230 V CA, sur les bornes L1 / L2.

3.2.4 Installation, configuration et fonctionnement normal

Vous trouverez des informations sur l'installation et la configuration dans Manuel d'Instructions.

Fonctionnement normal testé pour la classe environnementale 3K3 selon EN 61800-2 .

Le fabricant de la machine définit l'expertise requise de l'utilisateur final en fonction de l'évaluation des risques pour la machine et décrit les exigences pour un fonctionnement normal en fonction de l'application.

3.2.5 Mise hors service

AVIS

Seuls des spécialistes en électrotechnique sont habilités à mettre des composants du système hors service.

DANGER: Tension mortelle !

Il ya un risque de blessures graves ou la mort par choc électrique et de formation d'arc électrique.

- Coupez l'interrupteur principal de l'armoire de commande.
- Protégez le système contre toute remise en marche.
- Bloquez l'interrupteur principal..
- Attendez au moins 5 minutes.

3.2.6 Maintenance et nettoyage

L'appareil ne requiert aucune maintenance. Le fait d'ouvrir l'appareils annule la garantie. L'intérieur de l'unité ne peut être nettoyé que par le fabricant.

AVIS

N'immergez ou ne pulvérisez pas le dispositif . Évitez toute pénétration de liquides dans l'appareil.

Pour nettoyer l'extérieur d'appareil :

1. Mettez l'appareil hors service (reportez-vous au chapitre 3.2.5 "Mise hors service").
2. Carter : nettoyez avec de l'isopropanol ou une solution de nettoyage similaire.

ATTENTION : Facilement inflammable ! Risque de blessure par déflagration et d'incendie.

- Respectez les consignes de sécurité figurant sur l'emballage du produit de nettoyage.
 - Après le nettoyage, patientez au moins 30 min. avant de remettre l'appareil en service.
3. Grille de protection du ventilateur : nettoyez à l'aide d'une brosse à sec.

3.2.7 Désinstallation

AVIS

Seuls des spécialistes en électrotechnique sont habilités à remplacer les composants du système.

1. Mettez l'appareil hors service (reportez-vous au chapitre 3.2.5 "Mise hors service").
2. Vérifiez la température.

ATTENTION: Haute température! Risque de brûlures légères. Pendant le fonctionnement, le dissipateur thermique peut atteindre des températures supérieures à 80 °C. Avant de toucher le variateur, vérifiez la température et attendez qu'elle soit redescendue au-dessous de 40 °C.

3. Retirez les connecteurs. Déconnectez la prise de terre en dernier le cas échéant.
4. Démontage : desserrez les vis de fixation et retirez l'appareil.

3.2.8 Réparation

AVIS

Seuls des spécialistes en électrotechnique sont habilités à remplacer les composants du système.

ATTENTION: Démarrage automatique ! Lors d'opérations de remplacement, une combinaison de dangers et de plusieurs événements peut se produire.

- Seul du personnel dûment formé et qualifié est habilité à travailler sur l'installation électrique, conformément aux réglementations sur la sécurité au travail, et uniquement en utilisant l'équipement de protection personnelle prescrit.

Remplacement l'appareil

Seul le fabricant est habilité à réparer l'appareil. Le fait d'ouvrir l'appareil annule la garantie.

1. Mettez l'appareil hors service (reportez-vous au chapitre 3.2.5 "Mise hors service").
2. Désinstallation d'appareil (voir chapitre 3.2.7 "Désinstallation").
3. Renvoyez l'appareil au fabricant.
4. Installez un nouvel appareil conformément aux instructions de ce manuel.
5. Mettez le système en service, conformément aux instructions de ce manuel.

Remplacement d'autres éléments du système d'entraînement

S'il s'avère nécessaire de remplacer des éléments du système d'entraînement (par exemple, des câbles), procédez comme suit:

1. Mettez l'appareil hors service (reportez-vous au chapitre 3.2.5 "Mise hors service").
2. Remplacez les éléments.
3. Vérifiez si toutes les connexions sont bien en place.
4. Mettez le système en service, conformément aux instructions de ce manuel.

3.2.9 Mise au rebut

AVIS

Pour une mise au rebut conforme de l'appareil, adressez-vous à une société certifiée de recyclage de déchets électroniques.

Conformément à la directive WEEE-2012/19/CE ou réglementation similaire, le fabricant accepte le retour d'appareils ou d'accessoires usagés pour une mise au rebut professionnelle. Les frais de transport incombent à l'expéditeur.

Contactez Kollmorgen et de clarifier la logistique.

4 Italiano

4.1 Sicurezza	28
4.1.1 Attenersi a queste indicazioni!	28
4.1.2 Avvertenze sul prodotto	30
4.1.3 Uso conforme	31
4.1.4 Uso vietato	31
4.2 Gestione del ciclo di vita del prodotto	32
4.2.1 Trasporto	32
4.2.2 Imballaggio	32
4.2.3 Conservazione	32
4.2.4 Installazione, configurazione e funzionamento normale	33
4.2.5 Messa fuori servizio	33
4.2.6 Manutenzione e pulizia	33
4.2.7 Smontaggio	33
4.2.8 Riparazione	34
4.2.9 Smaltimento	34

4.1 Sicurezza

Questo capitolo vi aiuta a riconoscere e a evitare pericoli per persone e cose.

4.1.1 Attenersi a queste indicazioni!

Interventi riservati al personale qualificato

Le operazioni di trasporto, installazione, messa in servizio e manutenzione possono essere effettuate unicamente da personale qualificato, che abbia familiarità con il trasporto, l'installazione, la messa in funzione e il funzionamento dei servoazionamenti.

- Trasporto, immagazzinamento, disimballaggio: unicamente a cura di personale con nozioni di movimentazione dei componenti sensibili alle cariche elettrostatiche.
- Installazione meccanica: unicamente a cura di personale esperto in meccanica.
- Installazione elettrica: unicamente a cura di personale esperto in elettrotecnica.
- Messa in servizio: solo da parte di personale qualificato con ampie conoscenze nei settori dell'elettrotecnica e dei sistemi di azionamento

Il personale qualificato deve conoscere e rispettare le norme ISO 12100, IEC 60364 e IEC 60664 e le disposizioni antinfortunistiche nazionali.

Leggere la documentazione

Prima di procedere al montaggio e alla messa in funzione leggere attentamente la presente documentazione. L'errata manipolazione del dispositivo può comportare danni a persone o a cose. L'operatore è quindi tenuto ad assicurarsi che tutto il personale addetto a lavori sugli sistemi di guida abbia letto e compreso il manuale e che le indicazioni di sicurezza riportate nel manuale siano rispettate.

Controllare la revisione dell'hardware

Controllare il numero di revisione dell'hardware del prodotto (si veda la targhetta di omologazione). Questo numero rappresenta il collegamento tra il prodotto e il manuale e deve corrispondere al numero di revisione hardware riportato sulla copertina del manuale.

Rispettare i dati tecnici

Osservare i dati tecnici e le indicazioni sulle condizioni di collegamento (targhetta di omologazione e documentazione). Se si superano i valori di tensione e di corrente ammessi, i servoamplificatori possono essere danneggiati. Un motore inadeguato o un cablaggio non adatto possono danneggiare i componenti del sistema. Controllare la combinazione di servoamplificatore e motore. Confrontare la tensione e la corrente nominali delle unità.

Componenti sensibili alle scariche elettrostatiche

Gli dispositivi contengono elementi sensibili alle scariche elettrostatiche, che possono danneggiarsi in caso di uso improprio. Scaricare l'elettricità statica dal corpo prima di toccare del dispositivo. Evitare il contatto con materiali altamente isolanti (fibre sintetiche, pellicole in materie plastiche e così via). Collocare il dispositivo su una superficie conduttiva.

Eseguire un'analisi dei rischi

Il produttore della macchina è tenuto a realizzare un'analisi dei rischi per il macchinario e ad adottare le misure necessarie affinché eventuali movimenti imprevisti non causino lesioni o danni a persone o cose. L'analisi dei rischi potrebbe comportare la necessità di ulteriori requisiti per il personale tecnico.



Riavvio automatico!

L'azionamento potrebbe riavviarsi automaticamente dopo l'accensione, cali di tensione o interruzione della tensione di alimentazione, a seconda della parametrizzazione. Sussiste il pericolo di lesioni gravi o di morte per il personale addetto ai lavori sulla macchina. Se il parametro AENA è impostato su 1, occorre apporre un cartello di avvertenza sulla macchina (Avvertenza: riavvio automatico dopo l'inserzione!) e assicurarsi che l'inserzione della tensione di rete non sia possibile in presenza di persone nella zona pericolosa della macchina. En cas d' utilizzo d'un dispositif de protection contre les sous- tensions , respectez EN 60204-1 : 2006 Chapitre 7.5..



Superfici calde

In corso di funzionamento le superfici degli amplificatori possono surriscaldarsi. Il dissipatore di calore può raggiungere temperature superiori agli 80°C. Pericolo di ustioni lievi. Misurare la temperatura e attendere che il dissipatore abbia raggiunto i 40°C prima di toccarlo.



Messa a terra

Assicurare la regolare messa a terra del dispositivo con la bandella PE all'interno dell'armadio di distribuzione come potenziale di riferimento. Sussiste il pericolo di scosse elettriche. Senza una messa a terra a bassa impedenza non viene garantita la sicurezza personale e sussiste pericolo di morte per scosse elettriche.

Corrente di dispersione

Dato che la corrente di dispersione al PE è superiore a 3,5 mA, secondo IEC61800-5-1 il collegamento PE deve essere raddoppiato oppure si deve usare un cavo di collegamento con una sezione trasversale > 10 mm². Sono possibili misure divergenti a seconda degli standard regionali.



Alta tensione

Gli apparecchi generano tensioni elettriche elevate fino a 900 V. Non aprire o toccare i dispositivi durante il funzionamento. Si raccomanda inoltre di tenere chiuse tutte le coperture e le porte dei quadri elettrici ad armadio. Durante il funzionamento, a seconda del loro grado di protezione, i servoamplificatori possono presentare parti scoperte sotto tensione.

Pericolo di morte in prossimità di parti del dispositivo sotto tensione. Le misure di protezione integrate come l'isolamento o la schermatura non possono essere rimosse. I lavori sull'impianto elettrico possono essere eseguiti unicamente da personale qualificato e debitamente addestrato, nel rispetto della normativa vigente in materia di sicurezza sul lavoro, e solo con l'interruttore principale spento e protetto da un riavvio indesiderato.

Non staccare mai i collegamenti all'amplificatore quando questo è sotto tensione. Sussiste il pericolo di formazione di archi con conseguente rischio di lesioni (ustioni e accecamento) nonché danni ai contatti. Dopo aver staccato gli amplificatori dalle tensioni di alimentazione, attendere almeno 5 minuti prima di toccare i componenti potenzialmente sotto tensione (ad esempio i contatti) o di allentare collegamenti.

Misurare sempre la tensione sul circuito intermedio bus DC e attendere fino a quando è scesa al di sotto di 50 V prima di toccare i componenti.

Sicurezza di funzionamento

L'implementazione della funzione di sicurezza STO sul modello SERVOSTAR 300 è certificata. La verifica delle funzioni di sicurezza secondo le norme EN 13849 o EN 62061 deve essere eseguita alla fine dall'utente.

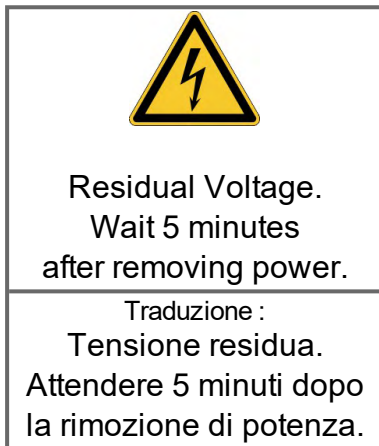
Isolamento rinforzato

I sensori di temperatura, i freni di arresto del motore e i sistemi di retroazione integrati nel motore devono essere dotati di un isolamento rinforzato (secondo EN 61800-5-1) nei confronti dei componenti del sistema con tensione di alimentazione, in base alla tensione di prova richiesta dall'applicazione. Tutti i componenti Kollmorgen rispondono a questi requisiti.

Non modificare gli apparecchi

Non è consentito modificare l'hardware del servoamplificatore senza l'autorizzazione del produttore. L'apertura dell'alloggiamento causa la perdita della garanzia.

4.1.2 Avvertenze sul prodotto



AVVISO

Se questi simboli sono danneggiati vanno sostituiti immediatamente.

4.1.3 Uso conforme

- I servoamplificatori vengono montati come componenti su impianti o macchine elettrici e possono essere messi in funzione solo come componenti integrati dell'impianto.
- In caso d'uso dei servoamplificatori in ambito domestico, commerciale e industriale, come pure in piccole aziende l'utente deve adottare misure di filtrazione supplementari.

Armadio e Cablaggio

- I servoamplificatori possono funzionare solo in un quadro elettrico ad armadio chiuso, alle condizioni ambientali definite e le dimensioni di installazione. Per mantenere una temperatura inferiore a 40°C nel quadro elettrico ad armadio possono essere necessari sistemi di aerazione o raffreddamento.
- Per il cablaggio, utilizzare solo cavi in rame. Le sezioni dei cavi sono indicate nella norma EN 60204 (o tabella 310-16 di NEC 60°C o 75°C, colonna per sezioni AWG).

Alimentazione elettrica

- I servoamplificatori della serie S300 (categoria di sovratensione III secondo EN 61800-5-1) possono essere utilizzati direttamente su reti industriali trifasiche con messa a terra (rete TN, rete TT con centro neutro a terra e corrente nominale simmetrica non superiore a 42kA a 110V-10%...230V+10% o 208V -10%...480V +10% secondo il tipo dell'amplificatore). Per il collegamento ad altre reti vedere Manuale d'Istruzione.
- I sovraccarichi periodici tra conduttori esterni (L1, L2, L3) ed alloggiamento del servoamplificatore non possono superare i 1000 V (ampiezza). Secondo EN61800 i picchi di tensione (<50µs) tra i conduttori esterni non possono superare i 1000 V. I picchi di tensione (< 50µs) tra conduttori esterni ed alloggiamento non possono superare i 2000 V.

Motori

- I servoamplificatori della famiglia S300 sono destinati esclusivamente all'azionamento di servomotori sincroni brushless adatti con regolazione di coppia, velocità e/o posizione. La tensione nominale dei motori deve essere superiore o almeno uguale alla tensione di circuito intermedio fornita dal servoamplificatore.

Sicurezza funzionale

- Durante l'uso di opzione STO attenersi alle avvertenze riportate.

4.1.4 Uso vietato

Un uso diverso da quanto descritto nel capitolo "Uso conforme" non è previsto e può provocare lesioni personali e danni materiali. Non usare il servoamplificatore con una macchina non conforme alle direttive o normative nazionali corrispondenti. Inoltre è vietato l'uso del servoamplificatore nei seguenti ambienti:

- aree potenzialmente esplosive
- ambienti con acidi corrosivi e/o elettricamente conduttivi, soluzioni alcaline, oli, vapori, polveri
- direttamente su reti elettriche non collegate a terra o su alimentazioni messe a terra asimmetricamente con una tensione > 230V.
- navi o applicazioni offshore

Il controllo dei freni della tenuta dallo S300 da solo non può essere utilizzato nelle applicazioni, dove la sicurezza funzionale deve essere accertata con il freno.

4.2 Gestione del ciclo di vita del prodotto

4.2.1 Trasporto

Trasportare S300 secondo EN 61800-2 come segue:

- affidare il trasporto esclusivamente a personale qualificato, mantenere il dispositivo nell'imballaggio riciclabile originale del produttore.
- Evitare urti durante il trasporto.
- intervalli di temperatura specifici: da -25 a +70°C, tasso di variazione max. 20 K/ora, categoria 2K3 secondo EN61800-2, EN 60721-3-1
- umidità specifici: max. 95% di umidità relativa, senza la formazione di condensa, categoria 2K3 secondo EN61800-2, EN 60721-3-1
- Se l'imballaggio è danneggiato, controllare che l'unità non presenti danni visibili. Informare il trasportatore e il costruttore di qualsiasi danno eventuale all'imballaggio o al prodotto.

AVVISO

I servoamplificatori contengono componenti sensibili alle cariche elettrostatiche che possono danneggiarsi in caso di uso improprio. Eliminare le cariche elettrostatiche dal proprio corpo prima di toccare il servoamplificatore. Evitare il contatto con materiali altamente isolanti come tessuti artificiali o pellicole di plastica. Collocare il servoamplificatore su una superficie conduttiva.

4.2.2 Imballaggio

L'imballaggio de SERVOSTAR 300 è composto da cartone riciclabile con inserti.

- Imballaggio (AxLxP): 115x365x275 mm
- Identificazione: un'etichetta all'esterno della scatola

4.2.3 Conservazione

Conservare SERVOSTAR 300 secondo EN 61800-2 come segue:

- solo nell'imballaggio riciclabile originale del produttore
- conservare a un'altezza di impilaggio pari o inferiore a 8 cartoni
- intervalli di temperatura specifici: da -25 a +55°C, tasso di variazione max. 20 K/ora, categoria 1K4 secondo EN61800-2, EN 60721-3-1
- intervalli di umidità specifici: dal 5 al 95% di umidità relativa, senza la formazione di condensa, categoria 1K3 secondo EN61800-2, EN 60721-3-1
- conservare secondo i seguenti requisiti di durata:
 - meno di 1 anno: senza restrizioni.
 - oltre 1 anno: i condensatori devono essere rigenerati prima di configurare e mettere in funzione il servoamplificatore. A questo scopo rimuovere tutti i collegamenti elettrici ed applicare tensione monofase da 240Vca per circa 30 minuti ai morsetti L1/L2.

4.2.4 Installazione, configurazione e funzionamento normale

Informazioni su installazione e configurazione sono disponibili in Manuale di Istruzioni.

Funzionamento normale testato per classe ambientale 3K3 secondo EN 61800-2 .

Il produttore della macchina definisce l'esperienza richiesta dall'utente finale in base alla valutazione del rischio per la macchina e descrive i requisiti per il normale funzionamento a seconda dell'applicazione.

4.2.5 Messa fuori servizio

AVVISO

La messa fuori servizio di parti del sistema di azionamento può avvenire unicamente ad opera di personale qualificato specializzato in elettrotecnica.

PERICOLO: Tensione letale !

Vi è il rischio di lesioni gravi o morte da shock elettrico o di arco.

- Disinserire l'interruttore generale dell'armadio elettrico..
- Mettere in sicurezza il sistema per evitarne il riavvio accidentale.
- Bloccare l'interruttore principale.
- Attendere dopo aver scollegato il sistema almeno 5 minuti.

4.2.6 Manutenzione e pulizia

Lo strumento non necessitano di alcuna manutenzione. L'apertura degli strumenti comporta l'estinzione della validità della garanzia. La parte interna dell'unità può essere pulita soltanto dal costruttore.

AVVISO

Non immergere il strumento né spruzzare sulla sua superficie. Evitare l'ingresso di liquidi nel dispositivo.

Per pulire la parte esterna del servoamplificatore:

1. Messa fuori servizio del dispositivo (vedere il capitolo 4.2.5 "Messa fuori servizio").
2. Alloggiamento: pulire con isopropanolo o una soluzione detergente simile

ATTENZIONE : Facilmente infiammabile! Pericolo di lesioni da esplosione e incendio.

- Attenersi alle indicazioni di sicurezza riportate sulla confezione del detergente.
 - Dopo la pulizia attendere almeno 30 minuti prima di rimettere in funzione il dispositivo.
3. Griglia protettiva o ventola: pulire con una spazzola asciutta

4.2.7 Smontaggio

AVVISO

La sostituzione di componenti del sistema può essere svolta unicamente da personale specializzato con conoscenze nel campo dell'elettrotecnica.

1. Messa fuori servizio del dispositivo (vedere il capitolo 4.2.5 "Messa fuori servizio").
2. Controllare la temperatura.

ATTENZIONE: Alta temperatura! Pericolo di ustioni lievi. Durante il funzionamento, il dissipatore di calore del dispositivo può raggiungere temperature superiori a 80°C. Prima di toccare il dispositivo, controllarne la temperatura e attendere finché non è scesa sotto i 40°C.

3. Rimuovere i connettori. Scollegare il collegamento della terra potenziale per ultimo.
4. Smontaggio: Allentare le viti di fissaggio e rimuovere il dispositivo.

4.2.8 Riparazione

AVVISO

La sostituzione di componenti del sistema può essere svolta unicamente da personale specializzato con conoscenze nel campo dell'elettrotecnica.

ATTENZIONE: Avvio automatico! Durante le operazioni di sostituzione può verificarsi una combinazione di pericoli ed eventi diversi.

- I lavori sull'impianto elettrico possono essere eseguiti unicamente da personale qualificato e debitamente addestrato, nel rispetto della normativa vigente in materia di sicurezza sul lavoro e utilizzando le attrezzature di protezione personale prescritte.

Sostituzione del dispositivo

La riparazione del dispositivo può essere effettuata solo dal costruttore. L'apertura del dispositivo comporta l'annullamento della garanzia.

1. Messa fuori servizio del dispositivo (vedere il capitolo 4.2.5 "Messa fuori servizio").
2. Smontare il dispositivo (vedi capitolo 4.2.7 "Smontaggio").
3. Inviare il dispositivo al costruttore.
4. Installare un nuovo dispositivo come descritto nel presente manuale.
5. Mettere in funzione il sistema come descritto nel presente manuale.

Sostituzione di altri componenti del sistema di azionamento

Se occorre sostituire componenti del sistema di azionamento (ad esempio cavi) procedere come segue:

1. Messa fuori servizio del dispositivo (vedere il capitolo 4.2.5 "Messa fuori servizio").
2. Sostituire i componenti.
3. Verificare che tutti i collegamenti ad innesto siano correttamente in posizione.
4. Mettere in funzione il sistema come descritto nel presente manuale.

4.2.9 Smaltimento

AVVISO

Per il corretto smaltimento del dispositivo rivolgersi ad un ente certificato per il recupero dei rifiuti di apparecchiature elettroniche.

In conformità alle linee guida della direttiva 2012/19/CE (RAEE) e simili, il costruttore accetta la restituzione di vecchi dispositivi ed accessori per uno smaltimento professionale. I costi di trasporto sono a carico del mittente.

Contattare Kollmorgen e chiarire la logistica.

5 Русский

5.1 Безопасность	36
5.1.1 Примите к сведению следующую информацию	36
5.1.2 Предупреждения о продукте	38
5.1.3 Применение по назначению	39
5.1.4 Применение не по назначению	40
5.2 Обработка жизненного цикла продукта	41
5.2.1 Транспортировка	41
5.2.2 Упаковка	41
5.2.3 Хранение на складе	41
5.2.4 Установка, настройка и нормальная работа	42
5.2.5 Вывод из эксплуатации	42
5.2.6 Техническое обслуживание и очистка	42
5.2.7 Демонтаж	42
5.2.8 Ремонт	43
5.2.9 Утилизация	43

5.1 Безопасность

Эта глава поможет Вам распознать и предотвратить опасности..

5.1.1 Примите к сведению следующую информацию

Необходимые специалисты

Квалифицированными специалистами являются лица, знакомые с транспортировкой, установкой, вводом в эксплуатацию и эксплуатацией сервоусилителей.

- Транспортировка, хранение, распаковка: только персонал, умеющий работать с компонентами, чувствительными к электростатическому разряду.
- Механический монтаж: только персонал, профессионально компетентный в области механики.
- Электрический монтаж: только персонал, профессионально компетентный в области электротехники.
- Ввод в эксплуатацию: только специалистами с обширными знаниями в области электротехники и приводной техники

Кроме того, специалисты должны знать и соблюдать стандарты ISO 12100, IEC 60364, IEC 60664, а также национальные правила техники безопасности.

Чтение документации

Перед монтажом и вводом в эксплуатацию прочитайте настоящую документацию. Неправильное обращение с сервоусилителем может стать причиной физического или материального ущерба. Эксплуатирующее предприятие должно проследить за тем, чтобы все лица, допущенные к работам на система привода, прочитали руководство и поняли его содержание, а также должно обеспечить соблюдение указаний по технике безопасности, изложенных в этом руководстве.

Проверка аппаратной части

Проверьте номер версии аппаратного обеспечения (см. заводскую табличку). Этот номер позволяет соотнести вашу систему с руководством, он должен совпадать с номером модели на обложке руководства.

Соблюдение технических данных

Соблюдайте технические данные и указания по условиям подключения (заводская табличка и документация). В случае превышения допустимых значений напряжения или величин тока сервоусилители могут быть повреждены. Неподходящий двигатель или неправильная кабельная разводка может стать причиной повреждения компонентов системы. Проверьте комбинацию привода и двигателя. Сравните номинальное напряжение и ток узлов.

Элементы, чувствительные к электростатическому воздействию

Сервоусилители включают в себя элементы, чувствительные к электростатическому воздействию, которые могут быть повреждены в результате неквалифицированного обращения. Перед прикосновением к сервоусилителю снимите со своего тела электростатический заряд. Избегайте контакта с электростатическими материалами (синтетическое волокно, синтетическая пленка и т.п.). Ставьте сервоусилитель на электропроводящее основание.

Выполнение анализа опасных ситуаций

Изготовитель машины должен выполнить для нее анализ опасных ситуаций и принять соответствующие меры, чтобы непредвиденные движения не могли привести к физическому или материальному ущербу. Анализ опасных ситуаций предъявляет дополнительные требования к специалистам.

Автоматический повторный пуск



Привод может запускаться автоматически в зависимости от настройки параметров после включения сетевого напряжения, после провалов напряжения или других прерываний. Для персонала, работающего с машиной, существует опасность тяжелых или смертельных травм. Если параметр AENA установлен на 1, разместите на машине предупреждающую табличку (Внимание: Автоматический пуск после включения!) и обеспечьте невозможность включения напряжения электросети, пока персонал находится в опасной зоне машины. Если вы используете защиту от пониженного напряжения, обратитесь к главе 7.5 EN 60204-1:2006.

Горячая поверхность



Поверхности сервоусилителей могут сильно нагреваться во время работы. Температура радиатора может превышать 80°C. Опасность легких ожогов. Перед прикосновением проверьте температуру радиатора и подождите, пока она не опустится ниже 40 °C.

Заземление



Обеспечьте надлежащее заземление сервоусилителя РЕ-шиной в электрощкафу, служащей опорным потенциалом. Опасность поражения электрическим током. В отсутствие низкоомного заземления безопасность персонала не гарантируется. Существует опасность для жизни вследствие поражения электрическим током.

Ток утечки

Если ток утечки к защитному заземлению превышает 3,5 мА, то в соответствии с IEC61800-5-1 необходимо дублировать соединение защитного заземления или использовать соединительный кабель сечением >10 мм². В соответствии с региональными стандартами могут быть предприняты меры по отведению тока.

Высокие напряжения



Приборы создают высокое электрическое напряжение (до 900 В). Не открывайте приборы во время эксплуатации и не прикасайтесь к ним. Во время эксплуатации держите все крышки и дверцы распределительных шкафов закрытыми.

Во время эксплуатации незащищенные части сервоусилителей, в соответствии со степенью их защиты, могут находиться под напряжением.

Контакт с деталями привода, находящимися под напряжением, опасен для жизни. Запрещается демонтировать встроенные защитные системы, в частности, изоляцию или экраны. Электромонтажные работы могут выполняться только обученным и квалифицированным персоналом в соответствии с правилами безопасности на рабочем месте и только при выключенном и заблокированном главном выключателе.

Поэтому никогда не отсоединяйте электрические контакты сервоусилителя под напряжением. Существует риск образования электрической дуги, которая опасна возможностью травмирования (ожоги или потеря зрения) и повреждения контактов. После отключения сервоусилителя от питающего напряжения подождите не менее 5 минут, прежде чем прикасаться к токоведущим частям приборов (например, контактам) или отсоединять разъемы.

Для надежности измерьте напряжение шины постоянного тока и подождите, пока напряжение не опустится ниже 50 В.

Функциональной безопасности

Функция безопасного снятия крутящего момента на SERVOSTAR 300 сертифицирована. Пользователь должен выполнить итоговый анализ защитных функций EN13849 или EN 62061.

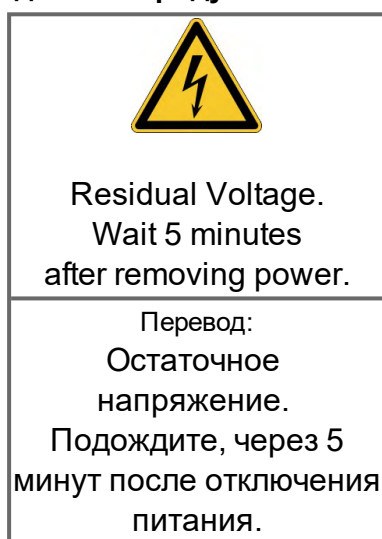
Усиленная изоляция

Установленные в двигателе термодатчики, тормоза и датчики обратной связи в отличие от системных компонентов с силовым питанием должны иметь усиленную изоляцию (согласно EN 61800-5-1), которая соответствует необходимому испытательному напряжению системы.

Запрещается вносить изменения в приборы

Запрещается изменять оборудование сервоусилителя без разрешения производителя. Открытие корпуса вызывает потерю гарантии.

5.1.2 Предупреждения о продукте



УКАЗАНИЕ

Поврежденные знаки должны быть немедленно заменены.

5.1.3 Применение по назначению

- Сервоусилители встраиваются в качестве компонентов в электрические установки или машины и должны вводиться в эксплуатацию только в качестве встроенных компонентов установки.
- При применении сервоусилителей в жилых, офисных и производственных помещениях, а также на малых предприятиях пользователю необходимо принять дополнительные меры фильтрации.

Монтаж и подключение

- Монтировать сервоусилители можно только в закрытом электрошкафу с учетом указанных условий окружающей среды и установочных размеров. Для поддержания температуры в электрошкафу ниже 40 °C может потребоваться система вентиляции или охлаждения.
- Для монтажа электрической схемы используйте только медные кабели. Поперечное сечение жил кабелей определяется согласно стандарту EN 60204 (таблица 310-16 NEC, столбец 60°C или 75°C для поперечных сечений AWG).

Электропитание

- Сервоусилители серии S300 можно подключать непосредственно к трехфазным заземленным промышленным сетям (сеть TN, сеть TT с заземленной нулевой точкой, симметричный номинальный ток макс. 42 кА при 110-10%...230 В +10% или 208-10%...480 В +10% в зависимости от типа). Указания по подключению к другим сетям (с дополнительным разделительным трансформатором) смотри руководство по эксплуатации.
- Периодические повышенные напряжения между жилами внешних кабелей (L1, L2, L3) и корпусом сервоусилителя не должны превышать 1000 В (амплитуда). Согласно EN 61800 пики напряжения (< 50 мкс) между жилами внешних кабелей не должны превышать 1000 В. Пики напряжения (< 50 мкс) между жилами внешних кабелей и корпусом не должны превышать 2000 В.

Двигатели

- Сервоусилители данного семейства предназначены исключительно для электропривода соответствующих бесщеточных синхронных серводвигателей и асинхронных двигателей с регулированием вращающего момента, частоты вращения и/или положения. Номинальное напряжение двигателей должно быть выше или как минимум равно величине обеспечиваемого сервоусилителем напряжения звена постоянного тока,

Функциональная безопасность

- При использовании защитной функции STO соблюдайте специальные правила применения по назначению.

5.1.4 Применение не по назначению

Использование, отличное от описанного в главе "Применение по назначению", является использованием не по назначению и может привести к физическому или материальному ущербу.

Сервоусилитель нельзя использовать с машинами, которые не соответствуют действующим национальным правилам или стандартам. Также запрещается использование сервоусилителя в следующих условиях:

- Взрывоопасные зоны или внешняя среда с едкими и/или электропроводящими кислотами, щелочами, маслами, парами, пылью
- В непосредственной близости к незаземленным или несимметрично заземленным сетям с $U_N > 230$ В
- На кораблях или установках в открытом море

S300 не должен самостоятельно управлять стояночными тормозами в приводных системах, где такой тормоз обеспечивает функциональную безопасность.

5.2 Обработка жизненного цикла продукта

5.2.1 Транспортировка

Транспортировка осуществляется согласно EN 61800-2 следующим образом:

- Транспортировка осуществляется только в перерабатываемой оригинальной упаковке и только квалифицированным персоналом
- Избегайте сильных толчков
- Температура при транспортировке: $-25...+70^{\circ}\text{C}$, макс. колебание 20 градусов в час, класс 2К3 в соотв. с EN61800-2, EN60721-3-1
- Влажность воздуха при транспортировке: относительная влажность до 95 % без конденсации, класс 2К3 в соотв. с EN61800-2, EN60721-3-1
- В случае поврежденной упаковки проверьте устройство на наличие видимых повреждений. Проинформируйте транспортную фирму и, при необходимости, изготовителя.

УКАЗАНИЕ

Сервоусилители включают в себя элементы, чувствительные к электростатическому воздействию, которые могут быть повреждены в результате неквалифицированного обращения. Перед непосредственным прикосновением к сервоусилителю снимите со своего тела электростатический заряд. Избегайте контакта с сильноизолирующими материалами (синтетическое волокно, синтетическая пленка и т.п.). Ставьте сервоусилитель на электропроводящее основание.

5.2.2 Упаковка

Перерабатываемая картонная коробка с прокладками

- Размеры: (ВхШхГ) 115x365x275mm
- Идентификация: Заводская табличка прибора снаружи на коробке

5.2.3 Хранение на складе

Хранение осуществляется согласно EN 61800-2 следующим образом:

- Хранение на складе только в оригинальной упаковке изготовителя
- Макс. высота штабеля 8 коробок
- Температура хранения $-25...+55^{\circ}\text{C}$, макс. колебание 20 градусов в час, класс 1К4 в соотв. с EN61800-2, EN60721-3-1
- Влажность воздуха относительная влажность 5...95 % без конденсации, класс 1К3 в соотв. с EN61800-2, EN60721-3-1
- Длительность хранения на складе менее 1 года без ограничений
Длительность хранения на складе более 1 года: перед вводом сервоусилителя в эксплуатацию конденсаторы должны быть заряжены заново. Отсоедините все электрические соединения. В течение приблизительно 30 минут подавайте на сервоусилитель питающее однофазное напряжение макс. 230 В пер. тока на клеммы L1 / L2.

5.2.4 Установка, настройка и нормальная работа

Информация об установке и настройке приведена в руководстве по установке.

Обычная работа протестирована для экологического класса ЗКЗ в соответствии с EN 61800-2. Производитель машины определяет необходимый опыт конечного пользователя в соответствии с оценкой риска для машины и описывает требования к нормальной работе в зависимости от приложения.

5.2.5 Вывод из эксплуатации

УКАЗАНИЕ

К выводу частей системы привода из эксплуатации допускаются только квалифицированные сотрудники, специализирующиеся в области электротехники.

ОПАСНО: Смертельное напряжение! Существует риск серьезной травмы или смерти от поражения электрическим током или электрической дуги.

- Выключите главный выключатель электрошкафа.
- Заблокируйте систему от повторного включения.
- Заблокируйте главный выключатель.
- После отключения сервоусилителя от питающего напряжения подождите не менее 5 минут.

5.2.6 Техническое обслуживание и очистка

Сервоусилители не требуют техобслуживания. В случае вскрытия устройства гарантия теряет силу. Чистка прибора внутри может выполняться только изготовителем.

УКАЗАНИЕ

Не погружайте сервоусилитель в жидкость и не опрыскивайте его. Не допускайте попадания жидкости в устройство.

Чистка сервоусилителя снаружи выполняется так:

1. Вывод устройства из эксплуатации (см. главу 5.2.5 "Вывод из эксплуатации").
2. Корпус: очистка изопропанолом или аналогичным средством.

ОСТОРОЖНО: Легко воспламеняется! Опасность получения травмы от взрыва и пожара.

- Соблюдайте указания на упаковке чистящего средства по его безопасному использованию.
 - Ввод в эксплуатацию не ранее, чем через 30 минут после уборки.
3. Защитная решетка вентилятора: очистка сухой кисточкой.

5.2.7 Демонтаж

УКАЗАНИЕ

Замену компонентов системы должны выполнять только специалисты электрики.

1. Вывод устройства из эксплуатации (см. главу 5.2.5 "Вывод из эксплуатации").
2. Проверьте температуру.

ОСТОРОЖНО: Высокая температура! Опасность легких ожогов. Во время работы температура радиатора может превышать 80 °C. Перед прикосновением проверьте темпер. радиатора и подождите, пока она не опустится ниже 40 °C.

3. Отсоедините все штекерные разъемы. Последним отсоедините провод заземления.
4. Демонтаж: Выверните крепёжные винты и демонтируйте устройство.

5.2.8 Ремонт

УКАЗАНИЕ

Замену компонентов системы должны выполнять только специалисты электрики.

ОПАСНО: Автоматический пуск! Во время работ по замене возможны комбинированные и неоднократные опасные ситуации.

- Электромонтажные работы могут выполняться только обученным и квалифицированным персоналом в соответствии с правилами безопасности на рабочем месте и только при условии использования предписанных средств индивидуальной защиты.

Устройство Замена

Ремонт блока может только изготовитель. Вскрытие устройства означает потерю гарантии.

1. Вывод устройства из эксплуатации (см. главу 5.2.5 "Вывод из эксплуатации").
2. Демонтаж (Смотрите раздел 5.2.7 "Демонтаж").
3. Отправьте устройство изготовителю.
4. Установите новое устройство, как описано в этом руководстве.
5. Введите систему в эксплуатацию, как описано в этом руководстве.

Замена прочих деталей приводной системы

Если детали приводной системы (например кабели) нуждаются в замене, действуйте следующим образом:

1. Вывод устройства из эксплуатации (см. главу 5.2.5 "Вывод из эксплуатации").
2. Замените детали.
3. Проверьте все штекерные разъёмы на правильность подсоединения.
4. Введите систему в эксплуатацию, как описано в этом руководстве.

5.2.9 Утилизация

УКАЗАНИЕ

Для надлежащей утилизации устройства обращайтесь в сертифицированную фирму по утилизации электронного лома.

Согласно директивам WEEE-2012/19/EG и аналогичным изготовитель принимает старое оборудование для надлежащей утилизации. Транспортные расходы несет отправитель.

Контакты Kollmorgen и уточнить логистики.

6 Approvals

6.1 Conformance with UL/cUL

This servo amplifier is listed under UL file number **E217428**.

UL (cUL)-certified servo amplifiers (Underwriters Laboratories Inc.) fulfil the relevant U.S. and Canadian standard (in this case UL 840 and UL 508C).

This standard describes the fulfillment by design of minimum requirements for electrically operated power conversion equipment, such as frequency converters and servo amplifiers, which is intended to eliminate the risk of fire, electric shock, or injury to persons, being caused by such equipment. The technical conformance with the U.S. and Canadian standard is determined by an independent UL (cUL) inspector through the type testing and regular check-ups.

Apart from the notes on installation and safety in the documentation, the customer does not have to observe any other points in direct connection with the UL (cUL)-certification of the equipment.

UL 508C: UL 508C describes the fulfillment by design of minimum requirements for electrically operated power conversion equipment, such as frequency converters and servo amplifiers, which is intended to eliminate the risk of fire being caused by such equipment.

UL 840: UL 840 describes the fulfillment by design of air and insulation creepage spacings for electrical equipment and printed circuit boards.

Markings	Marquages
<ul style="list-style-type: none"> • Use 60°C or 75°C copper wire only. • Use Class 1 wire only. • Tightening torque for field wiring terminals. X0, X8, X9: 0.5 - 0.6Nm (4.43 to 5.31 lbf in). • Use in a pollution degree 2 environment. • These devices provide solid state motor overload protection at 130% of full load current. • Integral solid state short circuit protection does not provide branch circuit protection. Branch circuit protection must be provided in accordance with the National Electrical Code and any additional local codes. • These devices are not provided with motor over-temperature sensing. • Suitable for use on a circuit capable of delivering not more than 42kA rms symmetrical amperes for a max. voltage of 480 Vac. • The drives may be connected together via the “common bus” (DC bus link) based on the instructions given in the <i>Instructions Manual</i>. The devices may also be grouped from the AC input side based on the max. input fuse (e.g. 3xS346 with one common 6A fuse in line). 	<ul style="list-style-type: none"> • Utilisez un fil en cuivre 60°C ou 75 °C min.. • Utilisez seulement un fil de classe 1. • Couples de serrage recommandée X0, X8, X9: 0.5 - 0.6Nm (4.43 to 5.31 lbf in). • Utilisation dans un environnement de pollution de niveau 2. • Ces variateurs offrent une protection contre les surcharges de moteur à semi-conducteur à 130 % du courant FLA nominal. • Une protection de court-circuit à semi-conducteur intégrale ne fournit pas de protection de la dérivation. Il convient de garantir une protection de la dérivation conforme au NEC (National Electrical Code) et aux réglementations locales en vigueur, ou aux directives équivalentes applicables. • Ces variateurs n'offrent pas de capteurs de température excessive. • Ce produit est conçu pour une utilisation sur un circuit capable de fournir 42 000 ampères symétriques (rms) maximum pour 480V. • Les variateurs peuvent être reliés entre eux via le “bus commun CC” sur la base des instructions du <i>Manuel d'Instructions</i>. Les variateurs peuvent être groupés d'entrée AC basé sur le max. fusible d'entrée (par exemple 3xS346 avec un fusible de 6A commune).

6.2 Conformance with CE

NOTE

CE Declarations of Conformity can be found on the Kollmorgen website.

The servo amplifiers have been tested by an authorized testing laboratory in a defined configuration, using the system components that are described in this documentation. Any divergence from the configuration and installation described in this documentation means that you will be responsible for carrying out new measurements to ensure conformance with regulatory requirements.

Kollmorgen declares the conformity of the products SERVOSTAR 300 (S300) with the following directives

- EC Machinery Directive 2006/42/EU
- EC EMC Directive 2014/30/EU
- EC Low Voltage Directive 2014/35/EU
- EC RoHS Directive 2011/65/EU with delegated directive 2015/863/EU

Concerning noise immunity the servo amplifier meets the requirements to the 2nd environmental category (industrial environment). For noise emission the amplifier meets the requirement to a product of the category C2 (motor cable up to 10 m). With a motor cable length from 10 m onwards, the servo amplifier meets the requirement to the category C3.

NOTE

This product can cause high-frequency interferences in non industrial environments which can require measures for interference suppression.

Functional Safety Conformance (STO) according to EC Machinery Directive

The S300 servo amplifier offers a single channel STO function (Safe Torque Off) that can be used as a functional safe restart lock.

The safety concept is certified. The safety circuit concept for realizing the safety function "Safe Torque Off" in the servo amplifiers S300 is suited for SIL CL 2 according to IEC 62061 and PLd according to ISO 13849-1.

The subsystems (servo amplifiers) are totally described for safety technics with the characteristic data SIL CL, PFHD and TM.

Device	Operation mode	EN 13849-1	EN 62061	PFHD [1/h]	TM [Year]
STO-Enable	single channel	PLd	SIL CL 2	1.50E-07	20

6.3 Conformance with REACH

EU Regulation no. 1907/2006 deals with the registration, evaluation, authorization and restriction of chemical substances 1 (abbreviated to "REACH").

The device does not contain any substances (CMR substances, PBT substances, vPvB substances and similar hazardous substances stipulated in individual cases based on scientific criteria) above 0.1 mass percent per product that are included on the candidate list.

6.4 Conformance with EAC

EAC is the abbreviation for Eurasian Conformity. The mark is used in the states of the Eurasian Customs Union (Russia, Belarus, Kazakhstan) similar to the European CE mark.

Kollmorgen declares, that the device has passed all required conformity procedures in a member state of the Eurasian Customs Union, and that the device meets all technical requirements requested in the member states of the Eurasian Customs Union:

- Low voltage (TP TC 020/2011)
- Electromagnetic Compatibility (TP TC 004/2011)

Contact: SERVOSTAR LLC. , Bld.1, Semyonovskaya nab. 2/1, RU-105094 Moskau

7 Package Supplied

When you order a SERVOSTAR 300 series amplifier, you will receive:

- S3xx
- Mating connectors X0, X3, X4, X8
- Mating Connector X9 (with SERVOSTAR 303-310 only) (S3xx6)
- S300 Safety Notes printed
- All documentation in PDF format on CD-ROM
- Setup software DRIVE.EXE on CD-ROM

NOTE

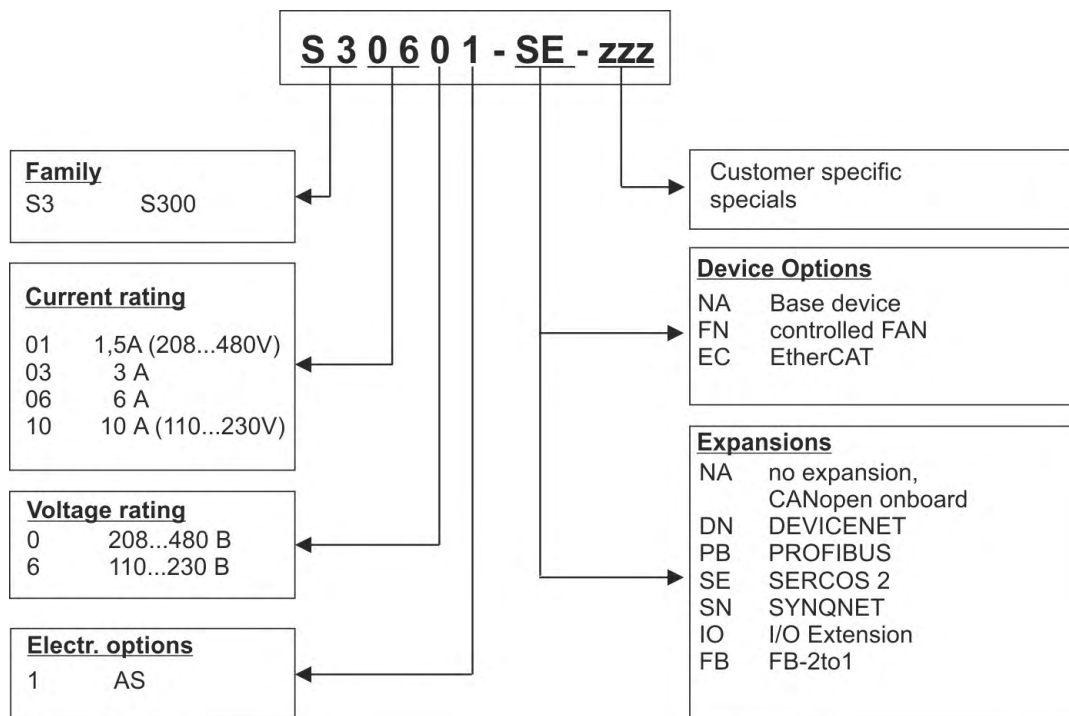
The mating SubD connectors are not part of the package!

Accessories: (must be ordered separately; description see accessories manual)

- Motor choke 3YL required for cable length above 25m
- Motor cable and feedback cable
- External brake resistor
- Communications cable to the PC or Y-adapter for setting parameters of up to 6 servo amplifiers from one PC
- AC synchronous servomotor (linear or rotary), see specific motor manual

Part Number Scheme

Use the part number scheme for product identification only, not for the order process, because not all combinations of features are possible, always.



NOTE

Expansions and device options cannot be combined.

-- / --

Service

We are committed to quality customer service. In order to serve in the most effective way, please contact your local sales representative for assistance.

If you are unaware of your local sales representative, please contact the Customer Support.



Join the [Kollmorgen Developer Network](#) for product support. Ask the community questions, search the knowledge base for answers, get downloads, and suggest improvements.



Europe

KOLLMORGEN

Internet: www.kollmorgen.com/en-us

E-Mail: technik@kollmorgen.com

Tel.: +49 - 2102 - 9394 - 0

Fax: +49 - 2102 - 9394 - 3155



North America

KOLLMORGEN

Internet: www.kollmorgen.com/en-us

E-Mail: support@kollmorgen.com

Tel.: +1 - 540 - 633 - 3545

Fax: +1 - 540 - 639 - 4162



South America

KOLLMORGEN

Internet: www.kollmorgen.com/pt-br

E-Mail: contato@kollmorgen.com

Tel.: +55 - 11 - 4615-6300



Asia

KOLLMORGEN

Internet: www.kollmorgen.cn

E-Mail: sales.china@kollmorgen.com

Tel: +86 - 400 668 2802

Fax: +86 - 21 6248 5367

