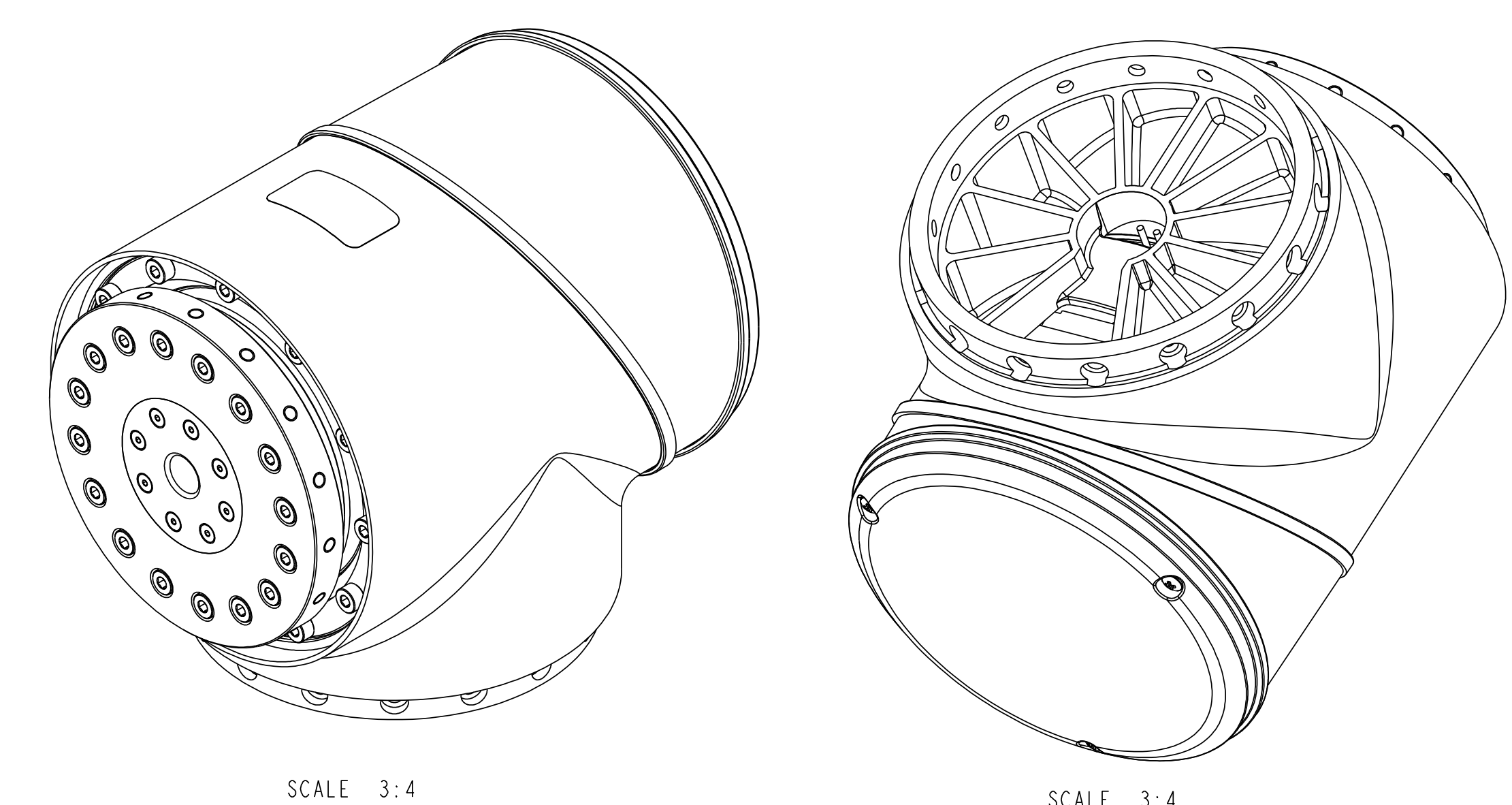
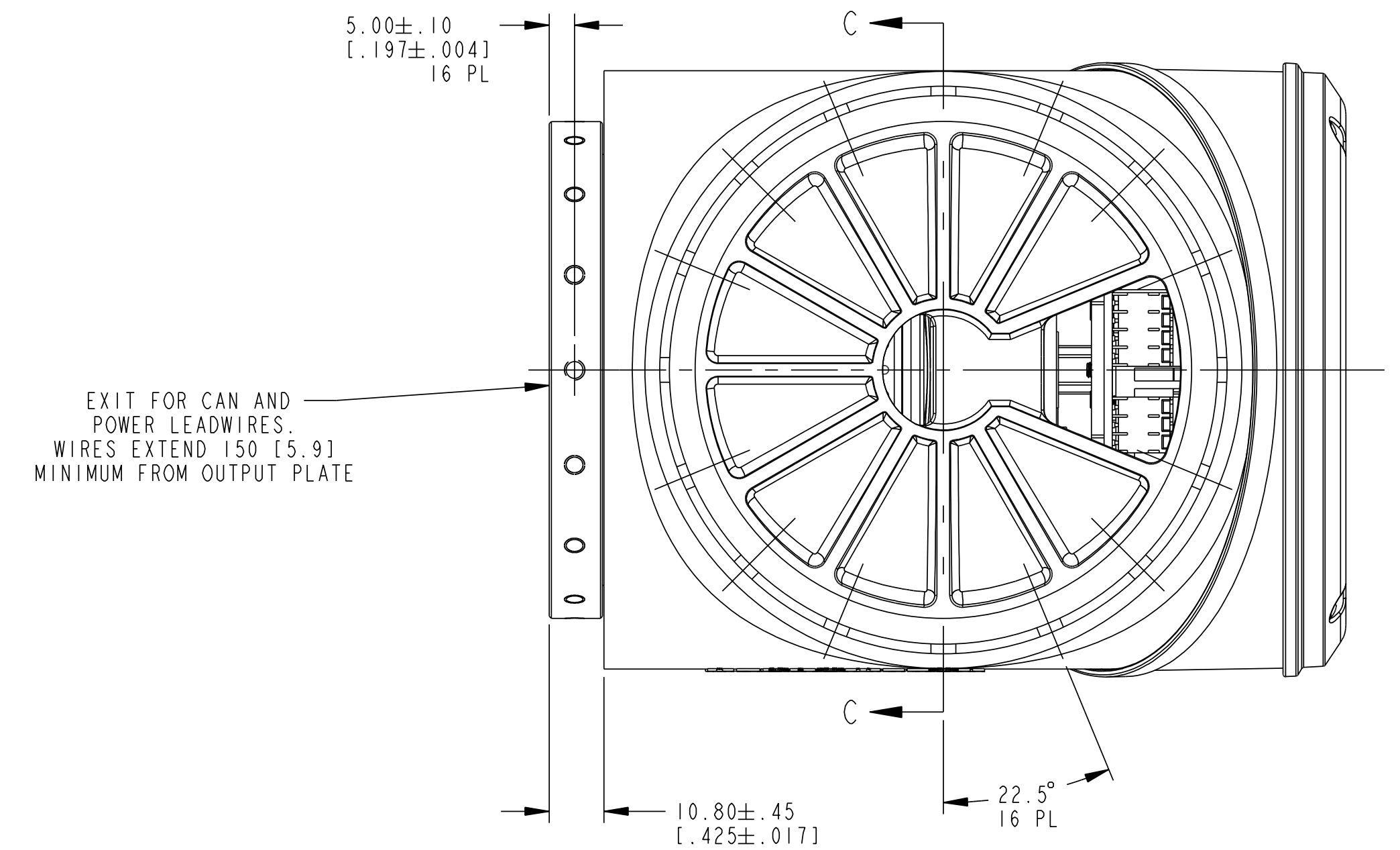
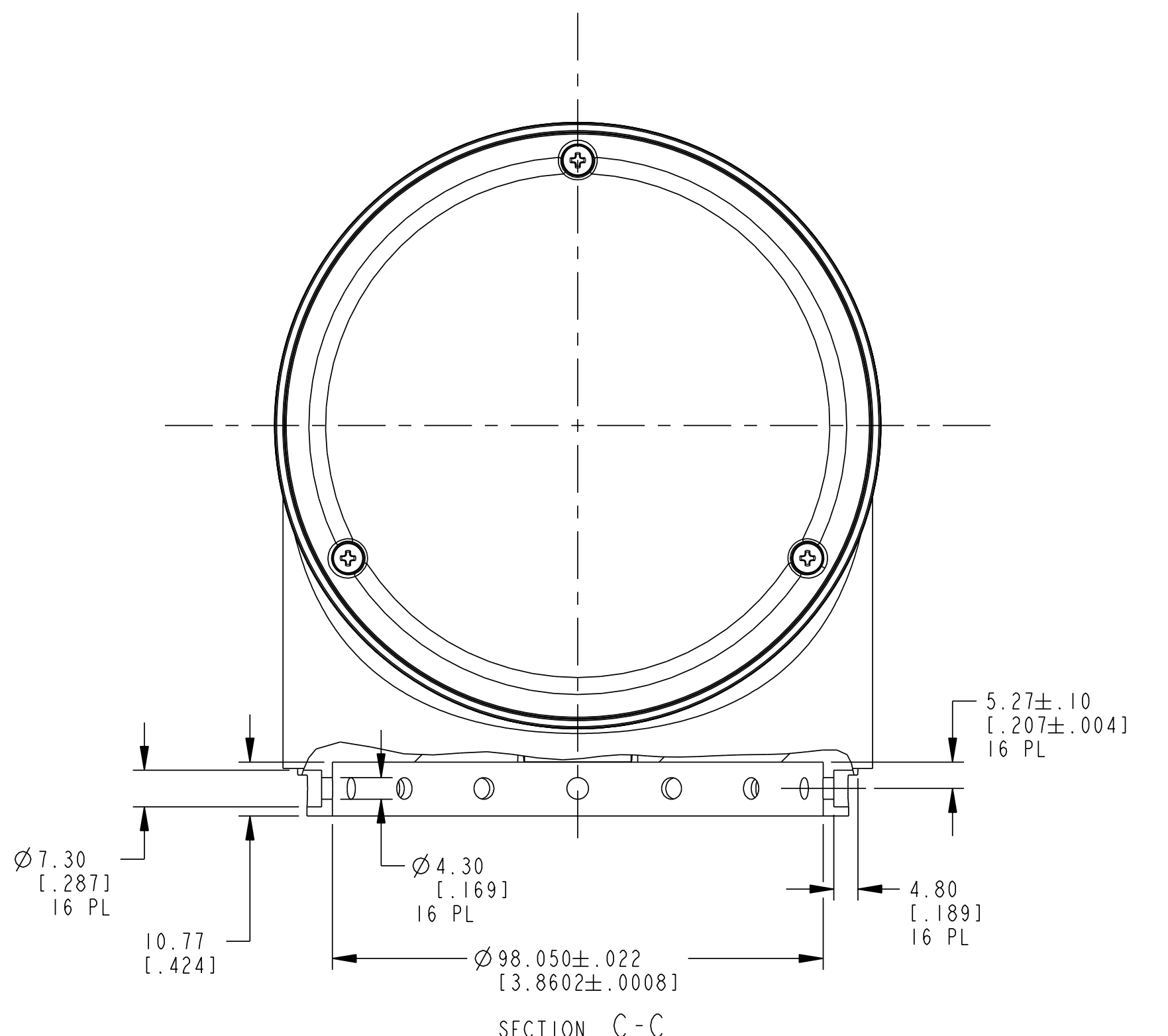
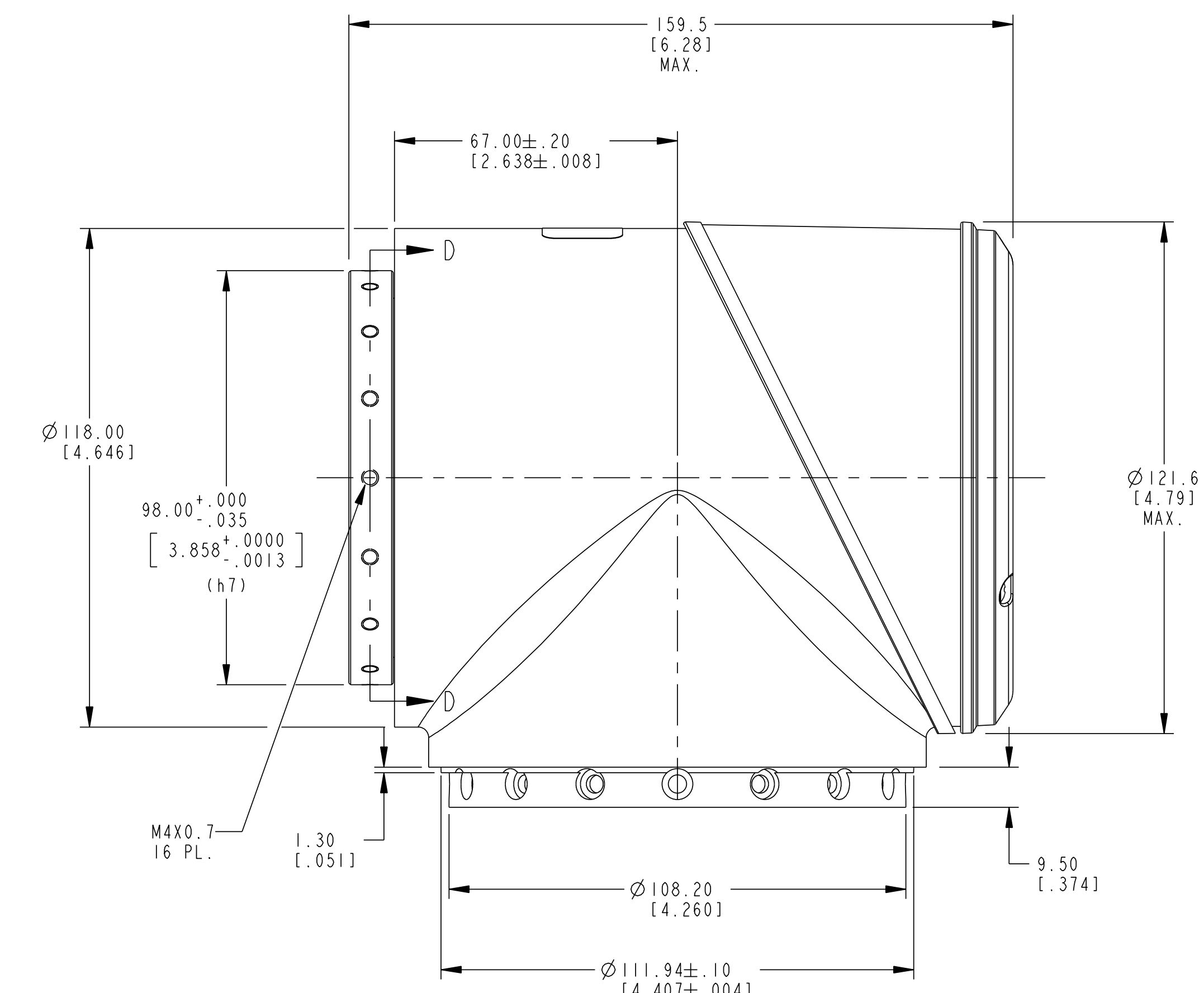
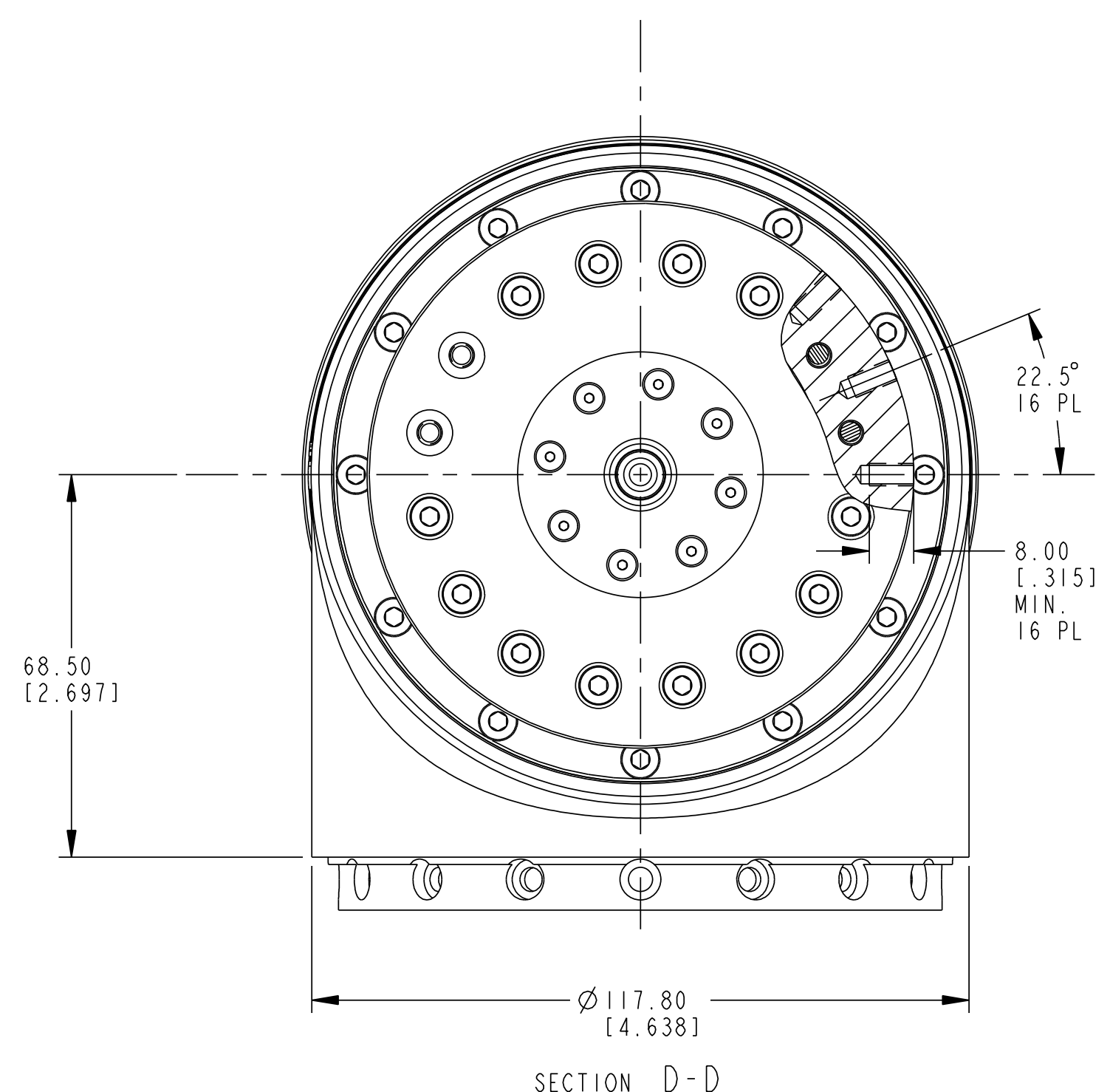


REVISION HISTORY

| REV | ECO NUMBER | DESCRIPTION | DATE | APP'D |
|-----|------------|-----------------------|----------|-------|
| A | R03_98960 | CORRECTED THD CALLOUT | 08/01/18 | BW |
| B | R03_99598 | SEE ECO | 04/15/19 | BW |
| C | R03_99639 | CORRECTED CONNECTORS | 04/17/19 | BW |

- NOTES:
- SIZE 25 PITCH HARMONIC GEAR WITH 101:1 RATIO
 - THE FOLLOWING PARTS (SOLD AS SEPARATE KIT) ARE REQUIRED FOR CONNECTION TO ANOTHER JOINT OF THE SAME SIZE TO ENSURE IP RATING:
(1) PLASTIC SEAL RING
(1) RUBBER SEAL BAND
(16) M4X0.7 X 10MM LONG SOCKET HEAD CAP SCREWS
 - TORQUE M4 SCREWS IN OUTPUT PLATE TO 4.3Nm [38 IN-LB] AND USE REMOVABLE THREADLOCKER ON SCREWS.
 - CAN CONNECTOR: TE CONNECTIVITY 5-292271-2
 - POWER FERRULES: PHOENIX 3201592
 - SEE RGM USER MANUAL FOR ELECTRICAL CONNECTIONS.



| | |
|---|----------------|
| This drawing contains PROPRIETARY information and is the property of KOLLMORGEN. This drawing may not be copied or used without prior written approval of KOLLMORGEN. | |
| INTERPRET GEOMETRIC SYMBOLS PER ANSI Y14.5M-1994 | |
| Pro/E Model File Rev | PO |
| Pro/E Instance Name | RGM25_MAIN_CAN |
| Pro/E Drawing Name | 969652 |
| Pro/E Model Type | ASSEM |
| Pro/Engineer Drawing | |

| | | |
|------------------------------------|--|---|
| SIGNIFICANT PRODUCT CHARACTERISTIC | UNLESS OTHERWISE SPECIFIED: DIMENSIONS APPLY BEFORE COATINGS REMOVE ALL SHARP BURRS AND BREAK ALL SHARP EDGES | KOLLMORGEN Design Control Location: 201 West Rock Road Radford, Virginia 24141 United States of America |
| | MILLIMETER VALUES: ANGULAR TOLERANCE: ±1° X DEC. PLACE: ±.4mm XX DEC. PLACE: ±.13mm | |
| CRITICAL PRODUCT CHARACTERISTIC | INCH VALUES: ANGULAR TOLERANCE: ±1° XX DEC. PLACE: ±.015° XXX DEC. PLACE: ±.005° | OUTLINE - C RGM25 (CANOPEN) |
| THIRD ANGLE PROJECTION | DO NOT SCALE DRAWING USE DIMENSIONS ONLY ALL DIMENSIONS ARE MM (INCH) INCH DIMENSIONS IN BRACKETS () ARE FOR REFERENCE ONLY | SIZE D CAGE CODE - DWG. NO. 969652 REV C |
| | APPROVED BY: DATE: 05-23-18 | SCALE: 1:1 SHEET 1 OF 1 |