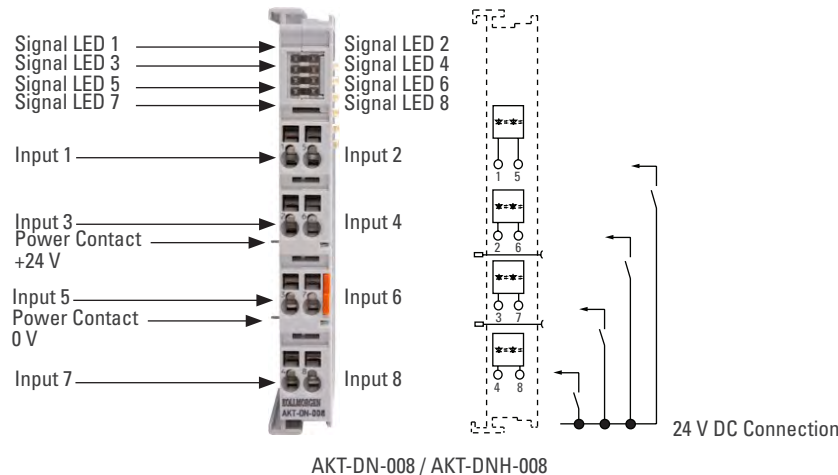


8-Channel Digital Inputs - 24 V DC

The 8-channel digital input terminals (positive switching) acquire the binary control signals from the process level and transmit them, in an electrically isolated form, to the higher-level automation unit. The Bus Terminals contain eight channels which indicate their signal state by means of light emitting diodes. They are particularly suitable for space-saving use in control cabinets. By using the single-ended connection technique, a multi-channel sensor can be connected in the smallest space with a minimum amount of wiring. The power contacts are looped through. For the Bus Terminals, the reference ground for all inputs is the 0 V power contact.



Electrical and Mechanical Specification	AKT-DN-008-000	AKT-DNH-008-000
Number of inputs	8	
Nominal Voltage	24 V DC (-15 % / + 20 %)	
"0" signal voltage	-3 V ... +5 V (IEC 61131-2, type 1/3)	
"1" signal voltage	11 ... 30 V (IEC 61131-2, type 3)	
"0" signal current	0...1.5 mA	
"1" signal current	2.0...2.5 mA	
Input filter	3.0 ms	0.2 ms
Current consumption standard-bus	Typ. 5 mA	
Electrical isolation	500 V _{rms} (standard-bus / field potential)	
Bit width in the process image	8 inputs	
Configuration	No address or configuration settings	
Weight	55 g	
Operating/storage temperature	0 C ... +55 °C / -25 °C... +85 °C	
Relative humidity	95 %, no condensation	
Vibration/shock resistance	Conforms to EN 60068-2-6 / EN 60068-2-27/ 29	
EMC immunity/emission	Conforms to EN 61000-6-2 / EN 61000-6-4	
Protect. class/installation pos.	IP 20 / variable	
Pluggable wiring	For all Bus Terminals	

203A West Rock Road • Radford, VA 24141 USA • Phone: 1-540-633-3545