

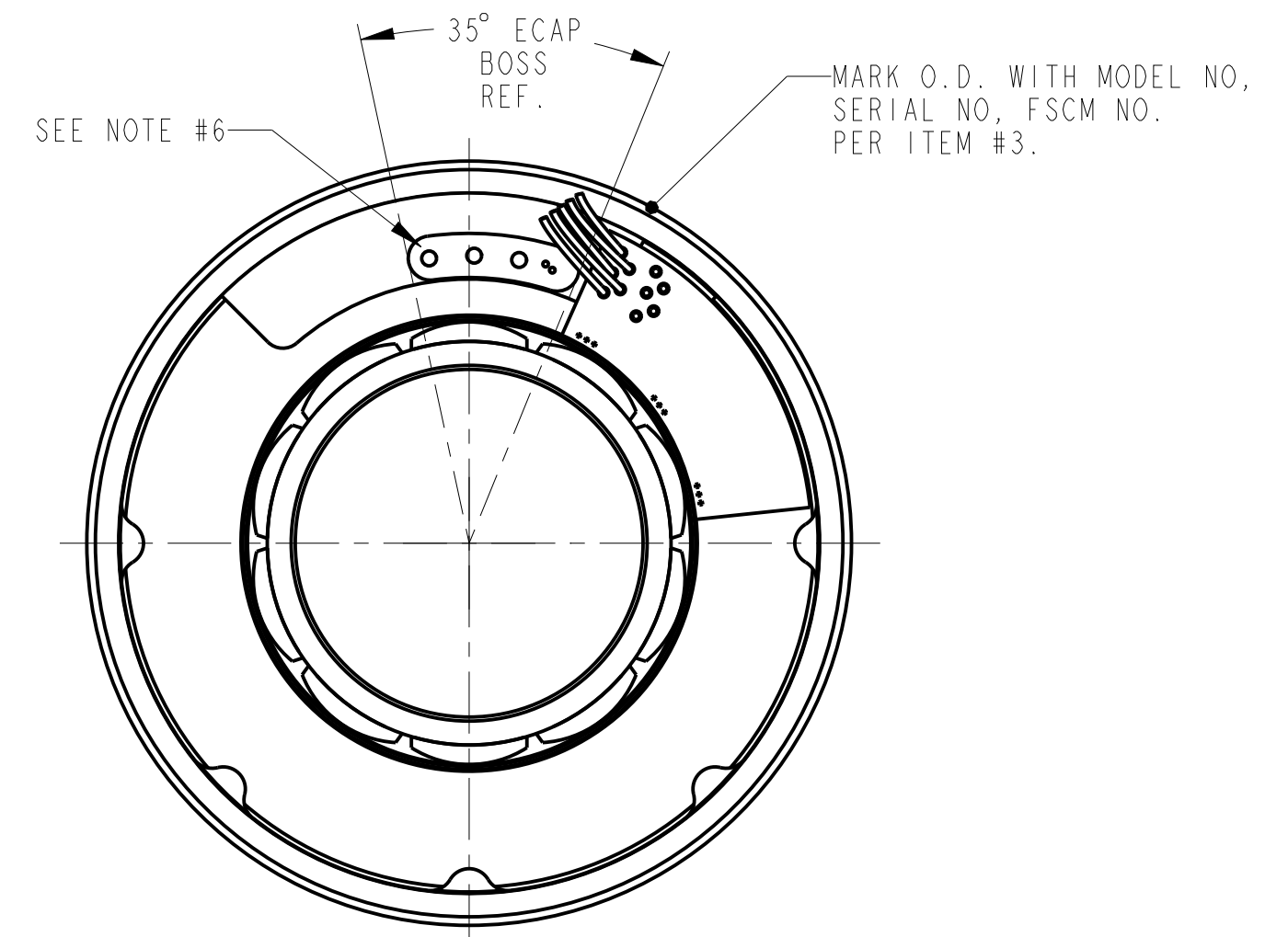
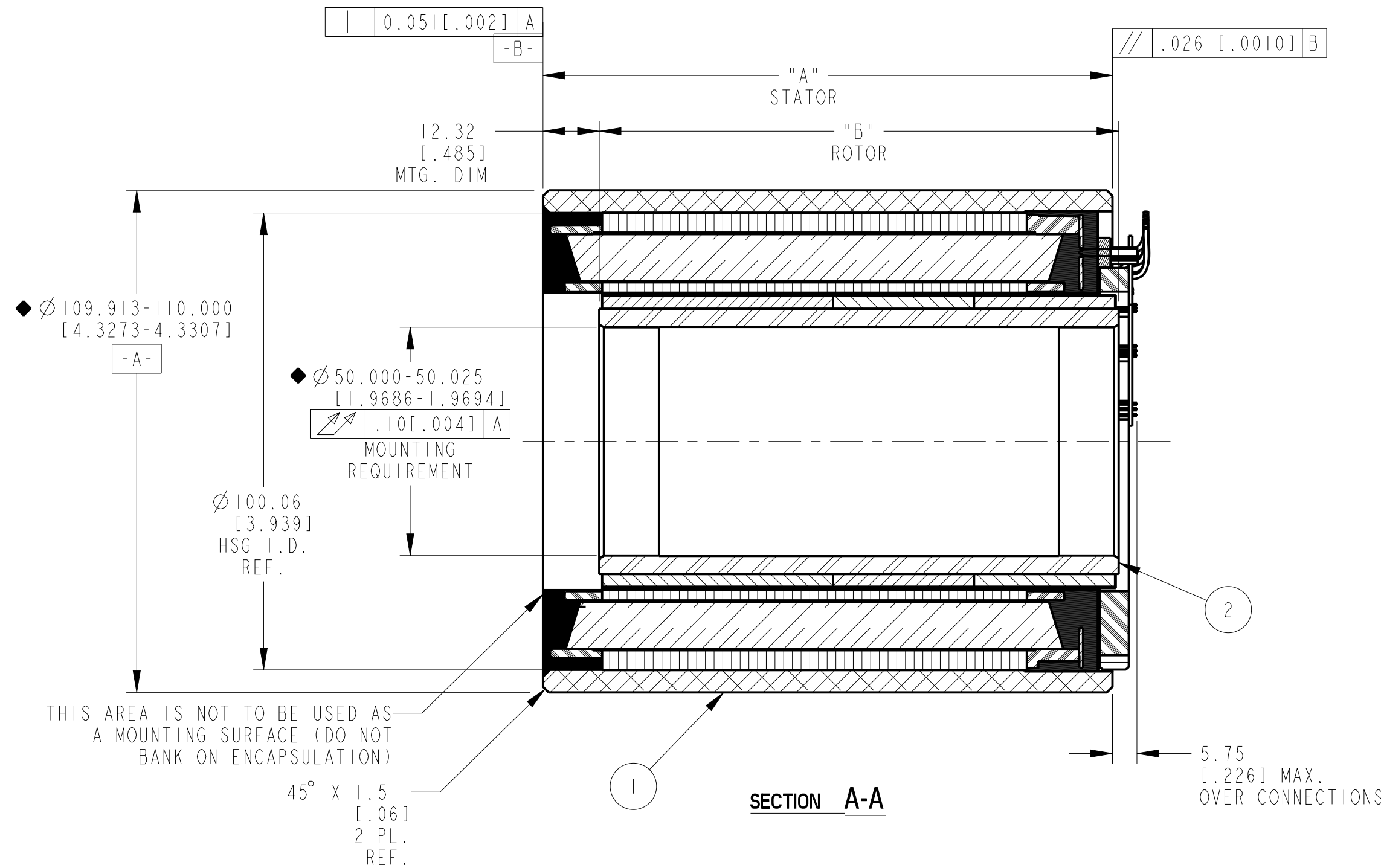
- NOTES:
- 1- MOTOR SUPPLIED AS TWO SEPERATE COMPONENTS, STATOR & SENSOR ASSEMBLY AND FIELD ASSEMBLY.
  - 2- FOR A C.C.W. ROTATION, AS VIEWED FROM LEAD END, ENERGIZE PER EXCITATION SEQUENCE TABLE.
  - 3- R= 1.5K OHMS APPROX. (CUSTOMER SUPPLIED)
  - 4- EMF-UV, EMF-VW AND EMF-WU IS BACK EMF OF MOTOR PHASES UV, VW, AND WU RESPECTIVELY, ALIGNED WITH SENSOR OUTPUT AS SHOWN FOR C.C.W. ROTATION ONLY.
  - 5- SENSORS SET FOR BI-DIRECTIONAL ROTATION.
  - 6- RECOMMENDED MIN. LEAD BEND RADII = 5 X LEAD O.D. FOR NON-FLEXING APPLICATIONS. CONSULT IPC/WHMA-A-620 FOR ADDITIONAL RECOMMENDATIONS.
  - 7- ROHS AND REACH COMPLIANCE REQUIRED IN ACCORDANCE WITH KOLLMORGEN PRODUCT ENVIRONMENTAL COMPLIANCE SPECIFICATION, 960303, IN ITS LATEST REVISION.

SENSOR LEADS:  
 #26 AWG TEFLON COATED PER MIL-W-22759/11, 400.00 [15.75"] MIN. LG. EACH 1-BLUE, 1-ORANGE, 1-BROWN, 1-GREEN, 1-YELLOW

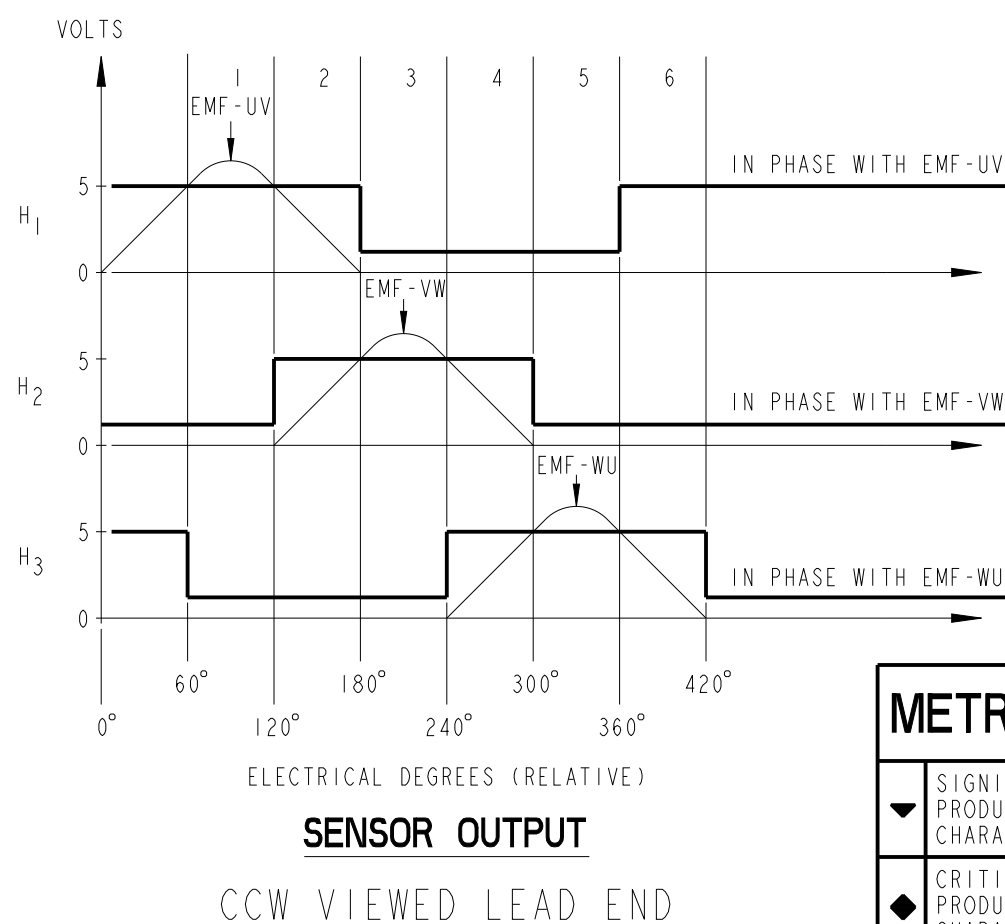
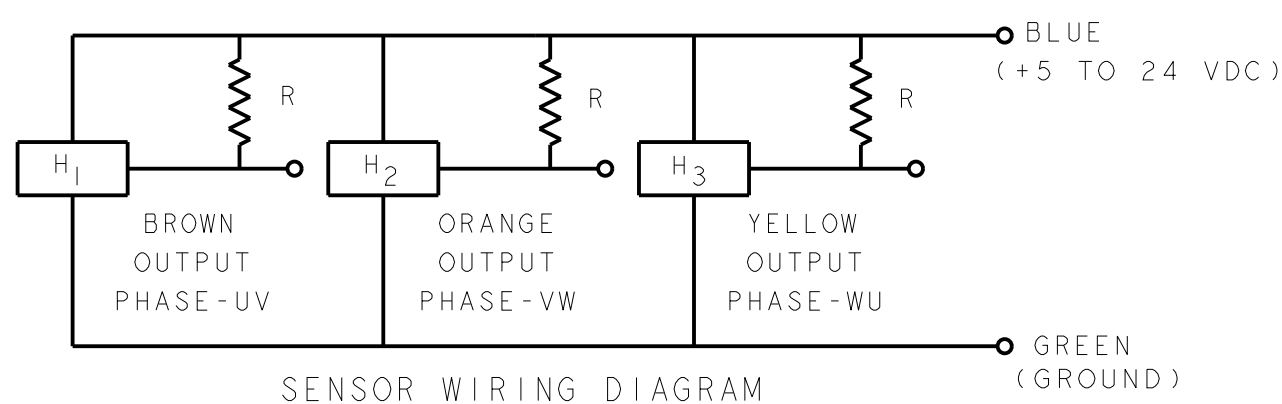
MOTOR LEADS:  
 #14 AWG TEFLON COATED PER UL 10086, 400.00 [15.75"] MIN. LG. EACH 1-BLUE, 1-BROWN, 1-VIOLET

THERMISTOR LEADS:  
 #26 AWG TEFLON COATED UL RATED 600V, 150°C MIN, 400.00 [15.75"] MIN. LG. EACH 1-BLUE, 1-BLACK

REVISION					
REV	ECN NO.	DESCRIPTION	DATE	APPROVED	
A	R01_14145	SEE ECO	L&T	20-Jan-11	LW
B	R01_14654	SEE ECO	L&T	21-SEP-11	LW
C	R01_14824	SEE ECO	M.STONE	1-4-12	LW
D	R01_15266	SEE ECO	KLR	1/17/13	LW
E	R01_15601	SEE ECO	ALM	8/12/13	KLR
F	R01_17444	SEE ECO	ALM	4/11/16	LW



MODEL NUMBER	HIGH VOLTAGE STATOR	LOW VOLTAGE STATOR	FIELD ASSEMBLY	"A" DIM	"B" DIM
KBMS-25X01	945874/01X	955001/01X	964834/01	62.70 [2.469]	51.97 [2.046]
KBMS-25X02	945874/02X	955001/02X	964834/02	93.70 [3.689]	82.86 [3.262]
KBMS-25X03	945874/03X	955001/03X	964834/03	124.70 [4.909]	113.74 [4.478]
KBMS-25X04	945874/04X	955001/04X	964834/04	155.70 [6.130]	144.63 [5.694]



STEP	PHASE "U" BLUE	PHASE "V" BROWN	PHASE "W" VIOLET
1	(+)	(-)	(-)
2	(+)	(-)	(+)
3	(-)	(+)	(-)
4	(-)	(+)	(+)
5	(-)	(-)	(+)
6	(+)	(-)	(+)

THIS DOCUMENT IS ONLY FOR USE BY THE INTENDED RECIPIENT AND CONTAINS KOLLMORGEN CONFIDENTIAL INFORMATION

Pro/E Instance Name	KBMS_25XXX_945875
Pro/E Drawing Name	945875
Pro/E Model Type	ASSEM

Pro/Engineer Drawing

METRIC DRAWING

<p>DO NOT SCALE DRAWING. USE DIMENSIONS ONLY. ALL DIMENSIONS ARE IN MILLIMETERS. DIMENSIONS IN BRACKETS [ ] ARE IN INCHES AND ARE FOR REFERENCE ONLY.</p> <p>INTERPRET GEOMETRIC SYMBOLS PER ANSI Y14.5M-1982</p>	<p>DRW BY: L&amp;T</p> <p>CHECKED BY: LW</p> <p>APPROVED BY: AG</p>	<p>DATE: 09-Apr-09</p> <p>DATE: 17-Sep-09</p> <p>DATE: 17-Sep-09</p>
-------------------------------------------------------------------------------------------------------------------------------------------------------------------------------------------------------------------	---------------------------------------------------------------------	----------------------------------------------------------------------

3	AR	IM-2709	MARKING PROCEDURE
2	I	SEE TABLE	FIELD ASSEMBLY
1	I	SEE TABLE	STATOR & SENSOR ASSEMBLY
ITEM	QTY	IDENTIFYING NO.	DESCRIPTION
LIST OF PARTS			
KOLLMORGEN			501 MAIN STREET RADFORD, VIRGINIA 24141
OUTLINE AND ASSEMBLY KBMS-25XXX-X00			
FSCM 11384		SIZE C	DWG. NO. 945875
SCALE: 1:1		JOB NO.:	SHEET 1 OF 1