

4

3

2

1

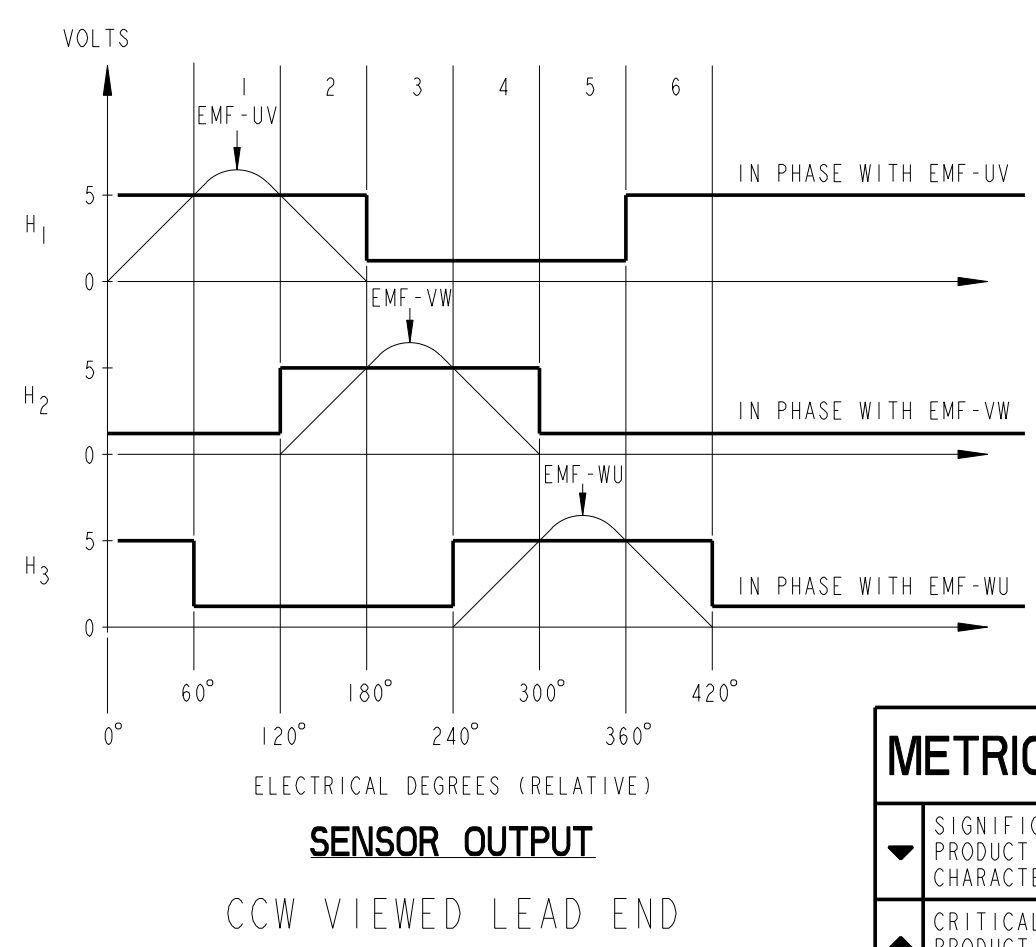
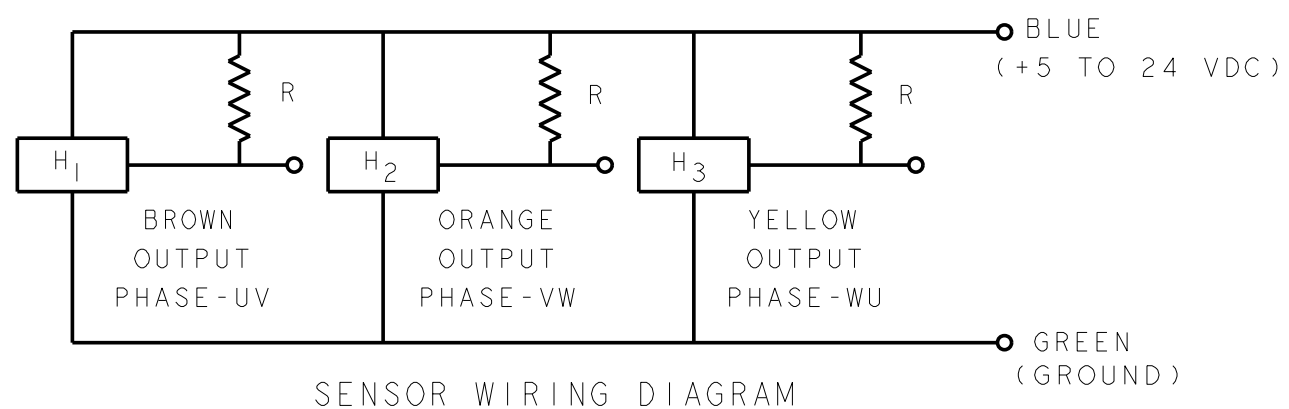
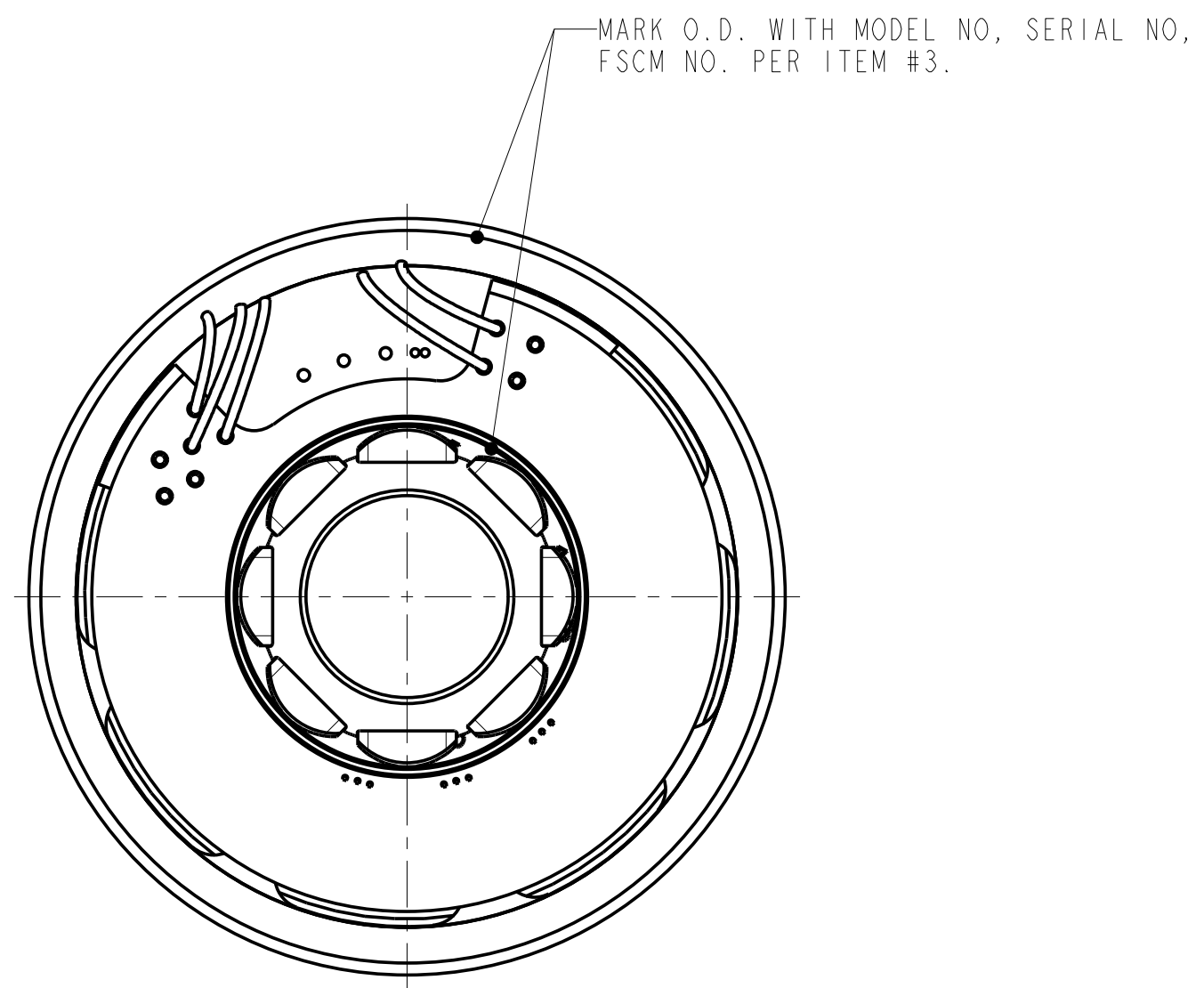
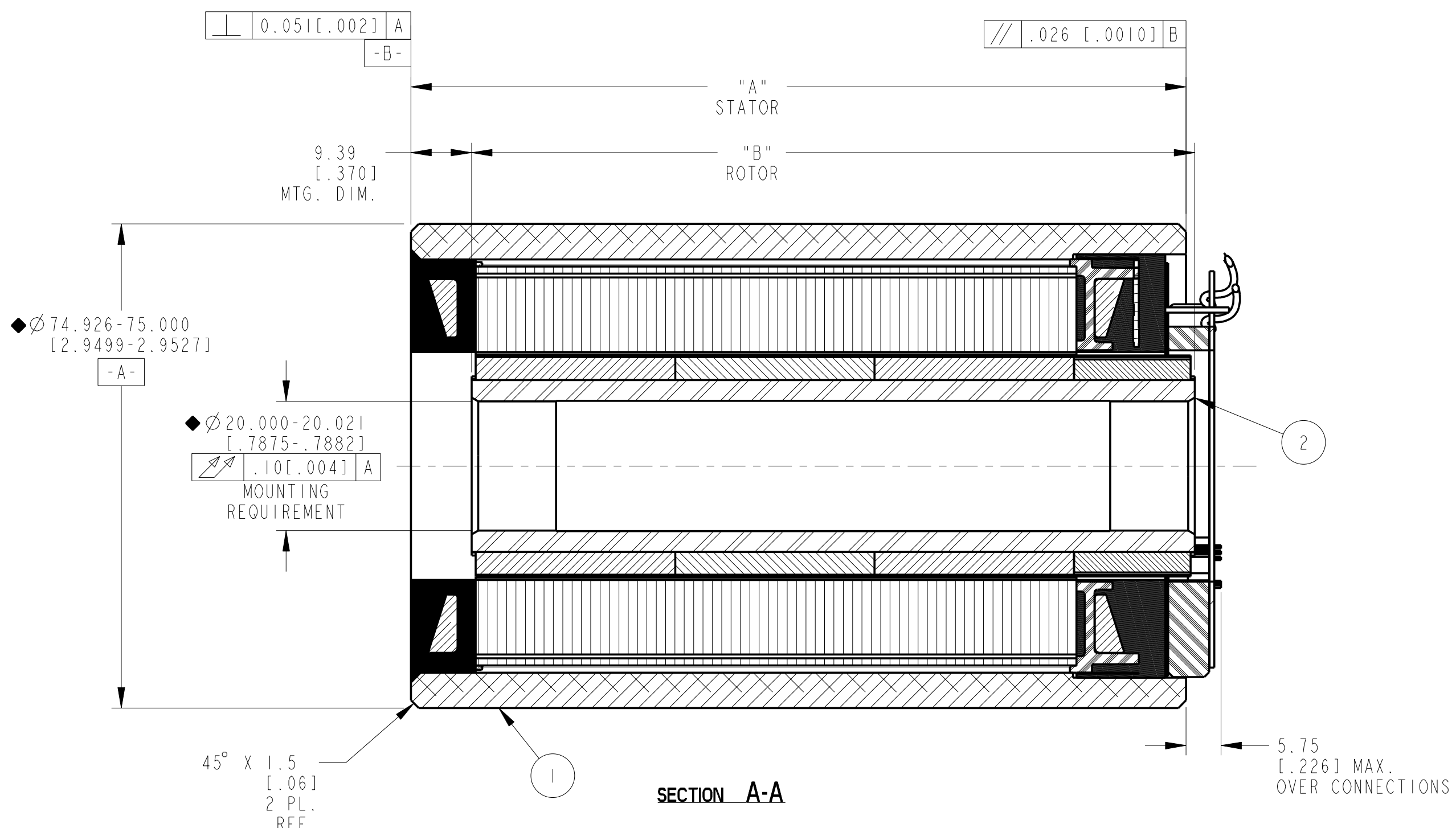
- NOTES:
- 1- MOTOR SUPPLIED AS TWO SEPERATE COMPONENTS, STATOR & SENSOR ASSEMBLY AND FIELD ASSEMBLY.
  - 2- FOR A C.C.W. ROTATION, AS VIEWED FROM LEAD END, ENERGIZE PER EXCITATION SEQUENCE TABLE.
  - 3- R= 1.5K OHMS APPROX. (CUSTOMER SUPPLIED)
  - 4- EMF-UV, EMF-VW AND EMF-WU IS BACK EMF OF MOTOR PHASES UV, VW, AND WU RESPECTIVELY, ALIGNED WITH SENSOR OUTPUT AS SHOWN FOR C.C.W. ROTATION ONLY.
  - 5- SENSORS SET FOR BI-DIRECTIONAL ROTATION
  - 6- RoHS (DIRECTIVE 2002/95/EC AND AMMENDMENTS) COMPLIANCE REQUIRED.

SENSOR LEADS:  
 #26 AWG TEFLON COATED PER MIL-W-22759/11, 400.00 [15.75"] MIN. LG. EACH 1-BLUE, 1-ORANGE, 1-BROWN, 1-GREEN, 1-YELLOW

MOTOR LEADS:  
 #18 AWG TEFLON COATED PER UL 10086, 400.00 [15.75"] MIN. LG. EACH 1-BLUE, 1-BROWN, 1-VIOLET

THERMISTOR LEADS:  
 #26 AWG TEFLON COATED UL RATED 600V, 150°C MIN, 400.00 [15.75"] MIN. LG. EACH 1-BLUE, 1-BLACK

REVISION					
REV	ECN NO.	DESCRIPTION	DATE	APPROVED	
A	R01_14145	SEE ECO	L&T 20-Jan-11	LW	
B	R01_15266	SEE ECO	KLR 17-Jan-13	LW	
C	R01_15601	SEE ECO	ALM 8/12/13	KLR	



POWER CONNECTION			
STEP	PHASE "U" BLUE	PHASE "V" BROWN	PHASE "W" VIOLET
1	(+)	(-)	(-)
2	(+)	(-)	(-)
3	(-)	(+)	(-)
4	(-)	(+)	(-)
5	(-)	(-)	(+)
6	(-)	(-)	(+)

EXCITATION SEQUENCE TABLE

MODEL NUMBER	STATOR SEE BOM	FIELD ASSEMBLY	"A" DIM	"B" DIM
KBMS-14X01	945802/01X	945797/01	58.00 [2.283]	50.19 [1.976]
KBMS-14X02	945802/02X	945797/02	89.00 [3.504]	81.08 [3.192]
KBMS-14X03	945802/03X	945797/03	120.00 [4.724]	111.96 [4.408]

THIS DOCUMENT IS ONLY FOR USE BY THE INTENDED RECIPIENT AND CONTAINS KOLLMORGEN CONFIDENTIAL INFORMATION

Pro/E Instance Name: KBMS\_14XXX\_945803  
 Pro/E Drawing Name: 945803  
 Pro/E Model Type: ASSEM  
 Pro/Engineer Drawing

3	AR	IM-2709	MARKING PROCEDURE
2	I	SEE TABLE 1	FIELD ASSEMBLY
1	I	945802/03X	STATOR & SENSOR ASSEMBLY
ITEM	QTY	IDENTIFYING NO.	DESCRIPTION
LIST OF PARTS			
UNLESS OTHERWISE SPECIFIED: REMOVE ALL SHARP BURRS AND BREAK ALL SHARP EDGES X DECIMAL PLACES ±.4 [0.15] XX DECIMAL PLACES ±.13 [0.05] ANGULAR DIMENSIONS ±1°		KOLLMORGEN Inland Motor INLAND MOTOR 501 FIRST STREET RADFORD, VIRGINIA 24141	
DO NOT SCALE DRAWING. USE DIMENSIONS ONLY ALL DIMENSIONS ARE IN MILLIMETERS DIMENSIONS IN BRACKETS [ ] ARE IN INCHES AND ARE FOR REFERENCE ONLY.		OUTLINE AND ASSEMBLY KBMS-14XXX-X00	
INTERPRET GEOMETRIC SYMBOLS PER ANSI Y14.5M-1982		FSCM 11384	SIZE DWG. NO. C 945803
DRAWN BY: L&T CHECKED BY: LW APPROVED BY: AG		DATE: 03-Apr-09 DATE: 17-Sep-09 DATE: 17-Sep-09	REV C
SCALE: 3:2		JOB NO.:	SHEET 1 OF 1

4

3

2

1

REV. C  
945803  
A