

4

3

2

1

NOTES:

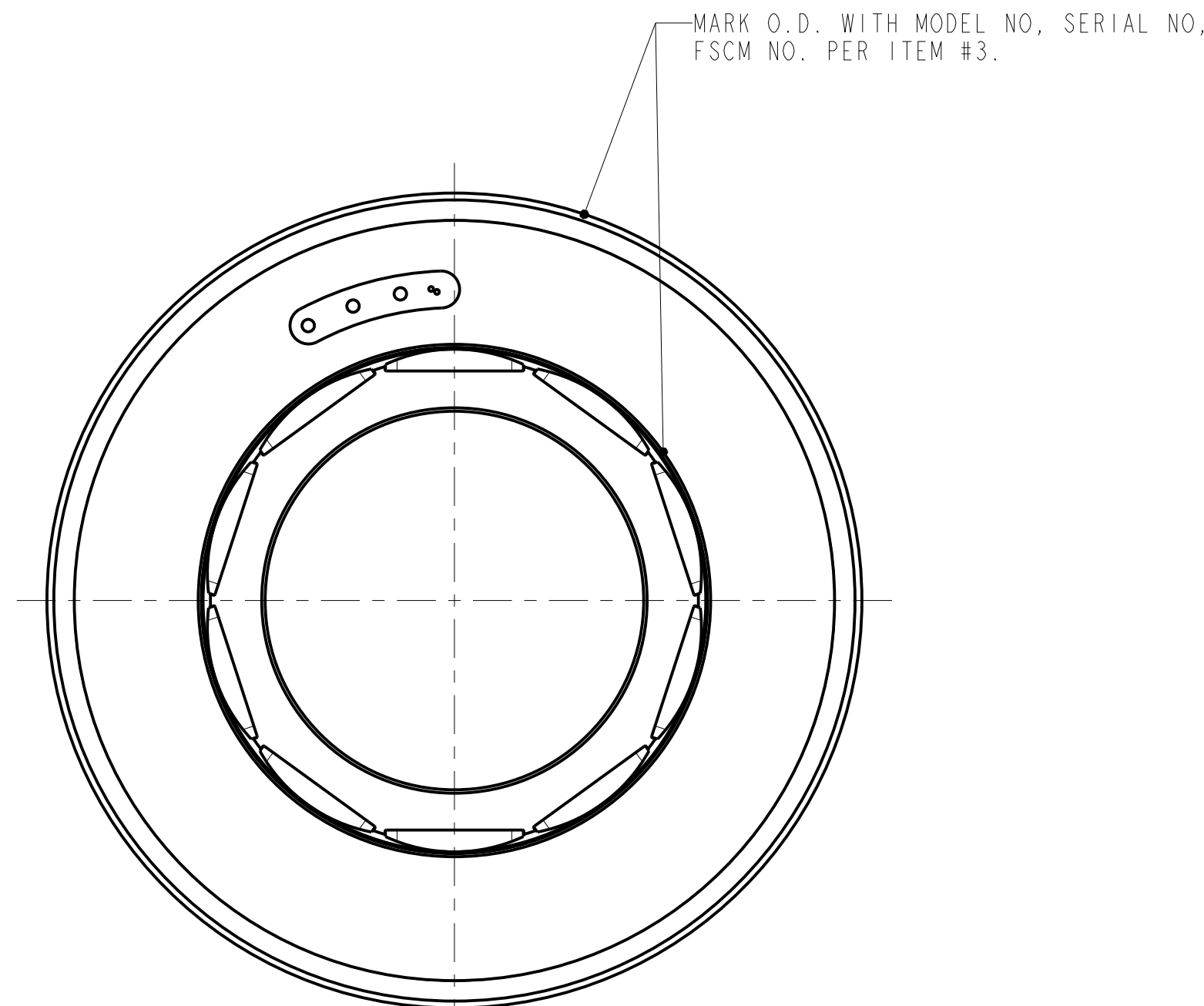
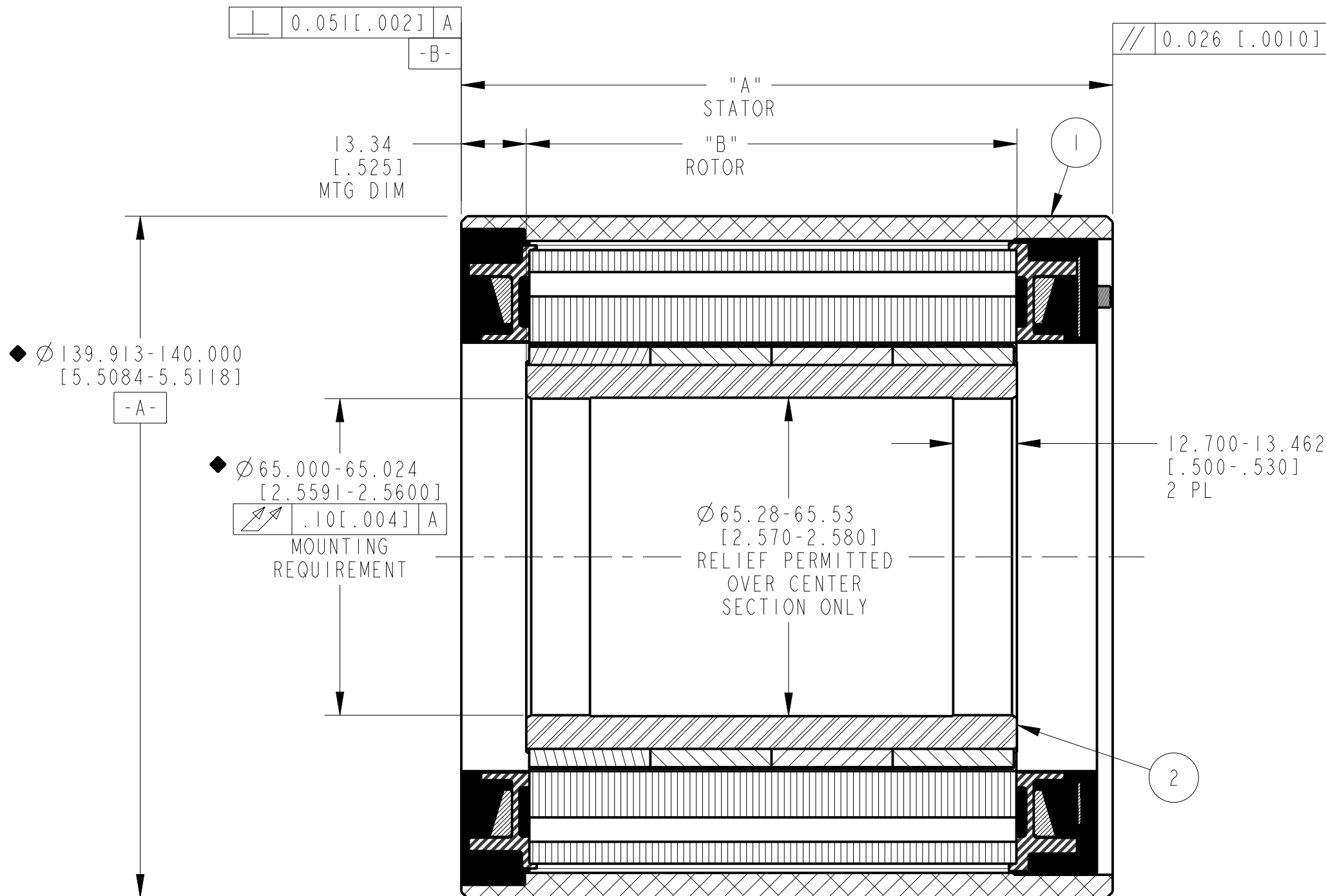
- 1- MOTOR SUPPLIED AS TWO SEPERATE COMPONENTS, STATOR ASSEMBLY AND FIELD ASSEMBLY.
- 2- FOR A C.C.W. ROTATION, AS VIEWED FROM LEAD END, ENERGIZE PER EXCITATION SEQUENCE TABLE.
- 3- ROHS AND REACH COMPLIANCE REQUIRED IN ACCORDANCE WITH KOLLMORGEN PRODUCT ENVIRONMENTAL COMPLIANCE SPECIFICATION, 960303, IN ITS LATEST REVISION.

THERMISTOR LEADS:
 #26 AWG TEFLON COATED
 UL RATED 600V, 150°C MIN,
 400.00 [15.75"] MIN. LG.
 EACH 1-BLUE, 1-BLACK

MOTOR LEADS:
 #14 AWG TEFLON COATED PER
 UL 10086, 400.00 [15.75"] MIN. LG.
 EACH 1-BLUE, 1-BROWN, 1-VIOLET

REVISION

REV	ECN NO.	DESCRIPTION	DATE	APPROVED
A	R01_14145	SEE ECO	L&T 20-Jan-11	LW
B	R01_15266	SEE ECO	KLR 17-Jan-13	LW
C	R01_15601	SEE ECO	ALM 8/12/13	KLR
D	R01_17048	SEE ECO	ALM 6/30/15	MAS



SECTION A-A

TABLE 1

MODEL NUMBER	STATOR SEE BOM	FIELD ASSEMBLY	"A" DIM	"B" DIM
KBM-35X01	945891/01X	945889/01	83.74 [3.297]	51.00 [2.008]
KBM-35X02	945891/02X	945889/02	108.74 [4.281]	75.87 [2.987]
KBM-35X03	945891/03X	945889/03	133.740 [5.2654]	100.74 [3.966]
KBM-35X04	945891/04X	945889/04	158.740 [6.2496]	125.60 [4.945]

STEP	POWER CONNECTION		
	PHASE "U" BLUE	PHASE "V" BROWN	PHASE "W" VIOLET
1	(+)	(-)	
2	(+)		(-)
3		(+)	(-)
4	(-)	(+)	
5	(-)		(+)
6		(-)	(+)

EXCITATION SEQUENCE TABLE

THIS DOCUMENT IS ONLY FOR USE BY THE INTENDED RECIPIENT AND CONTAINS KOLLMORGEN CONFIDENTIAL INFORMATION

Pro/E Instance Name	KBM_35XXX_945894
Pro/E Drawing Name	945894
Pro/E Model Type	ASSEM
Pro/Engineer Drawing	



METRIC DRAWING

<p>DO NOT SCALE DRAWING. USE DIMENSIONS ONLY. ALL DIMENSIONS ARE IN MILLIMETERS. DIMENSIONS IN BRACKETS [] ARE IN INCHES AND ARE FOR REFERENCE ONLY.</p> <p>INTERPRET GEOMETRIC SYMBOLS PER ANSI Y14.5M-1982</p>	<p>DRAWN BY: ALM CHECKED BY: LW APPROVED BY: AG</p>	<p>DATE: Jun-30-15</p>
---	---	------------------------

3	AR	IM-2709	MARKING PROCEDURE
2	I	SEE TABLE 1	FIELD ASSEMBLY
1	I	SEE TABLE 1	STATOR ASSEMBLY
ITEM	QTY	IDENTIFYING NO.	DESCRIPTION

LIST OF PARTS

UNLESS OTHERWISE SPECIFIED: REMOVE ALL SHARP BURRS AND BREAK ALL SHARP EDGES. X DECIMAL PLACES ±.4 [.015] XX DECIMAL PLACES ±.13 [.005] ANGULAR DIMENSIONS ±1°

DO NOT SCALE DRAWING. USE DIMENSIONS ONLY. ALL DIMENSIONS ARE IN MILLIMETERS. DIMENSIONS IN BRACKETS [] ARE IN INCHES AND ARE FOR REFERENCE ONLY.

INTERPRET GEOMETRIC SYMBOLS PER ANSI Y14.5M-1982

KOLLMORGEN 501 MAIN STREET RADFORD, VIRGINIA 24141

OUTLINE AND ASSEMBLY KBM-35XXX-X00

FSCM 11384 SIZE C DWG. NO. 945894 REV D

SCALE: 1.000 JOB NO.: 1976167 SHEET 1 OF 1

4

3

2

1

REV. NO. 945894