

4

3

2

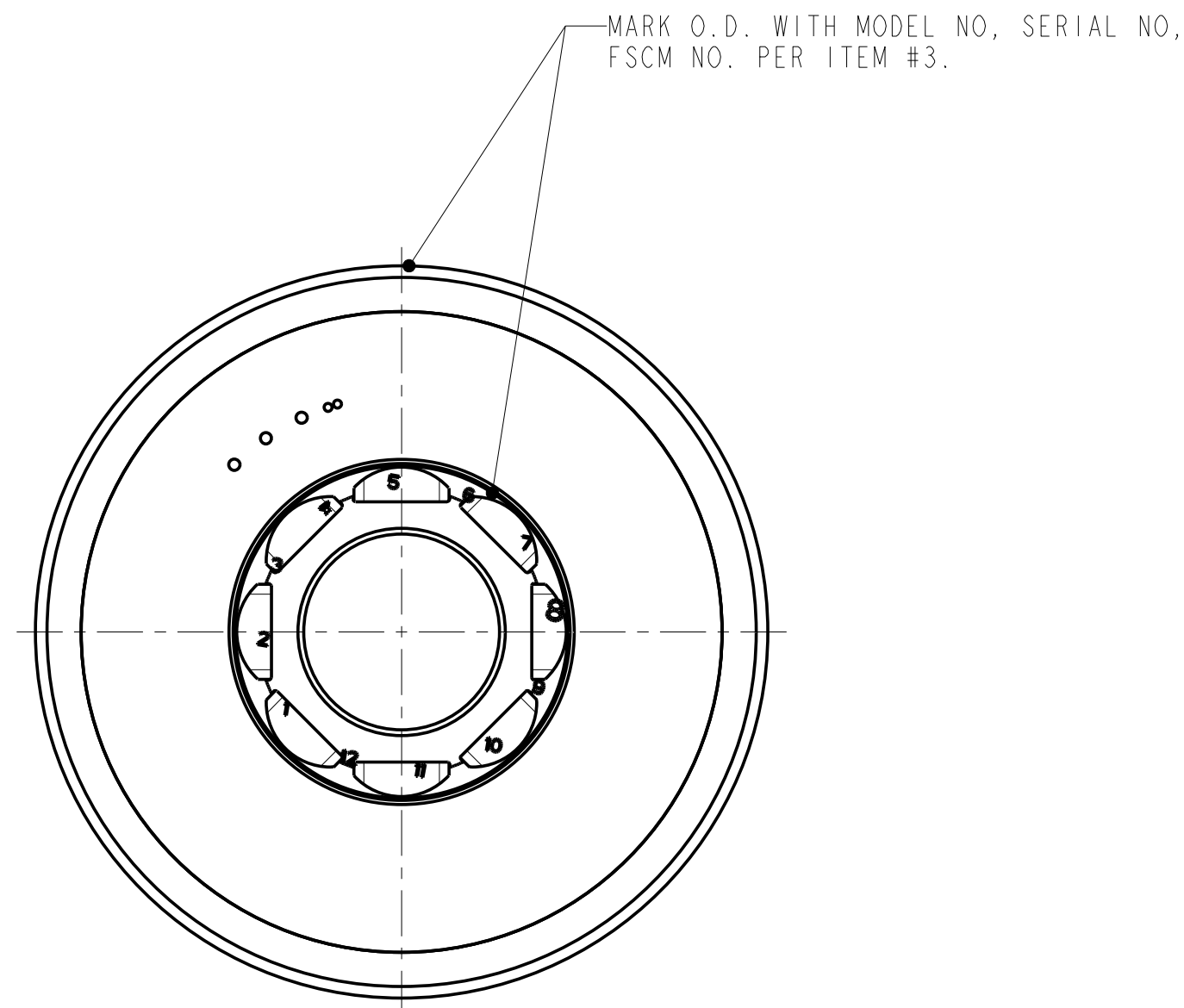
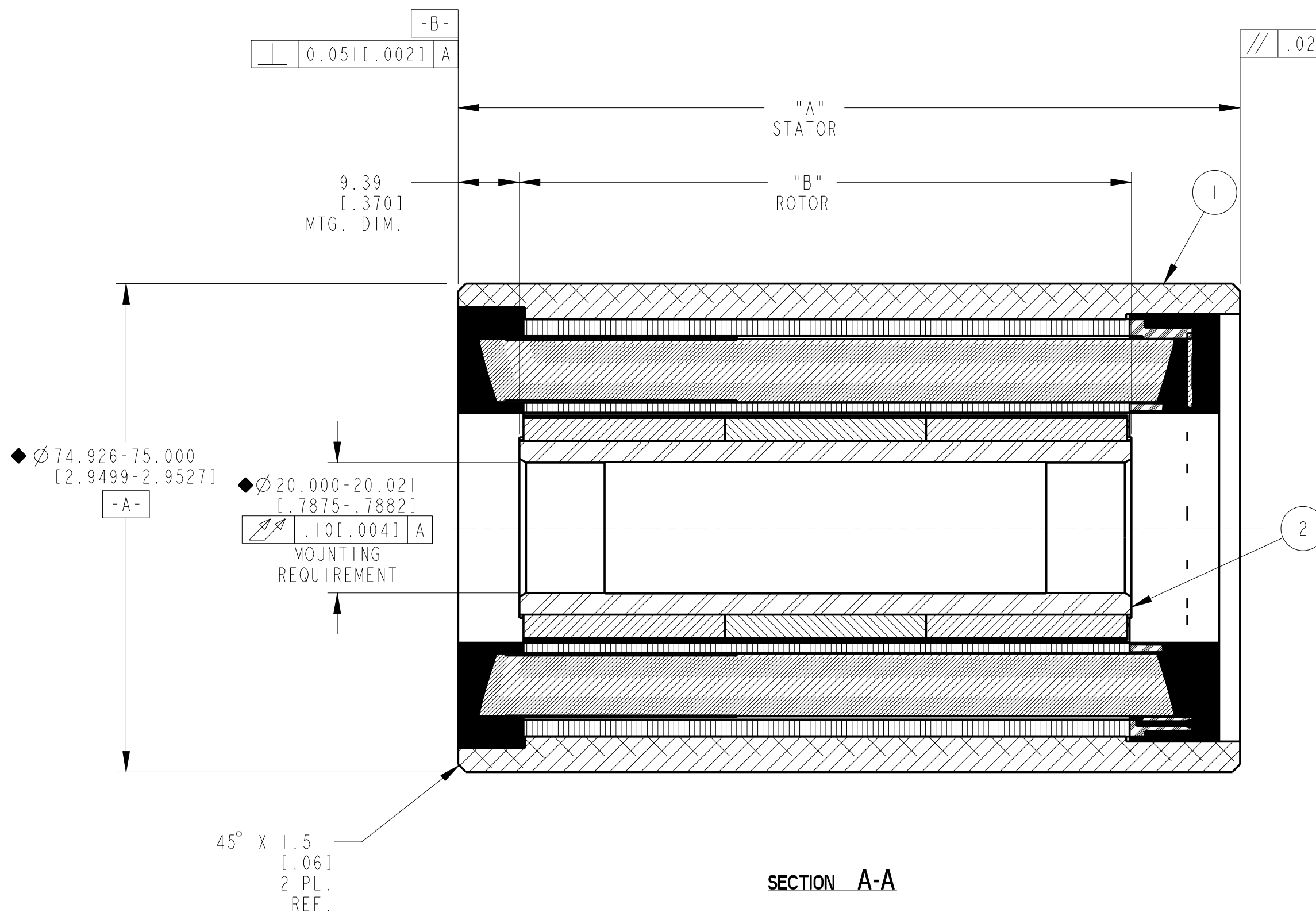
1

NOTES:
 1- MOTOR SUPPLIED AS TWO SEPERATE COMPONENTS, STATOR ASSEMBLY AND FIELD ASSEMBLY.
 2- FOR A C.C.W. ROTATION, AS VIEWED FROM LEAD END, ENERGIZE PER EXCITATION SEQUENCE TABLE.
 3- RoHS (DIRECTIVE 2002/95/EC AND AMMENDMENTS) COMPLIANCE REQUIRED.

THERMISTOR LEADS:
 #26 AWG TEFLON COATED
 UL RATED 600V, 150°C MIN,
 400.00 [15.75"] MIN. LG.
 EACH 1-BLUE, 1-BLACK

MOTOR LEADS:
 #18 AWG TEFLON COATED PER
 UL 10086, 400.00 [15.75"] MIN. LG.
 EACH 1-BLUE, 1-BROWN, 1-VIOLET

| REVISION | | | | | |
|----------|-----------|-------------|------|-----------|-----|
| REV | ECN NO. | DESCRIPTION | DATE | APPROVED | |
| A | R01_14145 | SEE ECO | L&T | 20-Jan-11 | LW |
| B | R01_15266 | SEE ECO | KLR | 17-Jan-13 | LW |
| C | R01_15601 | SEE ECO | ALM | 8/12/13 | KLR |



SECTION A-A

| MODEL NUMBER | STATOR SEE BOM | FIELD ASSEMBLY | "A" DIM | "B" DIM |
|--------------|----------------|----------------|----------------|---------------|
| KBM-14X01 | 945801/01X | 945799/01 | 58.00 [2.283] | 32.16 [1.266] |
| KBM-14X02 | 945801/02X | 945799/02 | 89.00 [3.504] | 63.04 [2.482] |
| KBM-14X03 | 945801/03X | 945799/03 | 120.00 [4.724] | 93.93 [3.698] |

| STEP | PHASE "U" BLUE | PHASE "V" BROWN | PHASE "W" VIOLET |
|------|----------------|-----------------|------------------|
| 1 | (+) | (-) | |
| 2 | (+) | | (-) |
| 3 | | (+) | (-) |
| 4 | (-) | (+) | |
| 5 | (-) | | (+) |
| 6 | | (-) | (+) |

EXCITATION SEQUENCE TABLE

THIS DOCUMENT IS ONLY FOR USE BY THE INTENDED RECIPIENT AND CONTAINS KOLLMORGEN CONFIDENTIAL INFORMATION

| | |
|----------------------|------------------|
| Pro/E Instance Name | KBM_14XXX_945804 |
| Pro/E Drawing Name | 945804 |
| Pro/E Model Type | ASSEM |
| Pro/Engineer Drawing | |

METRIC DRAWING

| | |
|---|---|
| <input type="checkbox"/> SIGNIFICANT PRODUCT CHARACTERISTIC <input type="checkbox"/> CRITICAL PRODUCT CHARACTERISTIC | UNLESS OTHERWISE SPECIFIED: REMOVE ALL SHARP BURRS AND BREAK ALL SHARP EDGES X DECIMAL PLACES ±.4 [0.015] XX DECIMAL PLACES ±.13 [0.005] ANGULAR DIMENSIONS ±1° DO NOT SCALE DRAWING. USE DIMENSIONS ONLY ALL DIMENSIONS ARE IN MILLIMETERS DIMENSIONS IN BRACKETS [] ARE IN INCHES AND ARE FOR REFERENCE ONLY. INTERPRET GEOMETRIC SYMBOLS PER ANSI Y14.5M-1982 |
|---|---|

| 3 | AR | IM-2709 | MARKING PROCEDURE |
|---------------------------------------|----------|---|-------------------|
| 2 | I | SEE TABLE 1 | FIELD ASSEMBLY |
| 1 | I | SEE TABLE 1 | STATOR ASSEMBLY |
| ITEM | QTY | IDENTIFYING NO. | DESCRIPTION |
| LIST OF PARTS | | | |
| KOLLMORGEN | | INLAND MOTOR 501 FIRST STREET RADFORD, VIRGINIA 24141 | |
| Inland Motor | | | |
| OUTLINE AND ASSEMBLY KBM-14XXX-X00 | | | |
| FSCM | SIZE | DWG. NO. | REV |
| 11384 | C | 945804 | C |
| SCALE: 3:2 | JOB NO.: | SHEET 1 OF 1 | |

4

3

2

1

REV C

945804

A