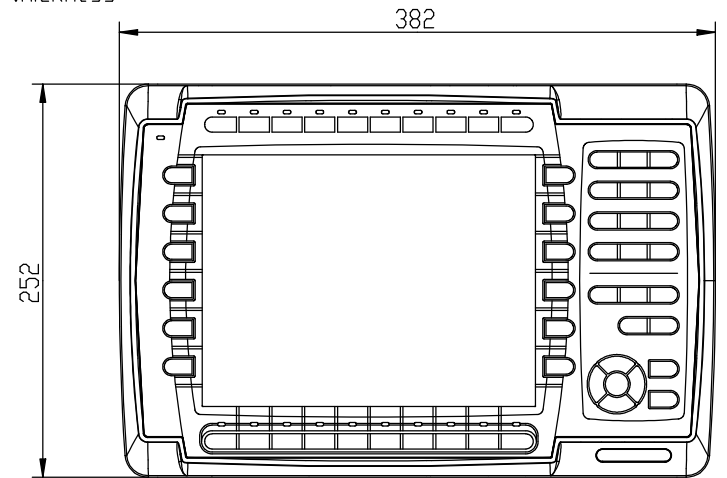
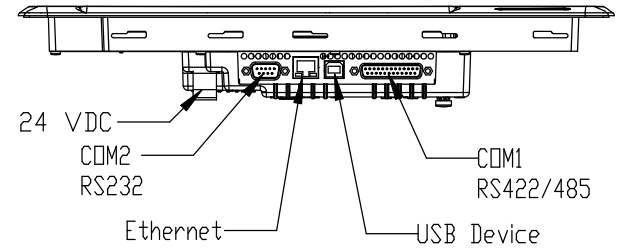
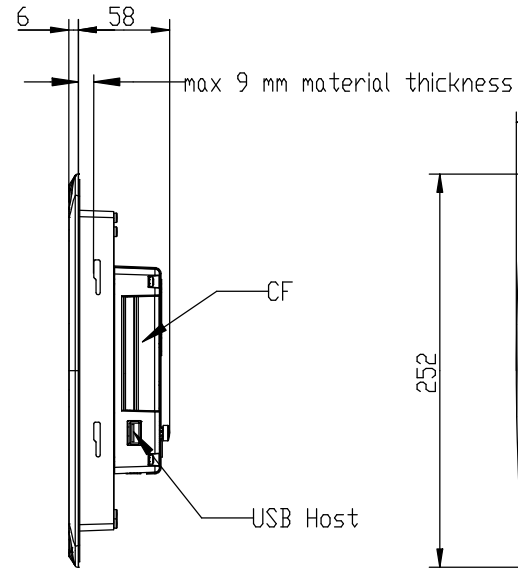
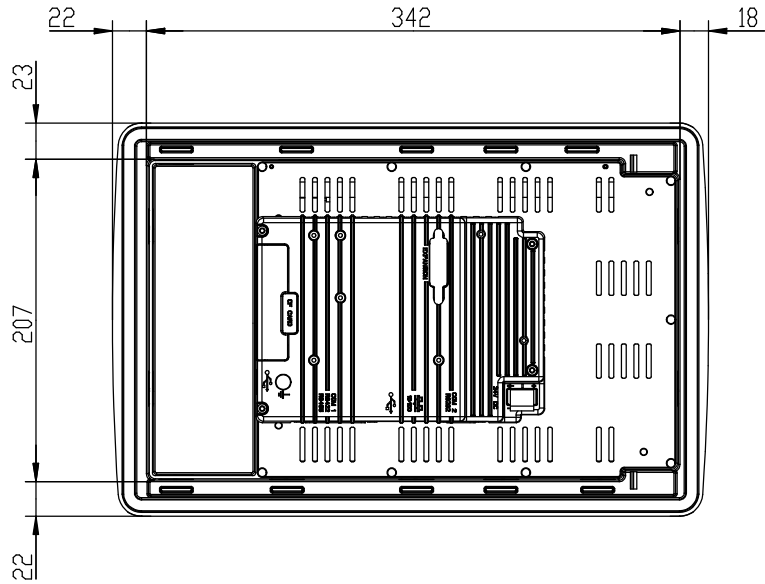
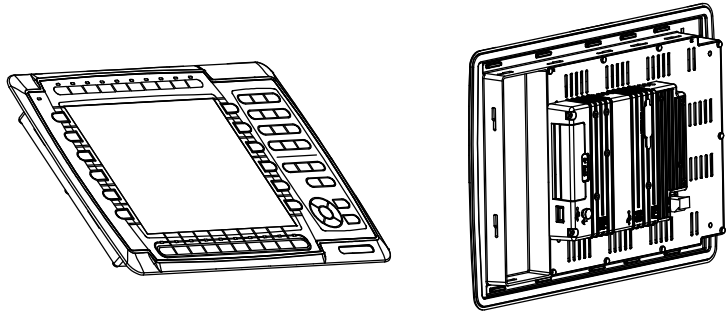


This document is our property and shall not without our permission in writing be altered, copied, used for manufacturing or communicated to any other person or company.



Cut out
344±1 x 210±1 mm
(13.54±0.04 x 8.27±0.04 inch)
Note: See AKI-CDF-MOD-10T_DRW_2_REV_1.dwg for cutout template.

Kollmorgen Automation Suite - HMI		
Product	AKI-CDF-MOD-10T	
Product Name	10.4" Keypad HMI	
Product Description	Graphic Operator Terminal	
Revision Number	1	
Document Number	AKI-CDF-MOD-10T_DRW_1_REV_1.dwg	
Date: 9/24/10	Sheet: 1(2)	Standard: ISO