

Seco

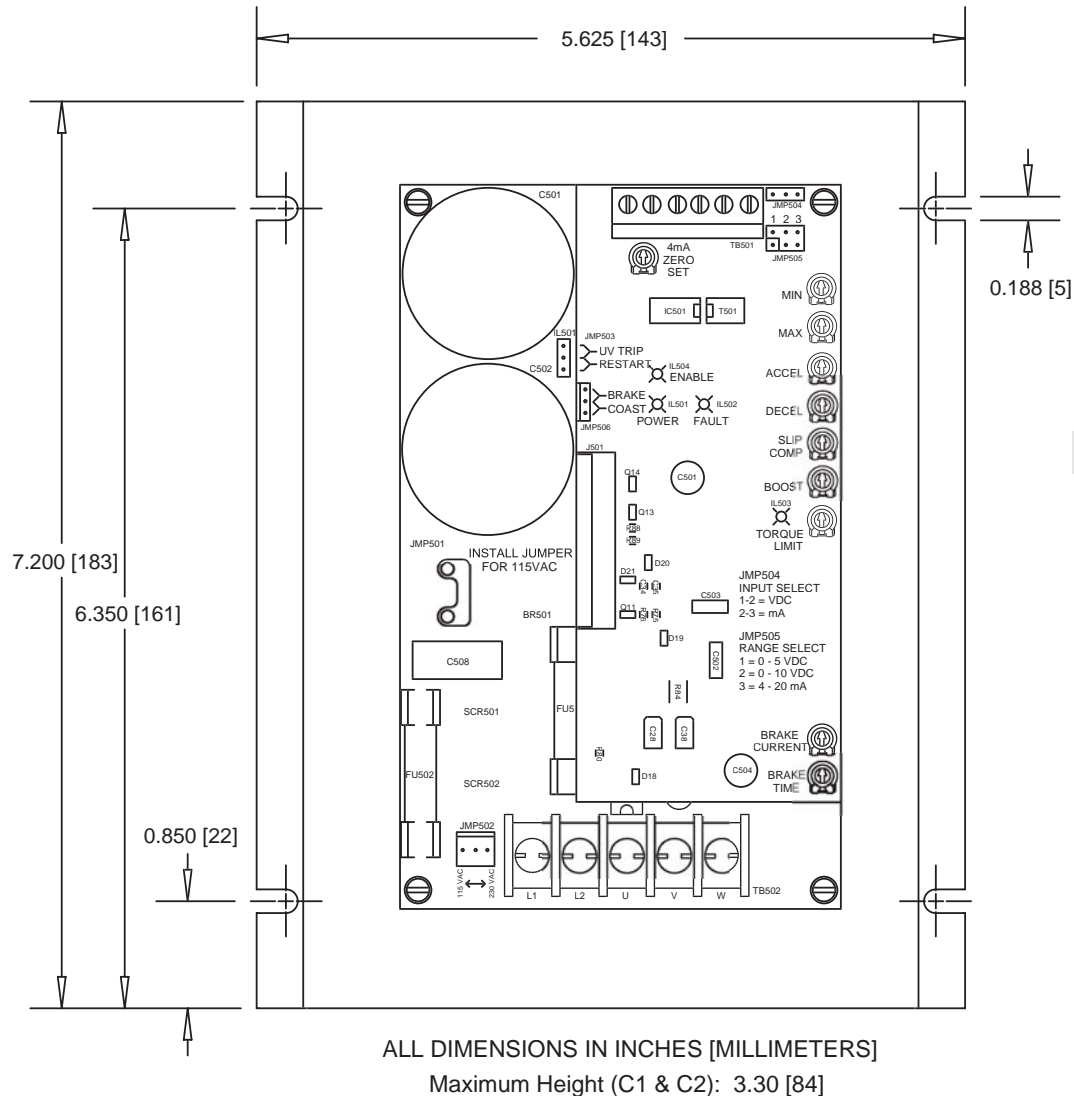
AC/DC Drives

BVFD161

Variable Frequency Drives for 3-phase & single phase AC motors

QUICK START GUIDE

DIMENSIONS



SPECIFICATIONS

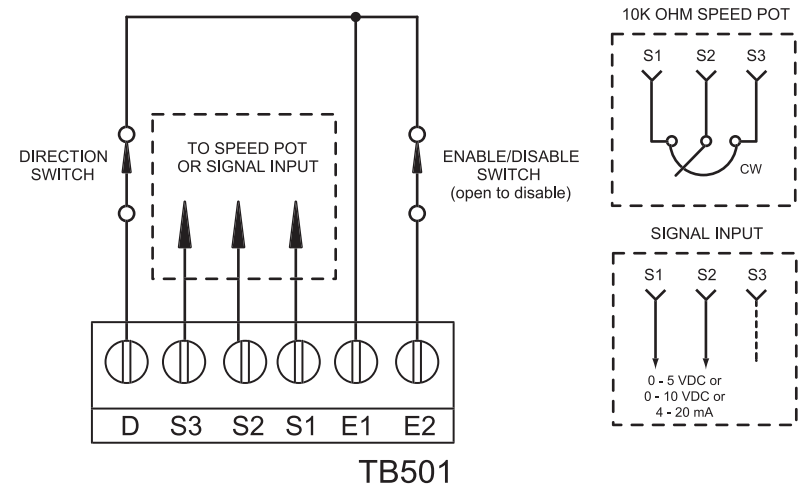
1-Phase Input	.115/230 VAC
1 or 3 -Phase Output	.230 VAC
Maximum Horsepower	.1.5 HP
Maximum Continuous Output Current	† 5.0 AC
AC Amps In	.18 / 10 amps
AC Voltage Input Range	.115/230 VAC ± 10%
	50/60 Hz single phase
Standard Carrier Frequency	.16 KHz
Adjustable Braking Current	.0 - 5 ADC
Adjustable Braking Time	.1 - 10 Sec.
Adjustable Minimum Speed	.0 - 30 Hz
Output Frequency Range	.0 - 120 Hz
Adjustable Maximum Output Frequency Range	.30 - 120 Hz
Acceleration Time Range	.1 - 12 secs
Deceleration Time Range	.1 - 12 secs
Analog Input Voltage Range	
(S1 [-] to S2 [+])	0 - 5 VDC, 0 - 10 VDC, 4 - 20 mA
Input Impedance, S1 to S2	~ 100K ohms
Vibration	.0.5G max (20 - 50 Hz)
	0.1G max (> 50 Hz)
Weight	.1.2 lbs
Ambient Operating Temperature Range	.10° - 40° C

* Jumper settings MUST match input line voltage. Application of 230 VAC line input when jumpers are set for 115 VAC will result in severe damage to the drive.

CONNECTIONS

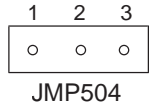
STEP #1

Connect the enable/disable switch, direction switch, and speed potentiometer or signal input to TB501 on the TOP board using 20 - 24 AWG wire as shown below.

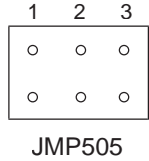


STEP #2

Configure jumpers JMP504 and JMP505 on the top board for the appropriate signal input.



JMP504 (on top board)
Pins 1 & 2 for Voltage Input, or using a speed pot.
Pins 2 & 3 for Current Input



JMP505 (on top board)
1 for 0 - 5 VDC Voltage Input, or using a speed pot
2 for 0 - 10 VDC Voltage Input
3 for 4 - 20 mA Current Input

STEP #3

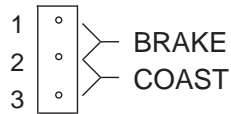
Configure jumpers JMP503 on the bottom board and JMP506 on the top board.

JMP503



JMP503 (on bottom board)
Pins 1 & 2 to Trip
Pins 2 & 3 to Restart

TRIP: Drive has a low voltage fault & must be manually re-enabled to restart.
RESTART: Drive has a low voltage fault & will momentarily stop then auto-restart when input voltage returns to minimum level.



JMP506

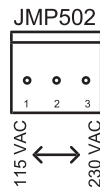
JMP506 (on top board)
Pins 1 & 2 to Brake
Pins 2 & 3 to Coast

STEP #4

Configure jumpers JMP501 and JMP502 on the bottom board for 115 or 230 VAC Power Input. A jumper must be installed on JMP501 for 115 VAC input. No jumper is necessary on JMP501 for 230 VAC input.



INSTALL JUMPER FOR 115VAC



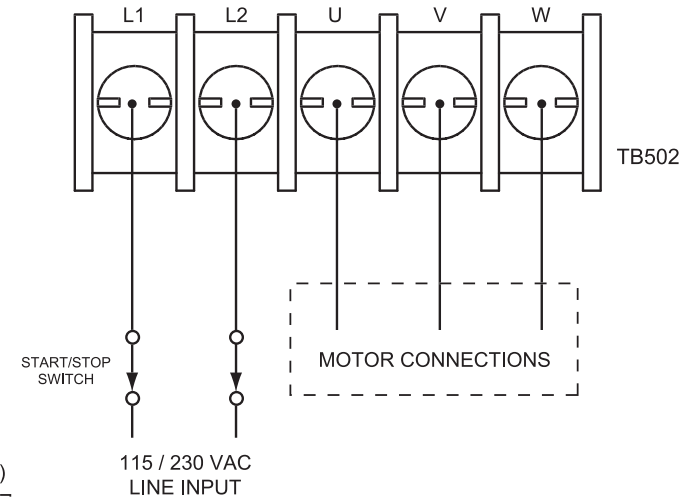
Pins 1 & 2 for 115 VAC
Pins 2 & 3 for 230 VAC

STEP #5

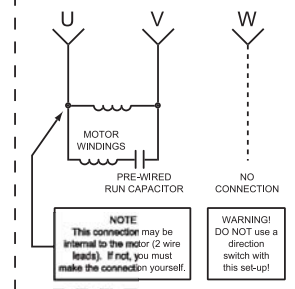
Connect motor leads of a 3-phase motor to U, V, and W (TB502 on BOTTOM board) using 14 - 16 AWG wire as shown in the figure below.

STEP #6

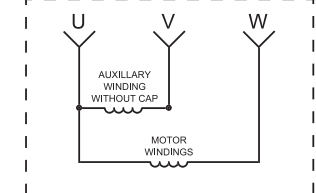
Connect 115 or 230 VAC power input using 12 AWG wire. Include a start/stop switch as shown in the figure below.



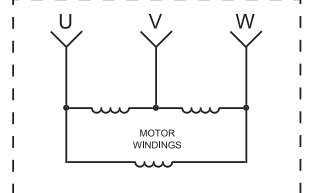
SINGLE-PHASE OPERATION (motor with pre-wired capacitor)



SINGLE-PHASE OPERATION (for use with DIRECTION switch)



THREE-PHASE OPERATION



Danaher Motion
www.danahermotion.com
13500-J South Point Blvd, Charlotte, NC 28273 USA
Phone: (540) 633-3400; Fax: (540) 639-4165
Document Number: 250-0385, Revision 0; Printed in the U.S.A. - December 2004

Copyright © 2004 by
Danaher Motion

All rights reserved. No part of this manual may be reproduced or transmitted in any form without written permission from Danaher Motion. The information and technical data in this manual are subject to change without notice. Danaher Motion and its Divisions make no warranty of any kind with respect to this material, including, but not limited to, the implied warranties of its merchantability and fitness for a given purpose. Danaher Motion and its Divisions assume no responsibility for any errors that may appear in this manual and make no commitment to update or to keep current the information in this manual. KC0304

Printed in the United States of America.