

ERD Safety Guide

AKMH+ERD

Safety Guide



Edition July 2016
European Version (CE region)

 English  Deutsch

Original Language is English. All other content is translated from the original language.

Keep all manuals as a product component during the life span of the product. Pass all manuals to future users and owners of the product.

Bewahren Sie alle Anleitungen während der gesamten Nutzungsdauer des Produkts als Produktkomponente auf. Händigen Sie alle Anleitungen künftigen Anwendern/Besitzern des Produkts aus.



KOLLMORGEN

Because Motion Matters™

Record of Document Revisions

Revision	Remarks
...	Table with lifecycle information of this document (→ # 49)
11 / 2014	First edition
12 / 2015	CE mark removed, AKMH part number scheme simplified, back cover page updated, dynamic load data ERD25/30 updated
07 / 2016	Inertia ERD25/30 updated,

Table of Contents

	Safety Guide	English	(→ # 3)
	Safety Guide	Deutsch	(→ # 19)
	Appendix		(→ # 35)
	Technical Data		(→ # 36)
	Dimension Drawings		(→ # 45)

Technical changes to improve the performance of the equipment may be made without prior notice!

Translation of the original manual, printed in Germany

All rights reserved. No part of this work may be reproduced in any form (by photocopying, microfilm or any other method) or stored, processed, copied or distributed by electronic means without the written permission of Kollmorgen Europe GmbH.

Technische Änderungen, die der Verbesserung der Geräte dienen, vorbehalten!

Originalbetriebsanleitung, gedruckt in Deutschland

Alle Rechte vorbehalten. Kein Teil des Werkes darf in irgendeiner Form (Fotokopie, Mikrofilm oder in einem anderen Verfahren) ohne schriftliche Genehmigung der Firma Kollmorgen Europe GmbH reproduziert oder unter Verwendung elektronischer Systeme verarbeitet, vervielfältigt oder verbreitet werden.

1 English

1.1 General	4
1.1.1 About this manual	4
1.1.2 Symbols Used	4
1.1.3 Abbreviations used	4
1.2 Safety	5
1.2.1 You should pay attention to this	5
1.2.2 Use as directed	7
1.2.3 Prohibited use	7
1.2.4 Handling	8
1.3 Product identification	10
1.4 General technical data	12
1.4.1 Environment requirements	12
1.4.2 Standard equipment and options	12
1.4.3 Protection class IP69K	12
1.4.4 Motor temperature sensor	12
1.4.5 Holding brake	13
1.4.6 Hygienic design	13
1.5 Mechanical Installation	14
1.5.1 Mount the motor	14
1.5.2 Assemble the linear actuator	14
1.6 Electrical Installation	15
1.6.1 Important notes	15
1.6.2 Wire color coding	15
1.6.3 Connection options	16
1.6.4 Cable installation	17
1.6.5 Guide for electrical installation	17
1.7 Setup	18
1.7.1 Important notes	18
1.7.2 Guide for setup	18








1.1 General

1.1.1 About this manual

This manual describes the hygienic linear actuator ERD and the matching stainless steel servomotor AKMH. The servomotors which can be mounted to the linear actuator are operated in drive systems together with servo drives. Kollmorgen offers a mounting service. For mounting to the machine and setup observe the component documentation, consisting of:

- Instructions Manual of the used motor (AKMH)
- Instructions Manual of the used drive
- Bus Communication manual (e.g. EtherCAT)
- Online help of the drive's setup software
- Regional Accessories Manual

1.1.2 Symbols Used

Symbol	Indication
 DANGER	Indicates a hazardous situation which, if not avoided, will result in death or serious injury.
 WARNING	Indicates a hazardous situation which, if not avoided, could result in death or serious injury.
 CAUTION	Indicates a hazardous situation which, if not avoided, could result in minor or moderate injury.
NOTICE	This is not a safety symbol. Indicates situations which, if not avoided, could result in property damage.
NOTE	This is not a safety symbol. This symbol indicates important notes.
	Warning of a danger (general). The type of danger is specified by the text next to the symbol.
	Warning of danger from electricity and its effects.
	Warning of hot surfaces
	Warning of suspended loads.

1.1.3 Abbreviations used



In this document, the symbolism (→ # 14) means: see page 14.

1.2 Safety

This section helps to recognize and avoid dangers to people and objects.

1.2.1 You should pay attention to this

Specialist staff required!

Only properly qualified personnel are permitted to perform such tasks as transport, assembly, setup and maintenance. Qualified specialist staff are persons who are familiar with the transport, installation, assembly, commissioning and operation of linear actuators and servo motors and who bring their relevant minimum qualifications to bear on their duties:

- Transport: only by personnel with knowledge of handling electrostatically sensitive components.
- Hygienics: only by personnel with extensive knowledge of the hygienic standards and directives which are valid for the application.
- Mechanical Installation: only by mechanically qualified personnel.
- Electrical Installation: only by electrically qualified personnel.
- Setup: only by qualified personnel with extensive knowledge of electrical engineering and drive technology

The qualified personnel must know and observe IEC 60364 / IEC 60664 and national accident prevention regulations.

Read the documentation!

Read the available documentation before installation and commissioning. Improper handling of the servo motor and linear actuator can cause harm to people or damage to property. The operator must therefore ensure that all persons entrusted to work on the actuator have read and understood the manual and that the safety notices in this safety guide are observed.

Pay attention to the technical data!

Adhere to the technical data and the specifications on connection conditions (rating plate and documentation). If permissible voltage values or current values are exceeded, the motors can be damaged, for example by overheating.

Perform a risk assessment!

The manufacturer of the machine must generate a risk assessment for the machine, and take appropriate measures to ensure that unforeseen movements cannot cause injury or damage to any person or property. Additional requirements on specialist staff may also result from the risk assessment.

Transport safely!

Lift and move devices with more than 20 kg weight only with lifting tools. Lifting unassisted could result in back injury.



Hot surface!

The surfaces of the motors can be very hot in operation, according to their protection category. Risk of minor burns! The surface temperature can exceed 100°C. Measure the temperature, and wait until the device has cooled down below 40°C before touching it.



Earthing! High voltages!

It is vital that you ensure that the motor housing is safely earthed to the PE (protective earth) busbar in the switch cabinet. Risk of electric shock. Without low-resistance earthing no personal protection can be guaranteed and there is a risk of death from electric shock. Power connections may carry voltage even if the motor shaft is not turning.

Do not unplug any connectors during operation. There is a risk of death or severe injury from touching exposed contacts. Power connections may be live even when the gearbox shaft is not rotating. This can cause flashovers with resulting injuries to persons and damage to the contacts.

After disconnecting the drive from the supply voltage, wait several minutes before touching any components which are normally live (e.g. contacts, screw connections) or opening any connections.



Secure hanging loads!

Built-in holding brakes do not ensure functional safety!

Hanging loads (vertical axes) require an additional, external mechanical brake to ensure personnel safety.

Evaluate chemical compatibility of the motor cable!

Compatibility of the cable to cleaning solutions used in the application should be evaluated before subjecting the cable to long-term exposure to chemicals. Long-term exposure of the cable to chemicals not compatible with the cable could result in contamination of product, motor or gearbox failure, and electrocution hazard due to the exposure of high voltage wiring inside the motor cable.

Evaluate chemical compatibility of the optional cable tube!

Silicone tubing protects the cable and electrical interfaces on these motors from exposure to cleaning solutions and avoids emissions from the motor cable. Exposure of the silicone tubing to strong mineral acids should be avoided to avoid chemical degradation of the silicone tubing. Compatibility of the silicone tubing with cleaning solutions used in the application should be evaluated before subjecting the silicone tubing to long-term exposure to chemicals. Long-term exposure of the silicone tubing to chemicals not compatible with the silicone tubing could result in contamination of product, motor failure, and electrocution hazard due to the exposure of high voltage wiring inside the motor cable.

1.2.2 Use as directed

- The motors and linear actuators are installed as components in electrical apparatus or machines and can only be commissioned and put into operation as integral components of such apparatus or machines.
- ERD linear actuators and AKMH servo motors are designed especially for drives for food & beverage, chemical, pharmaceutical machinery and similar with high requirements for hygienics and dynamics.
- Mount the motor to the actuator in a position, that the cable exits in the “down” or “side” region and install the cable with a drip-loop to promote drainage after washdown.
- Use o-ring and sealed screws for motor mounting (mounting kit) to the actuator.
- The use of the linear actuators is allowed in applications with indirect contact to food and beverage. When applying in these applications, the tubing option over the motor cable is required (→ # 32).
- The user is only permitted to operate the motors under the ambient conditions which are defined in this documentation.
- The use of linear actuators is allowed in environments with caustic acids and bases with respect to the defined conditions in chapter Hygienic Design (→ # 13).
- The AKMH series of motors is exclusively intended to be driven by Kollmorgendrives under speed and / or torque control.
- The thermal sensor which is integrated in the motor windings must be connected and evaluated.
- The holding brakes are designed as standstill brakes and are not suited for repeated operational braking.

NOTE

Consider the Kollmorgen mounting service.

1.2.3 Prohibited use

- The use of the AKMH motors is prohibited directly on mains supply networks.
- AKMH motors and ERD linear actuators should not be used in applications with continuous, direct contact with food.
- Standard cables are not sufficient for installation in food splash zones. When applying in these applications, the tubing option for the cable is required (connector options (→ # 16)).
- AKMH motors should not be applied in explosion-prone, hazardous environments.
- AKMH motors and ERD actuators should not be used in clean room applications.
- Commissioning the motor is prohibited if the machine in which it was installed
 - does not meet the requirements of the EC Machinery Directive,
 - does not comply with the EMC Directive,
 - does not comply with the Low Voltage Directive.
- Built-in holding brakes without further equipment must not be used to ensure functional safety.

1.2.4 Handling

Transport

- Climate category 2K3 according to EN61800-2, IEC 60721-3-2
- Temperature: -25...+70°C, max. 20K/hr change
- Humidity: rel. humidity 5% - 95% , no condensation
- Only by qualified personnel in the manufacturer's original recyclable packaging



CAUTION

Observe the product weight. Lift and move devices with more than 20 kg weight only with lifting tools. Lifting unassisted could result in back injury. Use for example a lifting crane with lifting belts.

NOTICE

Transport the actuator only with retracted rod. Do not position any lifting belt on the lifting rod. Check dimension drawings for proper fixing point positions (for belts or similar), see (→ #45) "XX" label.

- Avoid shocks, especially to the rod
- If the packaging is damaged, check the motor and actuator for visible damage. Inform the carrier and, if appropriate, the manufacturer.

Packaging

- Carton with protection inlets.
- You can return the plastic portion to the supplier.
- Max. stacking height: 4 cartons

NOTE

If packages are being stacked, they must be in the horizontal orientation.

Storage

- Climate category 1K4 according to EN61800-2, IEC 60721-3-2
- Storage temperature: - 25...+55°C, max. variation 20K/hr.
- Humidity: rel. humidity 5% - 95%, no condensation
- Store only in the manufacturer's original recyclable packaging
- Max. stacking height: 4 cartons
- Storage time: unlimited

Cleaning

- Cleaning only by qualified personnel.
- Cleaning should take place only when the system is de-energized.
- Follow IP69K standards for wash-down pressure, temperature, angle, and distance for spray nozzle.
- Follow chemical compatibility guidelines for washdown and cleaning.
- Do not use wire brush or friction cleaning methods for the motor and cable surface. Use wash down (IP69K) and wipe down practices only.

Maintenance

- Maintenance should be done by qualified personnel only.
- Motor and actuator are designed to be maintenance free for normal use. Some components however should be inspected time by time.
 - Once per year: inspect cables and tubes. Replace the cable or tube in case of cuts or perforations.
 - Once per year: inspect o-rings for wear including cuts, perforations, and any visible damage that might compromise the sealing of the joints. In case of damages the o-rings (flange seal and seal of rear cover) should be replaced. If the o-ring between flange and motor housing is damaged, the motor must be replaced.
 - Once per year respectively after 2500 hours of operation: check the motor for bearing noise. If any noises are heard, stop the operation of the motor, the bearings must be replaced (by the manufacturer).
 - After 20000 hours of normal operation: replace all bearings after 20,000 hours of operation under rated conditions (send motor to the manufacturer).
- Opening the motor invalidates the warranty.

NOTICE

The actuator is damaged, if it is not sufficiently lubricated. The actuators come with a lifetime lubrication. If the actuator is operated beyond its projected lifetime (→ # 44), the types ERD25 and ERD30 can be provided with new grease by the manufacturer. The types ERD15 and ERD20 have to be replaced.

NOTICE

Applications with very short hub (less than one revolution of the nut) require a longer distance movement (several revolutions of the nut) after 10 cycles. That allows the ball bearings in the nut to reposition.

Repair / Disposal

Repair of the motor and actuator must be done by the manufacturer.

NOTE

Actuator types ERD25 and ERD30 can be repaired by the manufacturer, the types ERD15 and ERD20 cannot be repaired and have to be replaced.

Opening the actuator or motor invalidates the warranty. In accordance to the WEEE-2002/96/EG-Guidelines we take old devices and accessories back for professional disposal, if the transport costs are taken over by the sender. Send the devices to:

KOLLMORGEN Europe GmbH, Pempelfurtstr. 1, D-40880 Ratingen

1.3 Product identification

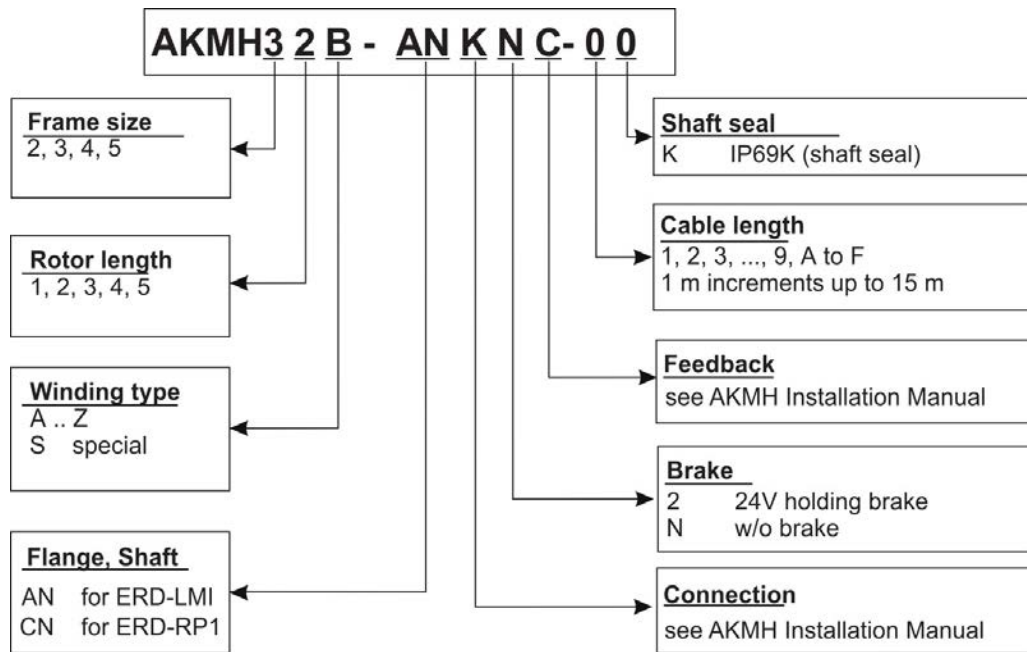
With motors and actuators the matching nameplates are laser marked on the housing side.

Reference table

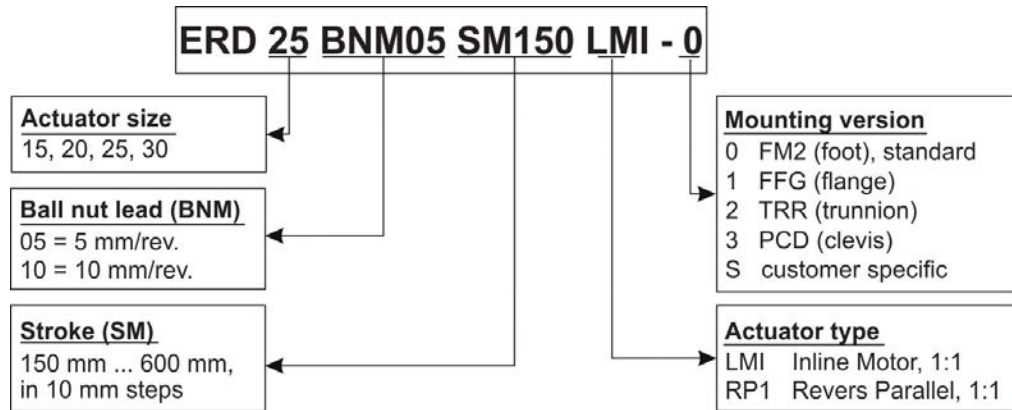
Actuator	Motor		Actuator	Motor
ERD15-LMI	AKMH2xy-AN		ERD15-RP1	AKMH2xy-CN
ERD20-LMI	AKMH3xy-AN		ERD20-RP1	AKMH3xy-CN
ERD25-LMI	AKMH4xy-AN		ERD25-RP1	AKMH4xy-CN
ERD30-LMI	AKMH5xy-AN		ERD30-RP1	AKMH5xy-CN

x = Motor length, y = Winding (see AKMH motor documentation)

AKMH motor part number scheme



ERD linear actuator part number scheme



ERD actuator types

Type	Description	View in principle
LMI	linear, for AKMH motors with AN flange	
RP1	invers parallel, for AKMH motors with CN flange	

ERD mounting versions

Dimensions can be found in the appendix. We offer four mounting versions::

Version	LMI view in principle	RP1 view in principle
FM2 Foot- mounting		
FFG Flange- mounting		
TRR Trunnion mounting		
PCD Clevis mounting	-	

1.4 General technical data

1.4.1 Environment requirements

Ambient temperature (at rated values)	5...+40°C for site altitude up to 1000m amsl It is vital to consult our applications department for ambient temperatures above 40°C and encapsulated mounting of the motors.
Power de-rating (currents and torques)	1%/K in range 40°C...50°C up to 1000m amsl for site altitude above 1000m amsl and 40°C 6% up to 2000m amsl 17% up to 3000m amsl 30% up to 4000m amsl 55% up to 5000m amsl No derating for site altitudes above 1000m amsl with temperature reduction of 10K / 1000m
Lifetime	Motor: ≥ 20.000 operating hours Actuator: (→ # 44)
Insulation class motor	F nach IEC 60085 (UL 1446 class F).
Approvals	Motor: CE, cUR, EAC, RoHS Actuator: RoHS

NOTE

Technical data for the motors and actuators can be found in the Appendix (→ # 35).

1.4.2 Standard equipment and options

Actuators

- Standard: no protection for self-rotating in vertical applications. All actuators are optionally available with internal anti-rotate protection. Contact our application department.
- Standard backlash (see technical data (→ # 43)). Lower backlash due to preselected balls on special request.
- Standard: no ROD guidance. Applications, which provide a radial force to the rod require a rod guidance. Contact our application department.
- External limit switches can be mounted to the actuator (does not match hygienic requirements).

Motors

Motor options see motor documentation.

1.4.3 Protection class IP69K

Protection class IP69K has been created for high pressure and high temperature cleaning according to DIN 40050-9.

Code "6" defines the resistancy against dust.

Code "9" defines the resistancy against short distance high pressure cleaning.

Code "K" defines the temperature of the cleaning liquid.

1.4.4 Motor temperature sensor

The motor is fitted with an electrically isolated temperature sensor (see motor documentation, rated temperature 155°C ± 5%). The sensor does not provide any protection against short, heavy overloading. Provided that our configured feedback cables are used, the sensor is integrated into the monitoring system of the used servo drive.

1.4.5 Holding brake

The motors are optionally available with a holding brake. A spring applied brake (24V DC) is integrated into the motors. When this brake is de-energized it blocks the rotor.



WARNING

If there is a suspended load (vertical axes), the motor's holding brake is released, and, at the same time, the servo drive does not produce any output, the load may fall down! Risk of injury for the personnel operating the machine. Functional safety in case of hanging loads (vertical axes) can be ensured only by using an additional, external, mechanical brake.

NOTICE

The holding brakes are designed as standstill brakes and are not suited for repeated operational braking. In the case of frequent, operational braking, premature wear and failure of the holding brake is to be expected.

1.4.6 Hygienic design

AKMH motors

NOTE

Any direct contact with unpacked foodstuffs is not permitted.

Application Area:	Foodstuffs and drinks industry, no direct contact with unpacked foodstuffs. Pharmazeutical, medical laboratories.
Example:	Cutting, packing and filling without direct contact with foodstuffs. Motor laterally or below the food.
Standards:	UL, CE, RoHs, according to EN ISO 14159 and EN 1672-2
Surface:	Stainless steel 1.4404, roughness < 0.8 µm
Immunity:	Against tested industrial cleaning agent, corrosion-proof
Degree of protection:	IP69K
Mounting screw:	Stainless steel 1.4404, sealant FDA 21 CFR 175.300
O-Ring:	EPDM, FDA 21 CFR 177.2600
Shaft:	Stainless steel 1.4404
Rotary shaft seal:	Mineral filled PTFE, single lip, mineral: FDA 21 CFR 175.300, PTFE: FDA 21 CFR 177.1500
Bearing grease:	food-grade as per FDA 21 CFR 178.3570
Cable gland:	Stainless steel 1.4404, Silicone seal FDA 21 CFR 177.2600
Cable tube:	Silicone FDA 21 CFR 177.2600
Name plate:	Laser marked in housing

ERD linear actuators

NOTE

Any direct contact with unpacked foodstuffs is not permitted.

Application Area:	Foodstuffs and drinks industry, no direct contact with unpacked foodstuffs. Pharmazeutical, medical laboratories.
Example:	Cutting, packing and filling without direct contact with foodstuffs.
Standards:	RoHs
Surface:	Stainless steel AISI 300
Immunity:	Against industrial cleaning agent, corrosion-proof
Degree of protection:	IP69K
Seals:	Polyurethane
Rod:	Stainless steel 300 series
Bearing grease:	Mobil grease XHP222
Name plate:	Laser marked in housing

1.5 Mechanical Installation

NOTE

Dimension drawings can be found in the appendix (→ # 45).

1.5.1 Mount the motor

Kollmorgen offers an mounting service for mounting the selected motor to the linear actuator.

1.5.2 Assemble the linear actuator

NOTICE

In case of vertical applications and switched off drive the rod is not blocked in the standard version against self rotating. The load can be hold only, if a motor holding brake (→ # 13) is used or the internal anti-rotate option is built into the actuator. All actuators are optionally available with internal anti-rotate protection. Contact our application department.

Important Notes

- Protect the actuator from unacceptable stresses. During transport and handling no components must be damaged.
- The site must be free of conductive and aggressive material. For mounting with rod end upwards make sure that no liquids can enter the bearings. If an encapsulated assembly is required, please consult Kollmorgen beforehand.
- Ensure an unhindered ventilation of the motor and observe the permissible ambient and flange temperatures. For ambient temperatures above 40°C please consult our applications department beforehand. Ensure that there is adequate heat transfer in the surroundings and the gearbox flange.
- The motor is damaged if the maximum permitted temperature (about 90°C) of the motor is exceeded.
 - Ensure that the max. permitted temperature (about 90°C) of the motor is not exceeded during operation.
 - Measure the temperature in the center of the motor housing at maximum load. The motor has reached thermally stable conditions once the temperature increase does not exceed 2K/h.
 - Switch the machine off if the max. permitted temperature is exceeded and consult our customer support.
- The rod is especially vulnerable during storage and assembly - so avoid brute force.
- The rod must not be loaded from the side. Applications, which provide a radial force to the rod require a rod guidance. Contact our application department.

NOTICE

Kollmorgen recommends a reserve stroke of 25 mm added to your required application distance. That avoids the mechanics to be damaged by travelling against the travel limit with high speed.

1.6 Electrical Installation

NOTE

Use the wiring diagrams in the Installation and Setup Instructions of the servo drive which is used. Only staff qualified and trained in electrical engineering are allowed to wire up the used AKMH.

1.6.1 Important notes



DANGER

Always make sure that the motor is de-energized during assembly and wiring, i.e. no voltage may be switched on for any piece of equipment which is to be connected.

There is a risk of death or severe injury from touching exposed contacts. Ensure that the switch cabinet remains turned off (barrier, warning signs etc.). The individual voltages will only be turned on again during setup.

Never undo the electrical connections to the motor while it is energized. Risk of electric shock! In unfavorable circumstances, electric arcs can arise causing harm to people and damaging contacts.

A dangerous voltage, resulting from residual charge, can be still present on the capacitors several minutes after switch-off of the mains supply. Even when the motor is not rotating, control and power leads may be live. Measure the DC-link voltage and wait until it dropped below 50V.

NOTE

Carry out the wiring in accordance with the valid standards and regulations (for example EN 60204) .Incorrectly installed shielding leads to EMC interference and has an adverse effect on system function. The maximum cable length is 15m.

1.6.2 Wire color coding

Power	Color	Brake	Color
U	blue	BR+	red
V	brown	BR-	blue
W	black	-	-
PE	green/yellow	-	-

Feedback							
DSL	Color	SFD3	Color	SFD	Color	Resolver	Color
COM+	brown or blue	DATA+	white	DATA+	white	Ref+ R1	brown
COM-	white	DATA-	brown	DATA-	brown	Ref- R2	white
-	-	-	-	Up	red	TH+	violet
-	-	-	-	0V	blue	TH-	black
-	-	-	-	-	-	Sin+ S1	grey
-	-	-	-	-	-	Sin- S3	pink
-	-	-	-	-	-	Cos+ S2	yellow
-	-	-	-	-	-	Cos- S4	green

1.6.3 Connection options

The hybrid cable combines power and feedback signals and is connected inside the motor. The cable includes a tube for pressure compensation.

K and T	Single cable on the motor end. Cable prepared for AKD-B/P/T/M. Feedback connector is assembled, power lines and shield is prepared for connecting to the AKD (see AKD installation manual).
L	Two cables on the motor end. Cable with flying leads.

Depending on the application requirements you can select either standard (washdown) cabling or hygienic (food) cabling.

Code	Type	Cross section	Min. Bending radius	Remarks
K	Hybrid cable for non-food applications	$(4 \times 2.5 + 2 \times (2 \times 1.0) + t^*)$ $(4 \times 4.0 + 2 \times (2 \times 1.0) + t^*)$	150 mm 165 mm	SFD (K, T): 4 power lines, 4 signal lines, no brake lines
T	Hybrid cable with tube for food applications	$(4 \times 2.5 + 2 \times (2 \times 1.0) + t^*)$ $(4 \times 4.0 + 2 \times (2 \times 1.0) + t^*)$	150 mm 165 mm	DSL/SFD3 (K, T): 4 power lines, 2 signal lines, 2 brake lines
L	2 cables for non-food applications	$(4 \times 2.5 + t^*)$ or $(4 \times 4 + t^*)$ $(4 \times 2 \times 0.25 + t^*)$	150 or 165 mm 80 mm	Resolver (L): power 4 lines, resolver 8 lines

t*= inside tube for pressure compensation

1.6.3.1 Standard cabling (K,L)

Standard cable is usable in all applications except food grade applications. Observe the minimum bending radius (150mm respectively 165mm)

NOTICE

Compatibility of the cable to cleaning solutions used in the application should be evaluated before subjecting the cable to long-term exposure to chemicals. Using the motor in food-grade applications requires the tube option for the cable.

1.6.3.2 Tube cabling (T)

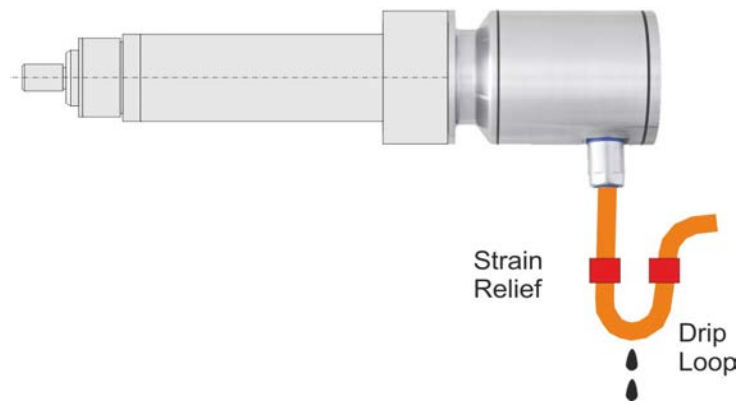
Silicone tubing protects the cable and electrical interfaces on these motors from exposure to cleaning solutions and avoids emissions from the motor cable. Observe the minimum bending radius (150mm respectively 165mm)

NOTICE

Exposure of the silicone tubing to strong mineral acids should be avoided. Compatibility of the silicone tubing with cleaning solutions used in the application should be evaluated before subjecting the silicone tubing to long-term exposure to chemicals. Avoid exposure of the silicone tubing with strong mechanical stress. After installation and at regular intervals check the tube for cracks or cuts.

1.6.4 Cable installation

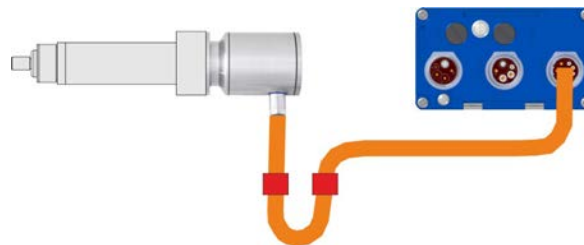
Mount the actuator, so that the motor cable exit in the “down” or lower hemisphere region to promote drainage after washdown. Create a drip loop so that any liquids or chemicals that spray or splash on to the cable will travel down to the loop and drip off (example ERD (LMI) with AKMH motor).



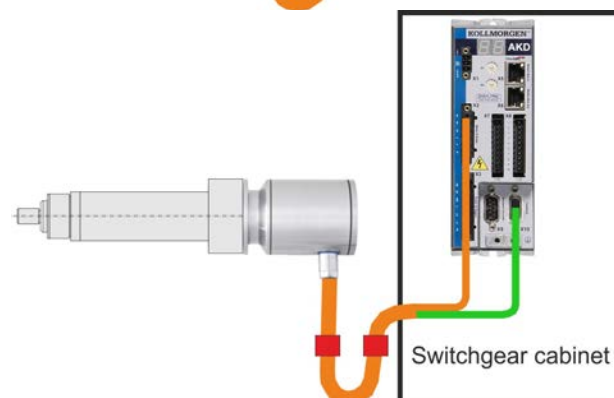
1.6.5 Guide for electrical installation

1. Check that the servo drive and motor match each other. Compare the rated voltage and rated current of the unit.
2. Take note of the no. of motor poles and the no. of resolver poles, and ensure that the correct setting is made in the servo amplifier which is used. An incorrect setting can lead to the destruction of the motor, especially with small motors.
 - If the motor must be connected to an AKD-B/P/T/M drive with 230V max. rated supply voltage, then the ferrule tips supplied on motor power wires must be trimmed by approximately 2 to 3 mm.
4. Ensure that there is proper earthing of the servo drive and the AKMH motor. For correct shielding and grounding refer to the drive instructions manual.
5. The shielding must be connected to the drive (refer to the drive instructions manual).
6. Connect up all system shielding via a wide surface-area contact (low impedance) and metallized connector housings or EMC-cable glands.

ERD (LMI) with AKMH and AKD-N



ERD (LMI) with AKMH and AKD-P



1.7 Setup

1.7.1 Important notes

NOTE

Only specialist personnel with extensive knowledge in the areas of electrical engineering / drive technology are allowed to commission the motion system consisting of drive, motor and actuator.


DANGER

Deadly voltages can occur, up to 900 V. Risk of electric shock! Check that all live connection points are safe against accidental contact.

Never undo the electrical connections to the motor when it is live. Risk of electric shock! The residual charge in the capacitors of the drive can produce dangerous voltages up to 10 minutes after the mains supply has been switched off.

Measure the DC-link voltage and wait until it dropped below 50 V.


CAUTION

The surface temperature of the motor can exceed 100°C. Danger of light burns! Check (measure) the temperature of the motor. Wait until the motor has cooled down below 40°C before touching it.


CAUTION

The drive performing unplanned movements during commissioning cannot be ruled out.

Make sure that, even if the drive starts to move unintentionally, no danger can result for personnel or machinery.

The measures you must take in this regard for your task are based on the risk assessment of the application.

NOTICE

Applications with very short hub (less than one revolution of the nut) require a longer distance movement (several revolutions of the nut) after 10 cycles. That allows the ball bearings in the nut to reposition.

1.7.2 Guide for setup

The procedure for setup is described as an example. A different method may be appropriate or necessary, depending on the application of the equipment.

1. Check the assembly and orientation of the actuator.
2. Check the wiring and connections to the motor and the servo drive. Check that the earthing is correct.
3. Test the function of the holding brake, if used. (apply 24 V, brake must be released).
4. Check whether the rod moves freely (release the brake, if necessary). Listen out for grinding noises.
5. Check that all the required measures against accidental contact with live and moving parts have been carried out.
6. Carry out any further tests which are specifically required for your system.
7. Now commission the drive according to the setup instructions for the servo drive. In multi-axis systems, individually commission each drive unit (drive, motor and actuator).

2 Deutsch

2.1 Allgemeines	20
2.1.1 Über dieses Handbuch	20
2.1.2 Verwendete Symbole	20
2.1.3 Verwendete Abkürzungen	20
2.2 Sicherheit	21
2.2.1 Das sollten Sie beachten	21
2.2.2 Bestimmungsgemäße Verwendung	23
2.2.3 Nicht bestimmungsgemäße Verwendung	23
2.2.4 Handhabung	24
2.3 Produktidentifizierung	26
2.4 Allgemeine technische Daten	28
2.4.1 Umgebungsbedingungen	28
2.4.2 Standardausrüstung und Optionen	28
2.4.3 Schutzart IP69K	28
2.4.4 Motortemperatur Sensor	28
2.4.5 Haltebremse	29
2.4.6 Hygienisches Design	29
2.5 Mechanische Installation	29
2.5.1 Anbau des Motors	30
2.5.2 Montage des Linearaktuators	30
2.6 Elektrische Installation	31
2.6.1 Wichtige Hinweise	31
2.6.2 Farbkodierung der Adern	31
2.6.3 Anschlussoptionen	32
2.6.4 Kabelinstallation	33
2.6.5 Leitfaden für die elektrische Installation	33
2.7 Inbetriebnahme	34
2.7.1 Wichtige Hinweise	34
2.7.2 Leitfaden für die Inbetriebnahme	34

2.1 Allgemeines

2.1.1 Über dieses Handbuch

Dieses Handbuch beschreibt den Hygienischen Linearaktuator ERD und den passenden Edelstahl Servomotor AKMH. Die am Aktuator montierbaren Servomotoren werden von einem Servoverstärker betrieben. Kollmorgen bietet eine Montageservice an. Für den Einbau in eine Maschine und die Inbetriebnahme beachten Sie alle Dokumentation der einzelnen Komponenten, bestehend aus:

- Betriebsanleitung des angebauten Servomotors (AKMH Motor)
- Betriebsanleitung des verwendeten Servoverstärkers
- Handbuch Bus-Kommunikation (z.B EtherCAT)
- Online Hilfe der Inbetriebnahmesoftware des Servoverstärkers
- Regionales Zubehörhandbuch

2.1.2 Verwendete Symbole

Symbol	Bedeutung
 GEFAHR	Weist auf eine gefährliche Situation hin, die, wenn sie nicht vermieden wird, zum Tode oder zu schweren, irreversiblen Verletzungen führen wird.
 WARNUNG	Weist auf eine gefährliche Situation hin, die, wenn sie nicht vermieden wird, zum Tode oder zu schweren, irreversiblen Verletzungen führen kann.
 VORSICHT	Weist auf eine gefährliche Situation hin, die, wenn sie nicht vermieden wird, zu leichten Verletzungen führen kann.
ACHTUNG	Dies ist kein Sicherheits-Symbol. Dieses Symbol weist auf eine Situation hin, die, wenn sie nicht vermieden wird, zu Beschädigung von Sachen führen kann.
INFO	Dies ist kein Sicherheits-Symbol. Dieses Symbol weist auf wichtige Informationen hin.
	Warnung vor einer Gefahr (allgemein). Die Art der Gefahr wird durch den nebenstehenden Wartext spezifiziert.
	Warnung vor gefährlicher elektrischer Spannung und deren Wirkung.
	Warnung vor heißer Oberfläche.
	Warnung vor hängender Last.

2.1.3 Verwendete Abkürzungen

INFO Die Symbolik (→ # 29) bedeutet in diesem Dokument : "siehe Seite 29".

2.2 Sicherheit

Dieses Kapitel hilft Ihnen, Gefahren zu erkennen und zu vermeiden.

2.2.1 Das sollten Sie beachten

Fachpersonal erforderlich!

Nur qualifiziertes Fachpersonal darf Arbeiten wie Transport, Montage, Inbetriebnahme und Instandhaltung ausführen. Qualifiziertes Fachpersonal sind Personen, die mit Transport, Aufstellung, Montage, Inbetriebnahme und Betrieb von Linearaktuatoren und Motoren vertraut sind und über die ihrer Tätigkeit entsprechenden Mindestqualifikationen verfügen:

- Transport: nur durch Personal mit Kenntnissen in der Behandlung elektrostatisch gefährdeter Bauelemente
- Hygiene: nur durch Fachleute mit Kenntnissen der für den Anwendungsbereich gültigen Hygienevorschriften.
- Mech. Installation: nur durch Fachleute mit maschinenbautechnischer Ausbildung.
- Elektr. Installation: nur durch Fachleute mit elektrotechnischer Ausbildung.
- Inbetriebnahme: nur durch Fachleute mit weitreichenden Kenntnissen in den Bereichen Elektrotechnik / Antriebstechnik

Das Fachpersonal muss ebenfalls IEC 60364 / IEC 60664 und nationale Unfallverhütungsvorschriften kennen und beachten.

Dokumentation lesen!

Lesen Sie vor der Montage und Inbetriebnahme die vorliegende Dokumentation. Falsches Handhaben des Servomotors und des Linearaktuators kann zu Personen- oder Sachschäden führen. Der Betreiber muss daher sicherstellen, dass alle mit Arbeiten am Linearaktor betrauten Personen die Handbücher der Komponenten gelesen und verstanden haben und dass die Sicherheitshinweise in diesem Safety Guide beachtet werden.

Technische Daten beachten!

Halten Sie die technischen Daten und die Angaben zu den Anschlussbedingungen (Typenschild und Dokumentation) ein. Wenn zulässige Spannungswerte oder Stromwerte überschritten werden, können die Motoren z.B. durch Überhitzung geschädigt werden.

Risikobeurteilung erstellen!

Der Maschinenhersteller muss eine Risikobeurteilung für die Maschine erstellen und geeignete Maßnahmen treffen, dass unvorhergesehene Bewegungen nicht zu Schäden an Personen oder Sachen führen können. Aus der Risikobeurteilung leiten sich eventuell auch zusätzliche Anforderungen an das Fachpersonal ab.

Sicher transportieren

Heben und bewegen Sie Linearaktuatoren mit mehr als 20kg Gewicht nur mit Hilfe von Hebevorrichtungen. Heben ohne Hilfsmittel kann zu Rückenverletzungen führen.



Heiße Oberfläche!

Während des Betriebes können Motoren ihrer Schutzart entsprechend heiße Oberflächen besitzen. Leichte Verbrennungsgefahr! Die Oberflächentemperatur kann 100°C überschreiten. Messen Sie die Temperatur und warten Sie, bis der Motor auf 40°C abgekühlt ist, bevor Sie ihn berühren.



Erdung! Hohe Spannungen!

Stellen Sie die ordnungsgemäße Erdung des Motors mit der PE-Schiene im Schaltschrank als Bezugspotential sicher. Ohne niederohmige Erdung ist keine personelle Sicherheit gewährleistet und es besteht Lebensgefahr durch elektrischen Schlag. Leistungsanschlüsse können Spannung führen, auch wenn sich der Linearaktuator nicht bewegt.

Ziehen Sie keine Stecker während des Betriebs. Es besteht die Gefahr von Tod oder schweren gesundheitlichen Schäden beim Berühren freiliegender Kontakte. In ungünstigen Fällen können Lichtbögen entstehen und Personen und Kontakte schädigen.

Warten Sie nach dem Trennen des Antriebs von den Versorgungsspannungen mehrere Minuten (siehe Betriebsanleitung des verwendeten Servoverstärkers), bevor Sie spannungsführende Teile (z.B. Kontakte, Gewindebolzen) berühren oder Anschlüsse lösen.



Hängende Lasten sichern!

Eingebaute Haltebremsen sind nicht funktional sicher. Insbesondere bei hängender Last (Vertikalachsen) kann die funktionale Sicherheit nur mit einer zusätzlichen, externen mechanischen Bremse erreicht werden.

Chemische Verträglichkeit der Motorleitungen bewerten!

Bewerten Sie vor dem Langzeiteinsatz die Verträglichkeit der verwendeten Reinigungsmittel mit dem Motorkabel. Langfristige Exposition des Motorkabels mit unverträglichen Chemikalien kann zur Kontaminierung des Produkts, Ausfall des Motors und Stromschlaggefahr durch freiliegende stromführende Teile des Motorkabels führen.

Chemische Verträglichkeit des optionalen Kabelschlauchs bewerten!

Der optionale Silikonschlauch schützt die Kabel und elektrische Schnittstellen gegenüber Reinigungslösungen und verhindert Emissionen aus dem Mantel des Motorkabels. Bewerten Sie vor dem Langzeiteinsatz die Verträglichkeit der verwendeten Reinigungsmittel mit dem Silikonschlauch. Setzen Sie den Silikonschlauch keinen starken Mineralsäuren aus. Langfristige Exposition der Silikonschlauch mit unverträglichen Chemikalien kann zur Kontaminierung des Produkts, Ausfall des Motors und Stromschlaggefahr durch freiliegende stromführende Teile des Motorkabels führen.

2.2.2 Bestimmungsgemäße Verwendung

- Die Linearaktuatoren und Servomotoren werden als Bauteile in elektrische Anlagen oder Maschinen eingebaut und dürfen nur als integrierte Bauteile der Anlage in Betrieb genommen werden.
- Linearaktuatoren der Serie ERD mit AKMH Servomotoren sind insbesondere als Antrieb für Maschinen in den Bereichen Nahrungsmittel, Kosmetik, Pharmazie, Medizin und ähnliche mit hohen Ansprüchen an die Hygiene und Dynamik konzipiert.
- Der Servomotor sollte derart an den Linearaktuator montiert werden, dass das Motorkabel zur Seite aus dem Motor austritt. Das Kabel sollte in einem Bogen verlegt werden, damit Reinigungsflüssigkeit abtropfen kann.
- Bei Montage des Motors an den Linearaktuator muss zur Abdichtung des Montageflansches der O-Ring und Dichtungsschrauben (Befestigungsset) für die Motorbefestigung benutzt werden.
- Der Betrieb von der Linearaktuatoren ist in Applikationen mit indirektem Kontakt zu Lebensmitteln erlaubt. In diesen Anwendungen muss das Motorkabel im Silikonschlauch geschützt werden (→ # 32).
- Sie dürfen die Linearaktuatoren nur unter Berücksichtigung der in dieser Dokumentation definierten Umgebungsbedingungen betreiben.
- Der Betrieb der Linearaktuatoren ist in Umgebungen mit ätzenden Säuren und Laugen unter Berücksichtigung der im Kapitel Hygienisches Design (→ # 29) definierten Bedingungen erlaubt.
- Die Motoren der Serie AKMH sind ausschließlich dazu bestimmt, von Kollmorgen Servoverstärkern drehzahl- und/oder drehmomentgeregelt angesteuert zu werden.
- Der in die Motorwicklungen eingebaute Thermoschutzsensor muss ausgewertet und überwacht werden.
- In die Motoren eingebaute Haltebremsen sind als Stillstandsbremsen ausgelegt und für dauernde, betriebsmäßige Abbremsvorgänge ungeeignet.

INFO

Nutzen Sie den KollmorgenMontageservice.

2.2.3 Nicht bestimmungsgemäße Verwendung

- Der Betrieb von AKMH Servomotoren direkt am Netz ist verboten.
- AKMH Servomotoren und ERD Linearaktuatoren dürfen nicht in Applikationen mit dauerndem, direkten Kontakt mit Lebensmitteln eingesetzt werden.
- Standard Motorkabel sind nicht ausreichend für die Installation im indirekten Kontakt mit Lebensmitteln. Beim Einsatz in diesen Applikation muss das Motorkabel im Silikonschlauch geschützt werden (siehe Anschlussoptionen (→ # 32).
- Der Betrieb von AKMH Servomotoren in explosionsgefährdeten Bereichen ist verboten.
- AKMH Servomotoren und ERD Linearaktuatoren dürfen nicht in Reinraum Anwendungen eingesetzt werden.
- Der bestimmungsgemäße Betrieb des Servo-Linearactuators ist untersagt, wenn die Maschine, in die er eingebaut wurde,
 - nicht den Bestimmungen der EG Maschinenrichtlinie entspricht,
 - nicht die Bestimmung der EMV-Richtlinie erfüllt,
 - nicht die Bestimmung der Niederspannungs-Richtlinie erfüllt.
- Eingebaute Haltebremsen alleine dürfen nicht für die Sicherstellung der funktionalen Sicherheit benutzt werden.

2.2.4 Handhabung

Transport

- Klimaklasse 2K3 nach EN61800-2, IEC 60721-3-2.
- Temperatur: -25..+70°C, max. 20K/Stunde schwankend.
- Luftfeuchtigkeit: relative Feuchte 5% ... 95% nicht kondensierend.
- Nur von qualifiziertem Personal in der Original-Verpackung des Herstellers.



VORSICHT

Beachten Sie das Produktgewicht. Heben und bewegen Sie Produkte mit mehr als 20kg Gewicht nur mit Hilfe von Hebevorrichtungen. Heben ohne Hilfsmittel kann zu Rückenverletzungen führen. Benutzen Sie zum Beispiel einen Hebekran mit Transportgurten.

ACHTUNG

Transportieren Sie den Aktuator nur mit eingefahrener Hubstange. Positionieren Sie keinen Transportgurt an der Hubstange. Optimale Positionierungspunkte für Transportgurte oder ähnliches finden Sie in den "Dimension Drawings" (→ # 45), "XX"-Markierung.

- Vermeiden Sie harte Stöße, insbesondere auf die Hubstange.
- Überprüfen Sie bei beschädigter Verpackung den Motor und den Linearaktuator auf sichtbare Schäden. Informieren Sie den Transporteur und gegebenenfalls den Hersteller.

Verpackung

- Karton mit Schutzelementen.
- Den Kunststoffanteil können Sie an den Lieferanten zurückgeben.
- Maximale Stapelhöhe: 4 Kartons.

INFO

Verpackungen horizontal stapeln (Wellenende zur Seite, nicht nach oben/unten).

Lagerung

- Klimaklasse 1K4 nach EN61800-2, IEC 60721-3-2 .
- Lagertemperatur: -25...+55°C, max. 20K/Stunde schwankend.
- Luftfeuchtigkeit: relative Feuchte 5% ... 95% nicht kondensierend.
- Nur in der Originalverpackung des Herstellers lagern.
- Max. Stapelhöhe: 4 Kartons.
- Lagerdauer: ohne Einschränkung.

Reinigung

- Reinigung nur von qualifiziertem Personal.
- Reinigung nur bei ausgeschaltetem Antriebssystem.
- Beachten Sie die Grenzen des IP69K Standards für Druck, Temperatur, Winkel und Abstand des Reinigungsmittelstrahls.
- Beachten Sie die Vorgaben für die chemische Verträglichkeit.
- Verwenden Sie keine Drahtbürsten oder Schaber zur Reinigung der Aktuatoroberfläche und der Kabel. Entfernen Sie Schmutz durch Abspritzen (IP69K Grenzen einhalten) oder Abwischen.

Wartung

- Wartung nur von qualifiziertem Personal
- Bei normalem Betrieb sind Motor und Aktuator nahezu wartungsfrei. Einige Komponenten sollten jedoch regelmäßig überprüft werden.
 - Jährlich: Kabel und Schlauchmaterial (sofern verwendet) auf Beschädigungen prüfen. Bei Schnitten oder Beschädigungen austauschen.
 - Jährlich: prüfen auf korrekten Sitz der O-Ringe, sichtbare Abnutzung und Beschädigungen, die die Funktion beeinträchtigen könnten. Bei Beschädigungen die O-Ringe (Flanschdichtung, Dichtung Abschlusskappe) austauschen. Wenn der O-Ring zwischen Motor-Flansch und Motorgehäuse beschädigt ist, muss der Motor ersetzt werden.
 - Jährlich bzw. alle 2500 Betriebsstunden: prüfen auf Kugellagergeräusche im Motor. Wenn Sie Geräusche feststellen, darf der Linearaktuator nicht weiterbetrieben werden, die Lager müssen erneuert werden (vom Hersteller).
 - Nach 20.000 Betriebsstunden unter Nennbedingungen: Erneuern der Kugellager (Motor an Hersteller schicken).
- Öffnen der Geräte bedeutet den Verlust der Gewährleistung.

ACHTUNG

Der Aktuator nimmt Schaden, wenn er nicht ausreichend geschmiert ist. Die Aktuatoren verfügen über eine lebenslange Schmierung. Soll der Aktuator jenseits seiner prognostizierten Lebensdauer (→ # 44) betrieben werden, können die Typen ERD25 und ERD30 vom Hersteller mit neuem Schmierfett versehen werden. Die Typen ERD 15 und ERD20 müssen ausgetauscht werden.

ACHTUNG

Bei Applikationen mit sehr kurzen Verfahrwegen (weniger als 1 Umdrehung der Mutter) ist es notwendig, nach 10 Zyklen eine längere Bewegungen (mehrere Umdrehungen der Mutter). Damit werden die Kugeln in der Mutter wieder korrekt positioniert.

Reparatur, Entsorgung

Reparaturen des Motors und Linearaktuators darf nur der Hersteller durchführen.

INFO

Aktuatoren ERD25 und ERD30 können vom Hersteller repariert werden, die Typen ERD15 und ERD20 sind nicht reparabel und müssen ausgetauscht werden.

Öffnen der Geräte bedeutet Verlust der Gewährleistung. Gemäß der WEEE-2002/96/EG-Richtlinien nehmen wir Altgeräte und Zubehör zur fachgerechten Entsorgung zurück, sofern die Transportkosten vom Absender übernommen werden. Schicken Sie den Geräte zur Reparatur bzw. Entsorgung an:

KOLLMORGEN Europe GmbH, Pempelfurtstr. 1, D-40880 Ratingen

2.3 Produktidentifizierung

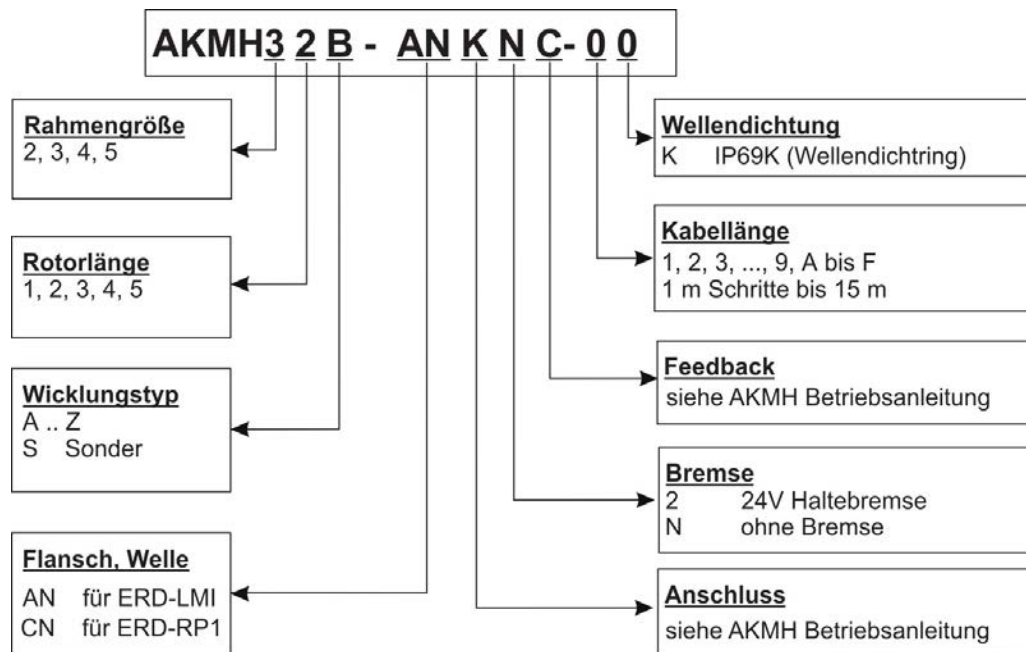
Auf Motor und Linearaktuator sind die jeweiligen Typenschilder eingezt.

Referenzliste

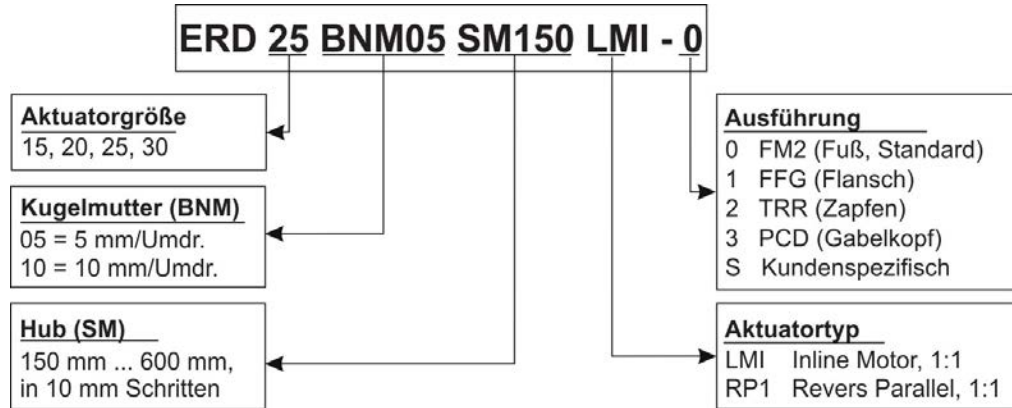
Aktuator	Motor		Aktuator	Motor
ERD15-LMI	AKMH2xy-AN		ERD15-RP1	AKMH2xy-CN
ERD20-LMI	AKMH3xy-AN		ERD20 RP1	AKMH3xy-CN
ERD25-LMI	AKMH4xy-AN		ERD25-RP1	AKMH4xy-CN
ERD30-LMI	AKMH5xy-AN		ERD30-RP1	AKMH5xy-CN

x = Motorlänge, y = Wicklung (siehe Betriebsanleitung AKMH Motor)

AKMH Motor Typenschlüssel



ERD Linearaktuator Typenschlüssel



ERD Aktuortypen

Typ	Beschreibung	Prinzipdarstellung
LMI	linear, für AKMH Motoren mit AN Flansch	
RP1	invers parallel, für AKMH Motoren mit CN Flansch	

ERD Montagearten (Ausführungen)

Maße finden Sie im Anhang/Appendix. Wir bieten vier Befestigungsvarianten an:

Option	Prinzipdarstellung LMI	Prinzipdarstellung RP1
FM2 Fuß- montage		
FFG Flansch- montage		
TRR Zapfen- montage		
PCD Gabelkopf- montage	-	

2.4 Allgemeine technische Daten

2.4.1 Umgebungsbedingungen

Umgebungstemperatur (bei Nenndaten)	0...+40°C bei Aufstellhöhe bis 1000m über NN Sprechen Sie bei Umgebungstemperaturen über 40°C mit unserer Applikationsabteilung.
Leistungsreduzierung (Ströme und Momente)	1%/K im Bereich 40°C...50°C bis 1000m über NN Bei Aufstellhöhen über 1000m über NN und 40°C 6% bei 2000m über NN 17% bei 3000m über NN 30% bei 4000m über NN 55% bei 5000m über NN Keine Leistungsreduzierung bei Aufstellhöhen über 1000m über NN und Temperaturreduzierung um 10K / 1000m
Lebensdauer	Motor: ≥ 20.000 Betriebsstunden Aktuator: (→ # 44)
Isolierstoffklasse Motor Zulassungen	F nach IEC 60085 (UL 1446 class F). Motor: CE, cUR, EAC, RoHS Aktuator: RoHS

INFO

Technische Daten der Motoren und Aktuatoren finden Sie im Anhang/Appendix (→ # 35).

2.4.2 Standardausrüstung und Optionen

Aktuatoren

- Standard ohne Schutz vor Eigenrotation (Anti-Rotate) in vertikalen Applikationen. Optional sind alle Linearaktuatoren mit der Option "Anti-Rotating" erhältlich. Sprechen Sie mit unserer Applikationsabteilung.
- Standard Flankenspiel (siehe technische Daten "Backlash" (→ # 43)). Niedrigeres Flankenspiel durch selektierte Kugeln auf Anfrage.
- Standard ohne Führung der Hubstange. Bei Applikation, die eine seitliche (radiale) Kraft ausüben, bieten wir eine Führung der Stange an. Sprechen Sie mit unserer Applikationsabteilung.
- Endschalter extern an den Aktuator montierbar (entsprechen nicht den Hygienestandards)

Motoren

Motoroptionen siehe Motordokumentation.

2.4.3 Schutzart IP69K

Die Schutzklasse IP69K wurde definiert für Reinigung mit hohem Druck und hoher Temperatur gemäß DIN 40050-9.

Kode "6" beschreibt die Resistenz gegen Staub,

Kode "9" beschreibt die Resistenz gegen Hochdruckreinigung aus kurzer Distanz,

Kode "K" beschreibt die Temperatur des Reinigungsmittels.

2.4.4 Motortemperatur Sensor

In der Standardausführung ist jeder Motor mit einem potentialfreien Temperatursensor ausgestattet (siehe Betriebsanleitung des Motors). Der Schalterpunkt liegt bei 155°C ± 5%. Schutz gegen kurzzeitige, sehr hohe Überlastung bietet der Sensor nicht. Der Sensor muss in das Überwachungssystem der verwendeten Servoverstärker integriert werden.

2.4.5 Haltebremse

Die Servomotoren sind wahlweise mit eingebauter Haltebremse erhältlich. Die Federdruckbremse (24V DC) blockiert im spannungslosen Zustand den Rotor des Motors.



WARNUNG

Wenn bei hängender Last (Vertikalachsen) die Motorhaltebremse gelöst ist und gleichzeitig der Servoantrieb keine Leistung erbringt, kann die Last herunterfallen! Verletzungsgefahr für das Bedienpersonal der Maschine. Die funktionale Sicherheit kann bei vertikalen Achsen nur mit einer zusätzlichen, externen mechanischen Bremse erreicht werden.

ACHTUNG

Die Haltebremsen sind als Stillstandsbremsen ausgelegt und für dauernde, betriebsmäßige Abbremsvorgänge ungeeignet. Bei häufiger betriebsmäßiger Abbremsung ist ein vorzeitiger Verschleiß und Ausfall der Haltebremse wahrscheinlich.

2.4.6 Hygienisches Design

AKMH Motoren

INFO

Ein direkter Kontakt zu unverpackten Lebensmitteln ist nicht zulässig.

Einsatzgebiet:	Lebensmittel- und Getränkeindustrie, kein direkter Kontakt mit unverpackten Lebensmitteln.
Beispiel:	Schneiden, Verpacken und Füllen ohne direkten Kontakt zum Lebensmittel, Motor seitlich oder unter dem Lebensmittel.
Standards:	UL, CE, RoHs, DIN EN ISO 14159 und DIN EN 1672-2
Oberfläche:	Edelstahl 1.4404, Rauheit < 0,8 µm
Beständigkeit:	Gegen geprüfte Reinigungsmittel, korrosionsfest
Schutzart:	IP69K
O-Ring:	EPDM, FDA 21 CFR 177.2600
Welle:	Edelstahl 1.4404
Wellendichtring:	Mineralisches PTFE, einlippig, Mineral: FDA 21 CFR 175.300 , PTFE: FDA 21 CFR 177.1500
Lagerfett:	Lebensmitteltauglich, gemäß FDA 21 CFR 178.3570
Kabeldurchführung:	Edelstahl 1.4404, Silikondichtung FDA 21 CFR 177.2600
Kabelschlauch:	Silikon FDA 21 CFR 177.2600
Typenschild:	Gehäuse laserbeschriftet

ERD Linearaktuatoren

INFO

Ein direkter Kontakt zu unverpackten Lebensmitteln ist nicht zulässig.

Einsatzgebiet:	Lebensmittel- und Getränkeindustrie, kein direkter Kontakt mit unverpackten Lebensmitteln.
Beispiel:	Schneiden, Verpacken, Füllen ohne direkten Kontakt zum Lebensmittel.
Standards:	RoHs
Oberfläche:	Edelstahl AISI 300
Beständigkeit:	Gegen industrielle Reinigungsmittel, korrosionsfest
Schutzart:	IP69K
Dichtungen:	Polyurethan
Hubstange:	Edelstahl Serie 300
Lagerfett:	Mobil Fett XHP222
Typenschild:	Gehäuse laserbeschriftet

2.5 Mechanische Installation

INFO

Maßzeichnungen finden Sie im Anhang (→ # 45).

2.5.1 Anbau des Motors

Kollmorgen bietet einen Montageservice für den Anbau des gewählten Motors an den Linearaktuator an.

2.5.2 Montage des Linearaktuators

ACHTUNG

Bei vertikalen Applikationen und ausgeschaltetem Antrieb kann der Aktuator die Last nur halten, wenn entweder der Motor mit einer Haltebremse (→ # 29) ausgerüstet ist, oder der Aktuator mit dem internen Rotationsschutz (Anti-Rotate). Optional sind alle Linearaktuatoren mit der Option "Anti-Rotating" erhältlich. Sprechen Sie mit unserer Applikationsabteilung.

Wichtige Hinweise

- Schützen Sie die Aktuatoren vor unzulässiger Beanspruchung. Bei Transport und Handhabung dürfen keine Bauelemente beschädigt werden.
- Der Einbauort muss frei von leitfähigen und aggressiven Stoffen sein. Bei Montage mit Hubstangenende nach oben darf keine Flüssigkeit in die Lager eindringen. Bei gekapseltem Einbau sprechen Sie zunächst mit der Kollmorgen Applikationsabteilung.
- Stellen Sie die ungehinderte Belüftung der Motoren sicher und beachten Sie die zulässige Umgebungs- und Flanschtemperatur. Bei Umgebungstemperaturen über 40°C sprechen Sie mit unserer Applikationsabteilung.
- Der Motor wird zerstört, wenn die maximal zulässige Temperatur (ca. 90°C) häufig überschritten wird.
 - Stellen Sie sicher, dass die maximal zulässige Temperatur (ca. 90°C) im Betrieb nicht überschritten wird.
 - Messen Sie die Temperatur an der Mitte des Motorgehäuses bei maximaler Last. Der Motor hat einen stabilen Zustand erreicht, wenn die Temperatur nicht mehr als 2K/h steigt.
 - Schalten Sie die Maschine aus, wenn die maximal zulässige Temperatur erreicht ist und kontaktieren Sie unsere Applikationsabteilung.
- Die Hubstange ist bei Lagerung und Einbau gefährdet — vermeiden Sie daher rohe Kraftanwendung.
- Die Hubstange darf nicht von der Seite belastet werden. Bei Applikation, die eine seitliche (radiale) Kraft ausüben, muss eine Führung der Stange eingesetzt werden. Sprechen Sie mit unserer Applikationsabteilung.

ACHTUNG

Kollmorgen empfiehlt eine Reserve von 25 mm Aktuatorhub zusätzlich zum erforderlichen Applikationshub. Dies verhindert, dass die Mechanik mit hoher Geschwindigkeit in den Anschlag fährt und der Aktuator beschädigt wird.

2.6 Elektrische Installation

INFO

Nutzen Sie die Anschlusspläne in der Betriebsanleitung des verwendeten Servoverstärkers. Nur Fachleute mit elektrotechnischer Ausbildung dürfen den angebauten Motor anschließen.

2.6.1 Wichtige Hinweise



GEFAHR

Verdrahten Sie die Motoren immer im spannungsfreien Zustand, d.h. keine der Betriebsspannungen eines anzuschließenden Gerätes darf eingeschaltet sein. Es besteht die Gefahr von Tod oder schweren gesundheitlichen Schäden beim Berühren freiliegender Kontakte. Sorgen Sie für eine sichere Freischaltung des Schaltschranks (Sperrschalter, Warningschilder etc.). Erst bei der Inbetriebnahme werden die einzelnen Spannungen eingeschaltet.

Lösen Sie die elektrischen Anschlüsse der Motoren nie unter Spannung. Gefahr durch elektrischen Schlag! In ungünstigen Fällen können Lichtbögen entstehen und Personen und Kontakte schädigen.

Restladungen in den Kondensatoren des Servoverstärkers können mehrere Minuten nach Abschalten der Netzspannung gefährliche Werte aufweisen. Leistungsanschlüsse können Spannung führen, auch wenn sich der Aktuator nicht bewegt. Messen Sie die Spannung im Zwischenkreis und warten Sie, bis die Spannung < 50V ist.

INFO

Führen Sie die Verdrahtung gemäß den gültigen regionalen Normen und Vorschriften aus (zum Beispiel EN 60204). Falsch installierte Abschirmung führt zu EMV Störungen und hat negative Auswirkungen auf die Systemfunktion. Die maximale Kabellänge ist 15 m.

2.6.2 Farbkodierung der Adern

Leistung	Farbe	Bremse	Farbe
U	blau	BR+	rot
V	braun	BR-	blau
W	schwarz	-	-
PE	grün/gelb	-	-

Feedback							
DSL	Farbe	SFD3	Farbe	SFD	Farbe	Resolver	Farbe
COM+	braun oder blau	DATA+	weiß	DATA+	weiß	Ref+ R1	braun
COM-	weiß	DATA-	braun	DATA-	braun	Ref- R2	weiß
-	-	-	-	Up	rot	TH+	violett
-	-	-	-	0V	blau	TH-	schwarz
-	-	-	-	-	-	Sin+ S1	grau
-	-	-	-	-	-	Sin- S3	pink
-	-	-	-	-	-	Cos+ S2	gelb
-	-	-	-	-	-	Cos- S4	grün

2.6.3 Anschlussoptionen

Das Hybridkabel beinhaltet Adern für Leistung und Feedback und einen Schlauch zum Druckausgleich des Innendrucks im Motor.

K und T	Einzelnes Kabel (Hybridkabel) am Motor. Kabel für Direktanschluss an AKD-B/P/T/M. Feedback Stecker angeschlagen, Leistungsadern und Schirm vorbereitet für den Anschluss an den AKD (siehe Betriebsanleitung des Servoverstärkers).
L	Zwei Kabel am Motor. Kabel mit losen Aderenden, unkonfektioniert.

Abhängig von den Anforderungen der Applikation können Sie zwischen Standardverdrahtung (washdown) oder Verdrahtung für hygienisches Umfeld (Lebensmittel) wählen.

Kode	Type	Querschnitt	Min. Biegeradius	Bemerkungen
K	Hybridkabel für Nicht-Lebensmittel Anwendungen	$(4 \times 2,5 + 2 \times (2 \times 1,0) + t^*)$ $(4 \times 4,0 + 2 \times (2 \times 1,0) + t^*)$	150 mm 165 mm	SFD (K,T): 4 Leistungsadern, 4 Signaladern, keine Bremsadern
T	Hybridkabel im Schlauch für Lebensmittel Anwendungen	$(4 \times 2,5 + 2 \times (2 \times 1,0) + t^*)$ $(4 \times 4,0 + 2 \times (2 \times 1,0) + t^*)$	150 mm 165 mm	DSL/SFD3 (K,T) 4 Leistungsadern, 2 Signaladern, 2 Bremsadern
L	2 Kabel für Nicht-Lebensmittel Anwendungen	$(4 \times 2,5 + t^*) / (4 \times 4 + t^*)$ $(4 \times 2 \times 0,25 + t^*)$	150 / 165 mm 80 mm	Resolver (L): Leistung 4 Adern, Resolver 8 Adern

t* interner Schlauch für Druckausgleich

2.6.3.1 Standard Verdrahtung (K,L)

Die standard Verdrahtung kann in allen Anwendungen eingesetzt werden, nur nicht im Lebensmittelbereich. Beachten Sie den minimalen Kabelbiegeradius (150mm bzw. 165mm)

ACHTUNG

Bewerten Sie vor dem Langzeiteinsatz die Verträglichkeit der verwendeten Reinigungsmittel mit dem Motorkabel. Im Lebensmittelbereich muss die Schlauchoption für das Kabel verwendet werden.

2.6.3.2 Schlauch Verdrahtung (T)

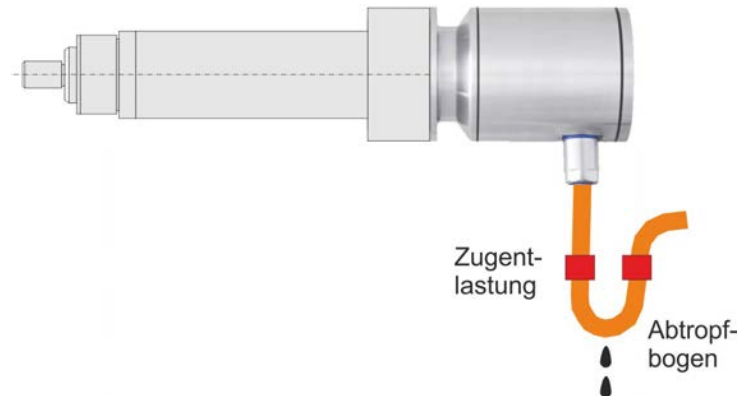
Ein Silikonschlauch schützt das Kabel und die elektrischen Anschlüsse im Motor vor den Reinigungsmitteln und verhindert Emissionen aus dem Mantel des Motorkabels. Beachten Sie den minimalen Kabelbiegeradius (150mm bzw. 165mm)

ACHTUNG

Setzen Sie den Silikonschlauch keinen starken Mineralsäuren aus. Bewerten Sie vor dem Langzeiteinsatz die Verträglichkeit der verwendeten Reinigungsmittel mit dem Silikonschlauch. Setzen Sie den Silikonschlauch keinen starken mechanischen Belastungen aus. Nach der Montage und in regelmäßigen Zeitabständen sollte der Schlauch auf Risse oder Schnitte überprüft werden.

2.6.4 Kabelinstallation

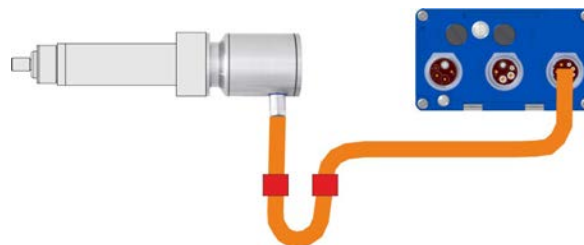
Der Aktuator sollte derart montiert werden, dass das Motorkabel zur Seite oder nach unten aus dem Motor austritt. Das Kabel sollte in einem Bogen verlegt werden, damit Reinigungsflüssigkeit abtropfen kann (Beispiel ERD (LMI) mit AKMH Motor).



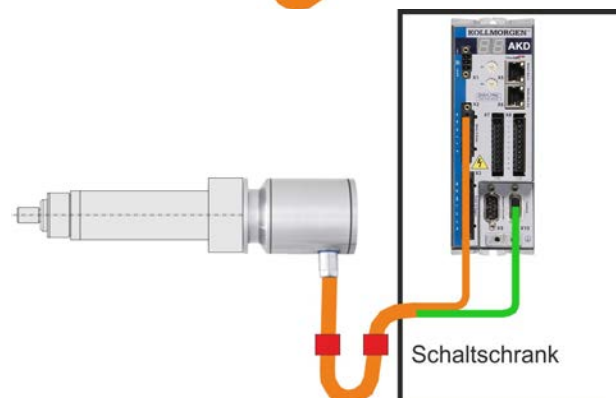
2.6.5 Leitfaden für die elektrische Installation

1. Prüfen Sie die Zuordnung von Servoverstärker und Motor. Vergleichen Sie Nennspannung und Nennstrom der Geräte.
2. Beachten Sie die Motorpolzahl und die Feedbackdaten und stellen Sie bei den verwendeten Servoverstärkern die Polzahlen unbedingt korrekt ein. Falsche Einstellung kann besonders bei kleinen Motoren zur Zerstörung führen.
3. Bei Anschluss an AKD-B/P/T/M Servoverstärkern mit 230V Nennspannung müssen die Aderendhülsen auf den Motorleistungsadern um ca. 2-3 mm gekürzt werden.
4. Achten Sie auf einwandfreie Erdung von Servoverstärker und Motor. EMV-gerechte Abschirmung und Erdung siehe auch Betriebsanleitung des Servoverstärkers.
5. Der Schirm muss am Servoverstärker aufgelegt werden (siehe auch Betriebsanleitung des Servoverstärkers).
6. Legen Sie Abschirmungen großflächig (niederohmig) über metallisierte Steckergehäuse bzw. EMV-gerechte Kabelverschraubungen auf.

**ERD (LMI) mit AKMH
und AKD-N**



**ERD (LMI) mit AKMH
und AKD-P**



2.7 Inbetriebnahme

2.7.1 Wichtige Hinweise

INFO

Nur Fachleute mit weitreichenden Kenntnissen in den Bereichen Elektrotechnik und Antriebstechnik dürfen die Antriebseinheit Servoverstärker/Motor/Linearaktuator in Betrieb nehmen.



GEFAHR

Es treten Spannungen bis zu 900V auf. Lebensgefahr durch elektrischen Schlag! Prüfen Sie, ob alle spannungsführenden Anschlusssteile gegen Berührung sicher geschützt sind. Lösen Sie die elektrischen Anschlüsse der Motoren nie unter Spannung. Restladungen in den Kondensatoren des Servoverstärkers können bis zu 10 Minuten nach Abschalten der Netzspannung gefährliche Werte aufweisen, auch wenn sich der Aktuator nicht bewegt. Messen Sie die Spannung im Zwischenkreis und warten Sie, bis die Spannung unter 50V abgesunken ist.



VORSICHT

Die Oberflächentemperatur des Servomotors kann im Betrieb 100°C überschreiten. Gefahr leichter Verbrennungen! Prüfen (messen) Sie die Temperatur des Motors.

Warten Sie, bis der Motor auf 40°C abgekühlt ist, bevor Sie ihn berühren.



VORSICHT

Während der Inbetriebnahme ist nicht auszuschließen, dass der Antrieb ungeplant eine Bewegung durchführt.

Stellen Sie sicher, dass auch bei ungewollter Bewegung des Antriebs keine Gefährdung von Personen oder Sachen eintreten kann.

Die Maßnahmen, die Sie dazu in Ihrer Anwendung treffen müssen, ergeben sich aus der Risikobeurteilung der Anwendung.

ACHTUNG

Bei Applikationen mit sehr kurzen Verfahrwegen (weniger als 1 Umdrehung der Mutter) ist es notwendig, nach 10 Zyklen eine längere Bewegungen (mehrere Umdrehungen der Mutter). Damit werden die Kugeln in der Mutter wieder korrekt positioniert.

2.7.2 Leitfaden für die Inbetriebnahme

Das Vorgehen bei der Inbetriebnahme wird exemplarisch beschrieben. Je nach Einsatz der Geräte kann auch ein anderes Vorgehen sinnvoll und erforderlich sein.

1. Prüfen Sie Montage und Ausrichtung des Linearaktuators.
2. Prüfen Sie die Verdrahtung und Anschlüsse am Servoverstärker. Achten Sie auf ordnungsgemäße Erdung.
3. Prüfen Sie die Funktion der Haltebremse (24V anlegen, Bremse muss lüften).
4. Prüfen Sie, ob sich die Hubstange frei bewegt (Bremse vorher lüften). Achten Sie auf Schleifgeräusche.
5. Prüfen Sie, ob alle erforderlichen Berührungsschutz-Maßnahmen für bewegte und spannungsführende Teile getroffen wurden.
6. Führen Sie weitere für Ihre Anlage spezifischen und notwendigen Prüfungen durch.
7. Nehmen Sie nun entsprechend der Inbetriebnahmeanweisung des Servoverstärkers den Antrieb in Betrieb (bei Mehrachs-Systemen jede Antriebseinheit Servoverstärker/Servomotor/Linearaktuator einzeln in Betrieb nehmen).

3 Appendix

3.1 Technical Data	36
3.1.1 Dictionary for technical data tables	36
3.1.2 Technical Data AKMH2	37
3.1.3 Technical Data AKMH3	38
3.1.4 Technical Data AKMH4	39
3.1.5 Technical Data AKMH5	41
3.1.6 Technical Data ERD	43
3.2 Dimension drawings	45
3.2.1 Dimensions ERD15 and ERD20 with mounted AKMH	45
3.2.2 Dimensions ERD25 and ERD30 with mounted AKMH	46
3.2.3 Foot Mount (FM2)	47
3.2.4 Front Flange Mount (FFG)	47
3.2.5 Trunnion Mount (TRR)	48
3.2.6 Rear Clevis (PCD)	48

3.1 Technical Data

3.1.1 Dictionary for technical data tables

 Motors	 Motoren
Data	Daten
Symbol [Unit]	Symbol [Einheit]
Electrical data	Elektrische Daten
Standstill torque	Stillstands Drehmoment
Standstill current	Stillstandsstrom
max. Mains voltage	max. Netz-Nennspannung
Rated speed	Nenn Drehzahl
Rated torque	Nenn Drehmoment
Rated power	Nennleistung
Peak current	Spitzenstrom
Peak torque	Spitzendrehmoment
Torque constant	Drehmomentkonstante
Voltage constant	Spannungskonstante
Winding resistance	Wicklungswiderstand
Winding inductance	Wicklungsinduktivität
Mechanical data	Mechanische Daten
Rotor moment of inertia	Rotorträgheitsmoment
Pole number	Polzahl
Static friction torque	Statisches Reibmoment
Thermal time constant	Thermische Zeitkonstante
Weight standard	Gewicht standard
Minimum cross section	Minimaler Querschnitt
Reference flange	Bemessungsflansch
Derating	Begrenzung der Nennwerte
 Brakes	 Bremsen
Brake data	Bremsendaten
Holding torque	Haltemoment
Operating voltage	Anschlussspannung
Electrical power	Elektrische Leistung
Moment of inertia	Trägheitsmoment
Release delay time	Lüftverzögerungszeit
Engage delay time	Einfallverzögerungszeit
Weight of the brake	Gewicht der Bremse
Typical Backlash	typisches Flankenspiel
 Actuators	 Aktuatoren
Stroke	Hub
Lead	Führung
Accuracy	Genauigkeit
Backlash	Flankenspiel
Thrust	Schubkraft
Dynamic load	Dynamische Belastung

3.1.2 Technical Data AKMH2

	Data	Symbol [Unit]	AKMH								
			21C	22C	22E	23D	23E	23F	24D	24E	24F
Electrical data											
	Standstill torque*	M_0 [Nm]	0.317	0.633	0.654	0.897	0.904	0.917	1.12	1.12	1.13
	Standstill current	I_{0rms} [A]	1.33	1.18	2.31	1.89	2.36	3.71	1.91	2.41	3.38
	max. Mains voltage	U_N [VAC]	480								
$U_n = 320VDC$	Rated speed	n_n [rpm]	8000	3500	8000	5000	6500	8000	4000	5500	8000
	Rated torque*	M_n [Nm]	0.255	0.583	0.41	0.765	0.688	0.593	1.04	0.981	0.839
	Rated power	P_n [kW]	0.21	0.21	0.35	0.40	0.47	0.50	0.44	0.57	0.70
$U_n = 560VDC$	Rated speed	n_n [rpm]	8000	8000	8000	8000	8000	8000	8000	8000	8000
	Rated torque*	M_n [Nm]	0.255	0.4	0.41	0.58	0.58	0.59	0.83	0.83	0.84
	Rated power	P_n [kW]	0.21	0.34	0.35	0.49	0.49	0.49	0.70	0.70	0.70
$U_n = 640VDC$	Rated speed	n_n [rpm]	8000	8000	8000	8000	8000	8000	8000	8000	8000
	Rated torque*	M_n [Nm]	0.255	0.4	0.41	0.58	0.58	0.58	0.83	0.83	0.83
	Rated power	P_n [kW]	0.21	0.34	0.35	0.49	0.49	0.49	0.70	0.70	0.70
	Peak current	I_{0max} [A]	7.9	7.0	13.7	11.0	13.9	21.6	11.1	14.0	19.5
	Peak torque	M_{0max} [Nm]	1.57	3.03	3.07	4.35	4.37	4.41	5.50	5.51	5.53
	Torque constant	K_{Trms} [Nm/A]	0.30	0.61	0.32	0.52	0.42	0.27	0.63	0.50	0.36
	Voltage constant	K_{Frms} [mVmin]	19.5	39	20.4	33.8	27	17.6	40.8	32.4	23.4
	Winding resistance Ph-Ph	R_{25} [Ω]	13.0	20.0	5.24	8.79	5.46	2.36	9.04	5.46	2.96
	Winding inductance Ph-Ph	L [mH]	19.0	35.5	9.7	17.3	11.1	4.68	18.7	11.8	6.16
Mechanical data											
	Rotor moment of inertia	J [kgcm ²]	0.107	0.161	0.216			0.27			
	Pole number	-	6	6	6			6			
	Static friction torque	M_R [Nm]	0.081	0.084	0.086			0.089			
	Thermal time constant	t_{TH} [min]	29	32	34			37			
	Weight flange mounting**	G [kg]	3.6	4.1	4.6			5.1			
	Weight face mounting**	G [kg]	4.0	4.5	5.0			5.5			
	Radial load permitted	F_R [N]	max. 140								
	Axial load permitted	F_A [N]	max. 600								
Derating depending on model options for M_0 and I_{0rms} (evaluation in process)											
	Built-in brake	%	i.p.	i.p.	i.p.			i.p.			
	Built-in encoder	%	i.p.	i.p.	i.p.			i.p.			
Power cable acc. EN60204-1:2006 Table 6, Column B2											
	Minimum cross section	mm ²	1	1	1	1	1	1	1	1	1
	Fixed cable cross section	mm ²	2.5	2.5	2.5	2.5	2.5	2.5	2.5	2.5	2.5

* Rated data with reference flange Aluminium 254mm * 254mm * 6.35mm

** Cable weight adder (0.32 kg/m)

Brake data

Holding torque @ 120°C	M_{BR} [Nm]	1.42	Release delay time	t_{BRH} [ms]	45
Operating voltage	U_{BR} [VDC]	24 ± 10 %	Engage delay time	t_{BRI} [ms]	36
Electrical power @ 20°C	P_{BR} [W]	8.4 ± 7 %	Brake weight adder	G_{BR} [kg]	0.27
Moment of inertia	J_{BR} [kgcm ²]	0.014	Typical backlash	[°mech.]	0.46

3.1.3 Technical Data AKMH3

	Data	Symbol [Unit]	AKMH								
			31C	31E	31H	32C	32E	32H	33C	33E	33H
Electrical data											
	Standstill torque*	M_0 [Nm]	1.00	1.04	1.08	1.72	1.77	1.82	2.25	2.32	2.38
	Standstill current	I_{0rms} [A]	1.29	2.76	5.59	1.30	2.56	4.92	1.27	2.20	4.78
	max. Mains voltage	U_N [VAC]	480								
$U_n =$ 320VDC	Rated speed	n_n [rpm]	2500	6000	8000	1500	3500	7000	1000	2000	5500
	Rated torque*	M_n [Nm]	0.95	0.86	0.76	1.66	1.57	1.13	2.22	2.20	1.64
	Rated power	P_n [kW]	0.25	0.54	0.64	0.26	0.57	0.83	0.23	0.46	0.94
$U_n =$ 560VDC	Rated speed	n_n [rpm]	6000	8000	8000	3000	7000	8000	2000	4500	8000
	Rated torque*	M_n [Nm]	0.82	0.74	0.76	1.57	1.10	0.95	2.14	1.82	0.88
	Rated power	P_n [kW]	0.51	0.62	0.64	0.49	0.81	0.80	0.45	0.86	0.74
$U_n =$ 640VDC	Rated speed	n_n [rpm]	6000	8000	8000	3500	8000	8000	2500	5000	8000
	Rated torque*	M_n [Nm]	0.82	0.74	0.76	1.52	0.92	0.95	2.09	1.72	0.88
	Rated power	P_n [kW]	0.51	0.62	0.64	0.56	0.77	0.80	0.55	0.90	0.74
	Peak current	I_{0max} [A]	6.90	15.0	29.3	7.2	14.1	27.5	7.4	12.9	28.1
	Peak torque	M_{0max} [Nm]	4.41	4.52	4.59	8.10	8.24	8.39	11.5	11.7	11.9
	Torque constant	K_{Trms} [Nm/A]	0.85	0.41	0.21	1.4	0.73	0.39	1.86	1.10	0.52
	Voltage constant	K_{Frms} [mV/min]	54.5	26.1	13.7	89.8	47.1	24.8	120	70.6	33.4
	Winding resistance Ph-Ph	R_{25} [Ω]	21.4	4.76	1.31	23.8	6.32	1.71	26.6	9.03	1.98
	Winding inductance Ph-Ph	L [mH]	37.5	8.6	2.4	46.5	12.8	3.53	53.6	18.5	4.1
Mechanical data											
	Rotor moment of inertia	J [kgcm ²]	0.33			0.59			0.85		
	Pole number		8			8			8		
	Static friction torque	M_R [Nm]	0.093			0.099			0.105		
	Thermal time constant	t_{TH} [min]	24			32			40		
	Weight flange mounting**	G [kg]	4.1			5			5.9		
	Weight face mounting**	G [kg]	4.5			5.4			6.4		
	Radial load permitted	F_R [N]	max. 200								
	Axial load permitted	F_A [N]	max. 600								
Derating depending on model options for M_0 and I_{0rms} (data evaluation in process)											
	Built-in brake	%	i.p.			i.p.			i.p.		
	Built-in encoder	%	i.p.			i.p.			i.p.		
Power cable acc. EN60204-1:2006 Table 6, Column B2											
	Minimum cross section	mm ²	1	1	1	1	1	1	1	1	1
	Fixed cable cross section	mm ²	2.5	2.5	2.5	2.5	2.5	2.5	2.5	2.5	2.5

* Rated data with reference flange Aluminium 254mm * 254mm * 6.35mm

** Cable weight adder (0.32 kg/m)

Brake data

Holding torque @ 120°C	M_{BR} [Nm]	2.5	Release delay time	t_{BRH} [ms]	50
Operating voltage	U_{BR} [VDC]	24 ± 10 %	Engage delay time	t_{BRI} [ms]	20
Electrical power @ 20°C	P_{BR} [W]	10.1 ± 7 %	Brake weight adder	G_{BR} [kg]	0.35
Moment of inertia	J_{BR} [kgcm ²]	0.014	Typical backlash	[°mech.]	0.46

3.1.4 Technical Data AKMH4

Data	Symbol [Unit]	AKMH							
		41C	41E	41H	42C	42E	42H	42J	
Electrical data									
	Standstill torque*	M_0 [Nm]	1.85	1.92	1.96	3.22	3.28	3.40	3.42
	Standstill current	I_{0rms} [A]	1.39	2.71	5.32	1.35	2.63	5.76	8.06
	max. Mains voltage	U_N [VAC]	480						
U_n 320VDC	Rated speed	n_n [rpm]	1200	3000	6000	—	1800	4500	6000
	Rated torque*	M_n [Nm]	1.78	1.74	1.47	—	2.99	2.63	2.23
	Rated power	P_n [kW]	0.22	0.55	0.92	—	0.56	1.24	1.40
U_n 560VDC	Rated speed	n_n [rpm]	3000	6000	6000	1500	3500	6000	6000
	Rated torque*	M_n [Nm]	1.68	1.44	1.47	2.98	2.72	2.21	2.23
	Rated power	P_n [kW]	0.53	0.90	0.92	0.47	1.00	1.39	1.40
U_n 640VDC	Rated speed	n_n [rpm]	3500	6000	6000	2000	4000	6000	6000
	Rated torque*	M_n [Nm]	1.65	1.44	1.47	2.91	2.61	2.21	2.23
	Rated power	P_n [kW]	0.60	0.90	0.92	0.61	1.10	1.39	1.40
	Peak current	I_{0max} [A]	7.3	14.3	28.0	7.00	13.7	30.0	42.0
	Peak torque	M_{0max} [Nm]	6.82	6.95	7.00	12.6	12.8	13.1	13.1
	Torque constant	K_{Trms} [Nm/A]	1.34	0.71	0.37	2.4	1.26	0.59	0.43
	Voltage constant	K_{Fms} [mV/min]	86.3	45.6	23.7	154	80.9	38.3	27.5
	Winding resistance	R_{25} [Ω]	21.3	6.04	1.58	27.5	7.80	1.67	0.82
	Winding inductance	L [mH]	66.1	18.4	5.0	97.4	26.8	6.0	3.1
Mechanical data									
	Rotor moment inertia	J [kgcm ²]	0.81			1.45			
	Pole number		10			10			
	Static friction torque	M_R [Nm]	0.214			0.23			
	Thermal time constant	t_{TH} [min]	40			51			
	Weight flange mount**	G [kg]	6.1			7.4			
	Weight face mount**	G [kg]	6.9			8.2			
	Radial load permitted	F_R [N]	max. 450						
	Axial load permitted	F_A [N]	max. 1400						
Derating depending on model options for M_0 and I_{0rms} (data evaluation in process)									
	Built-in brake	%	i.p.			i.p.			
	Built-in encoder	%	i.p.			i.p.			
Power cable acc. EN60204-1:2006 Table 6, Column B2									
	Min. cross section	mm ²	1	1	1	1	1	1	1
	Fixed cross section	mm ²	2.5	2.5	2.5	2.5	2.5	2.5	2.5

* Rated data with reference flange Aluminium 254mm * 254mm * 6.35mm

** Cable weight adder (2.5 mm² cable: 0.32 kg/m, 4 mm² cable: 0.41 kg/m)

Data	Symbol [Unit]	AKMH						
		43E	43H	43L	44E	44H	44K	
Electrical data								
	Standstill torque*	M_0 [Nm]	4.56	4.68	4.59	5.64	5.77	5.76
	Standstill current	I_{0rms} [A]	2.68	5.24	10.9	2.79	5.49	9.90
	max. Mains voltage	U_N [VAC]	480					
U_n 320VDC	Rated speed	n_n [rpm]	1500	3000	6000	1200	2500	5000
	Rated torque*	M_n [Nm]	4.15	3.77	2.39	5.13	4.59	3.1
	Rated power	P_n [kW]	0.65	1.18	1.50	0.64	1.20	1.62
U_n 560VDC	Rated speed	n_n [rpm]	2500	6000	6000	2000	5000	6000
	Rated torque*	M_n [Nm]	3.83	2.44	2.39	4.76	3.31	2.55
	Rated power	P_n [kW]	1.00	1.53	1.50	1.00	1.64	1.60
U_n 640VDC	Rated speed	n_n [rpm]	3000	6000	6000	2500	6000	6000
	Rated torque*	M_n [Nm]	3.68	2.44	2.39	4.52	2.58	2.55
	Rated power	P_n [kW]	1.16	1.53	1.50	1.18	1.62	1.60
	Peak current	I_{0max} [A]	13.7	27.2	55.8	14.5	28.1	50.5
	Peak torque	M_{0max} [Nm]	18.3	18.7	18.4	23.5	23.5	23.5
	Torque constant	K_{Tms} [Nm/A]	1.72	0.89	0.42	2.04	1.06	0.59
	Voltage constant	K_{Ems} [mVmin]	111	57.4	27.5	132	68.0	37.8
	Winding resistance	R_{25} [Ω]	8.63	2.12	0.57	8.66	2.25	0.70
	Winding inductance	L [mH]	32.6	8.8	2.0	33.9	9.1	2.8
Mechanical data								
	Rotor moment inertia	J [kgcm ²]	2.09			2.73		
	Pole number		10			10		
	Static friction torque	M_R [Nm]	0.238			0.25		
	Thermal time constant	t_{TH} [min]	63			74		
	Weight flange mount**	G [kg]	8.8			10.2		
	Weight face mount**	G [kg]	9.6			11.0		
	Radial load permitted	F_R [N]	max. 450					
	Axial load permitted	F_A [N]	max. 1400					
Derating depending on model options for M_0 and I_{0rms} (data evaluation in process)								
	Built-in brake	%	i.p.			i.p.		
	Built-in Hiperface DSL	%	i.p.			i.p.		
Power cable acc. EN60204-1:2006 Table 6, Column B2								
	Min. cross section	mm ²	1	1	1.5	1	1	1
	Fixed cross section	mm ²	2.5	2.5	4	2.5	2.5	2.5

* Rated data with reference flange Aluminium 254mm * 254mm * 6.35mm

** Cable weight adder (2.5 mm² cable: 0.32 kg/m, 4 mm² cable: 0.41 kg/m)

Brake data

Holding torque @ 120°C	M_{BR} [Nm]	5.3	Release delay time	t_{BRH} [ms]	75
Operating voltage	U_{BR} [VDC]	24 ± 10 %	Engage delay time	t_{BRI} [ms]	30
Electrical power @ 20°C	P_{BR} [W]	12.8 ± 7 %	Brake weight adder	G_{BR} [kg]	0.63
Moment of inertia	J_{BR} [kgcm ²]	0.09	Typical backlash	[°mech.]	0.37

3.1.5 Technical Data AKMH5

Data	Symbol [Unit]	AKMH							
		51E	51H	51L	52E	52H	52L	52M	
Electrical data									
	Standstill torque*	M_0 [Nm]	3.47	3.39	3.47	6.15	6.29	6.45	6.39
	Standstill current	I_{0rms} [A]	2.38	5.02	10.0	2.43	4.81	9.5	10.7
	max. Mains voltage	U_N [VAC]	480						
U_n 320VDC	Rated speed	n_n [rpm]	1200	3000	5500	—	1800	3500	4500
	Rated torque*	M_n [Nm]	3.28	2.75	1.45	—	5.32	3.53	1.18
	Rated power	P_n [kW]	0.41	0.86	0.84	—	1.00	1.29	0.56
U_n 560VDC	Rated speed	n_n [rpm]	2500	5500	5500	1500	3500	4500	4500
	Rated torque*	M_n [Nm]	2.98	1.41	1.45	5.39	3.44	1.19	1.18
	Rated power	P_n [kW]	0.78	0.81	0.84	0.85	1.26	0.56	0.56
U_n 640VDC	Rated speed	n_n [rpm]	3000	5500	5500	2000	4000	4500	4500
	Rated torque*	M_n [Nm]	2.82	1.41	1.45	5.08	2.44	1.19	1.18
	Rated power	P_n [kW]	0.89	0.81	0.84	1.06	1.02	0.56	0.56
	Peak current	I_{0max} [A]	13.8	30.0	59.5	15.0	29.5	58.0	65.5
	Peak torque	M_{0max} [Nm]	15.0	15.0	15.2	28.9	29.1	29.5	29.4
	Torque constant	K_{Trms} [Nm/A]	1.72	0.8	0.41	2.79	1.44	0.75	0.66
	Voltage constant	K_{Frms} [mVmin]	110	51.3	26.6	179	92.7	48.3	42.4
	Winding resistance	R_{25} [Ω]	9.00	2.00	0.58	8.98	2.37	0.63	0.51
	Winding inductance	L [mH]	36.6	7.9	2.1	44.7	11.9	3.24	2.50
Mechanical data									
	Rotor moment inertia	J [kgcm ²]	3.42			6.22			
	Pole number		10			10			
	Static friction torque	M_R [Nm]	0.622			0.640			
	Thermal time constant	t_{TH} [min]	46			58			
	Weight flange mount**	G [kg]	8.9			11.1			
	Weight face mount**	G [kg]	10.4			13.6			
	Radial load permitted	F_R [N]	max. 635						
	Axial load permitted	F_A [N]	max. 1740						
Derating depending on model options for M_0 and I_{0rms} (data evaluation in process)									
	Built-in brake	%	i.p.			i.p.			
	Built-in encoder	%	i.p.			i.p.			
Power cable acc. EN60204-1:2006 Table 6, Column B2									
	Min. cross section	mm ²	1	1	1	1	1	1	1.5
	Fixed cross section	mm ²	2.5	2.5	4	2.5	2.5	4	4

* Rated data with reference flange Aluminium 305mm * 305mm * 12.7mm

** cable weight adder (2.5 mm² cable: 0.32 kg/m, 4 mm² cable: 0.41 kg/m)

Data	Symbol [Unit]	AKMH						
		53H	53L	53P	54H	54L	54P	
Electrical data								
	Standstill torque*	M_0 [Nm]	8.60	8.68	8.49	10.5	10.4	10.6
	Standstill current	I_{0rms} [A]	5.29	9.43	15.2	4.12	9.29	14.5
	max. Mains voltage	U_N [VAC]	480					
U_n 320VDC	Rated speed	n_n [rpm]	—	3000	3500	1000	2500	3000
	Rated torque*	M_n [Nm]	—	4.09	2.09	9.31	5.13	2.52
	Rated power	P_n [kW]	—	1.28	0.77	3.00	1.34	0.79
U_n 560VDC	Rated speed	n_n [rpm]	3000	3500	3500	1800	3000	3000
	Rated torque*	M_n [Nm]	4.06	2.14	2.09	7.62	2.47	2.52
	Rated power	P_n [kW]	1.28	0.78	0.77	1.44	0.78	0.79
U_n 640VDC	Rated speed	n_n [rpm]	3500	3500	3500	2000	3000	3000
	Rated torque*	M_n [Nm]	2.12	2.14	2.09	7.09	2.47	2.52
	Rated power	P_n [kW]	0.78	0.78	0.77	1.48	0.78	0.79
	Peak current	I_{0max} [A]	33.0	59.0	95.5	27.5	62.5	98.0
	Peak torque	M_{0max} [Nm]	41.8	42.0	41.7	53.3	53.3	55.1
	Torque constant	K_{Tms} [Nm/A]	1.75	0.99	0.60	2.57	1.13	0.74
	Voltage constant	K_{Fms} [mVmin]	112	63.9	38.4	166	72.9	47.3
	Winding resistance	R_{25} [Ω]	2.12	0.71	0.30	3.22	0.67	0.32
	Winding inductance	L [mH]	11.4	3.64	1.30	18.3	3.5	1.5
Mechanical data								
	Rotor moment inertia	J [kgcm ²]	9.12			11.92		
	Pole number		10			10		
	Static friction torque	M_R [Nm]	0.658			0.677		
	Thermal time constant	t_{TH} [min]	69			80		
	Weight flange mount**	G [kg]	13.4			15.7		
	Weight face mount**	G [kg]	14.9			17.2		
	Radial load permitted	F_R [N]	max. 635					
	Axial load permitted	F_A [N]	max. 1740					
Derating depending on model options for M_0 and I_{0rms} (data evaluation in process)								
	Built-in brake	%	i.p.			i.p.		
	Built-in Hiperface DSL	%	i.p.			i.p.		
Power cable acc. EN60204-1:2006 Table 6, Column B2								
	Min. cross section	mm ²	1	1	2.5	1	1.5	2.5
	Fixed cross section	mm ²	2.5	4	4	2.5	4	4

* Rated data with reference flange Aluminium 305mm * 305mm * 12.7mm

** cable weight adder (2.5 mm² cable: 0.32 kg/m, 4 mm² cable: 0.41 kg/m)

Brake data

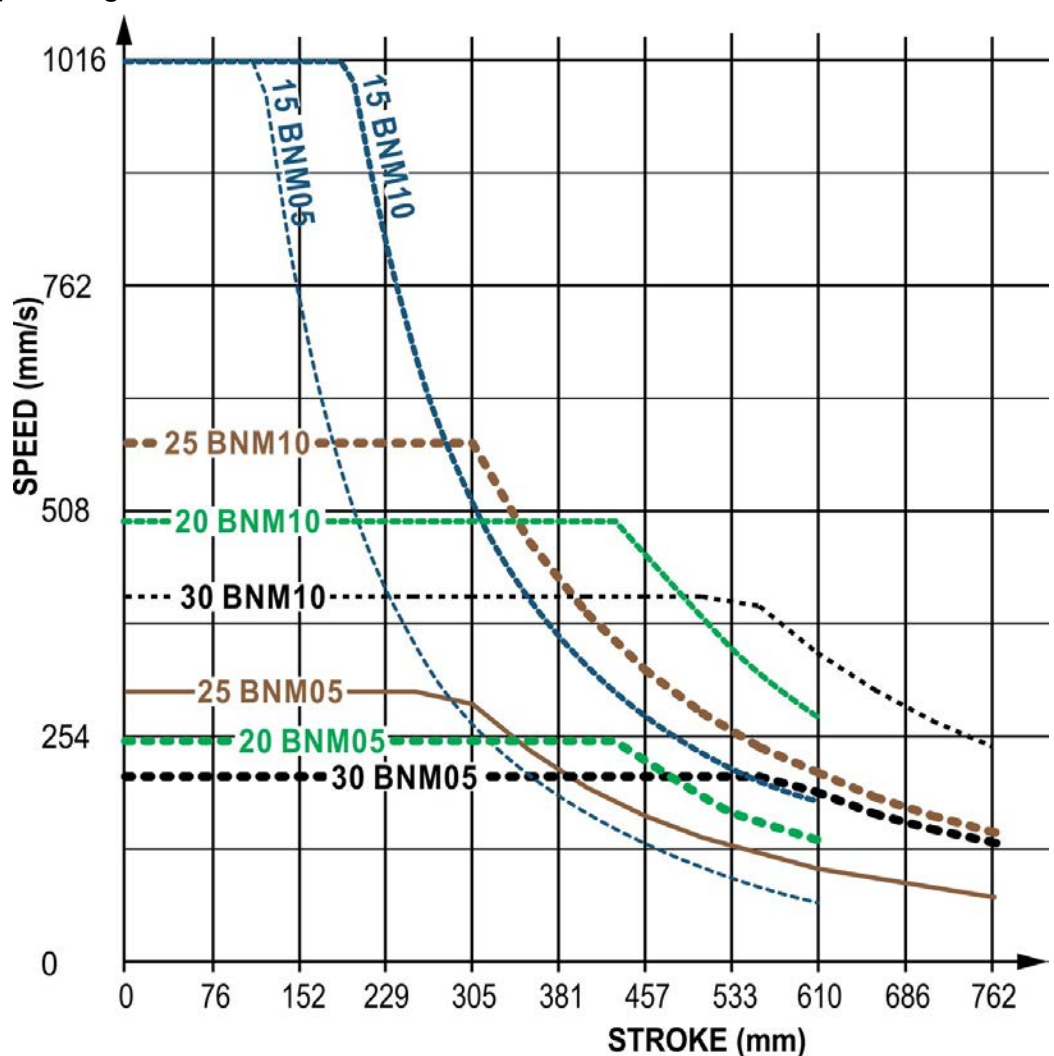
Holding torque @ 120°C	M_{BR} [Nm]	14.5	Release delay time	t_{BRH} [ms]	115
Operating voltage	U_{BR} [VDC]	24 ± 10 %	Engage delay time	t_{BRI} [ms]	30
Electrical power @ 20°C	P_{BR} [W]	19.5 ± 7 %	Brake weight adder	G_{BR} [kg]	1.1
Moment of inertia	J_{BR} [kgcm ²]	0.214	Typical backlash	[°mech.]	0.31

3.1.6 Technical Data ERD

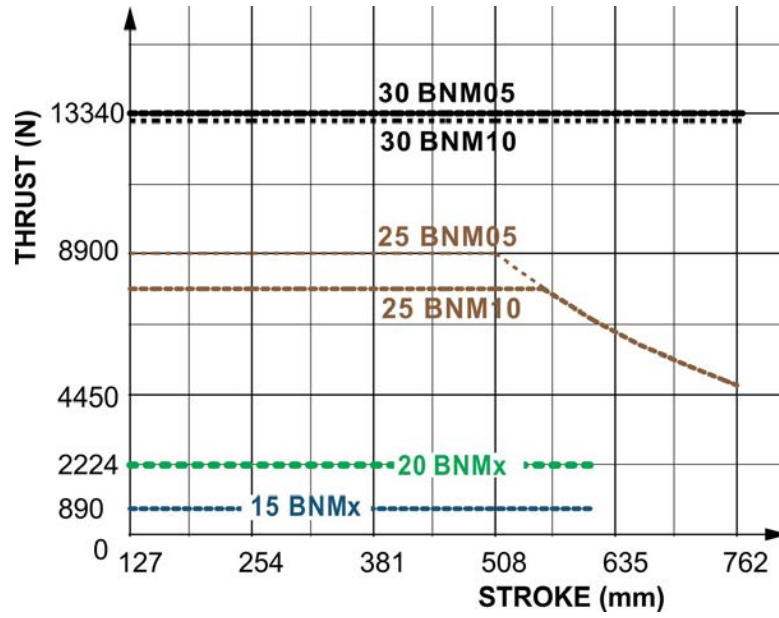
Data	Unit	ERD15-BNM05	ERD15-BNM10	ERD20-BNM05	ERD20-BNM10	ERD25-BNM05	ERD25-BNM10	ERD30-BNM05	ERD30-BNM10
Max. stroke	mm	150 to 600 (steps 10)							
Lead	mm/rev	5	10	5	10	5	10	5	10
Lead accuracy	mm/300mm	0.87	0.87	0.87	0.87	0.051	0.051	0.051	0.051
Backlash	mm	0.13	0.13	0.13	0.13	0.10	0.10	0.10	0.10
Max. thrust ¹	N	890	890	2224	2224	8896	7784	13345	13122
Dyn. load rating ²	N	2002	1779	4003	4003	15089	14987	29840	33227
Max. speed	mm/s	1000	1000	250	500	300	600	200	400
Max. motorspeed	rpm	12000	6000	3000	3000	3600	3600	2400	2400
Inertia LMI	kgm ² x10 ⁻⁶	5.21	5.21	18.38	18.38	25.05	25.05	32.91	32.91
Inertia RP1	kgm ² x10 ⁻⁶	64.61	64.61	120.04	120.04	226.79	226.79	626.38	626.38
Weight LMI	kg	0.76	0.76	3.45	3.45	14.2	14.4	15.5	16.1
Weight RP1	kg	3.53	3.53	4.3	4.3	24.2	24.4	25.5	26.1
Weight adder per 25mm stroke	kg	0.072	0.072	0.147	0.147	0.39	0.39	0.65	0.65

- 1) The maximum thrust is correct as the maximum the actuator should be subjected to at any time.
- 2) The Dynamic Load Rating (DLR) is used to calculate the expected life of the ball screw.

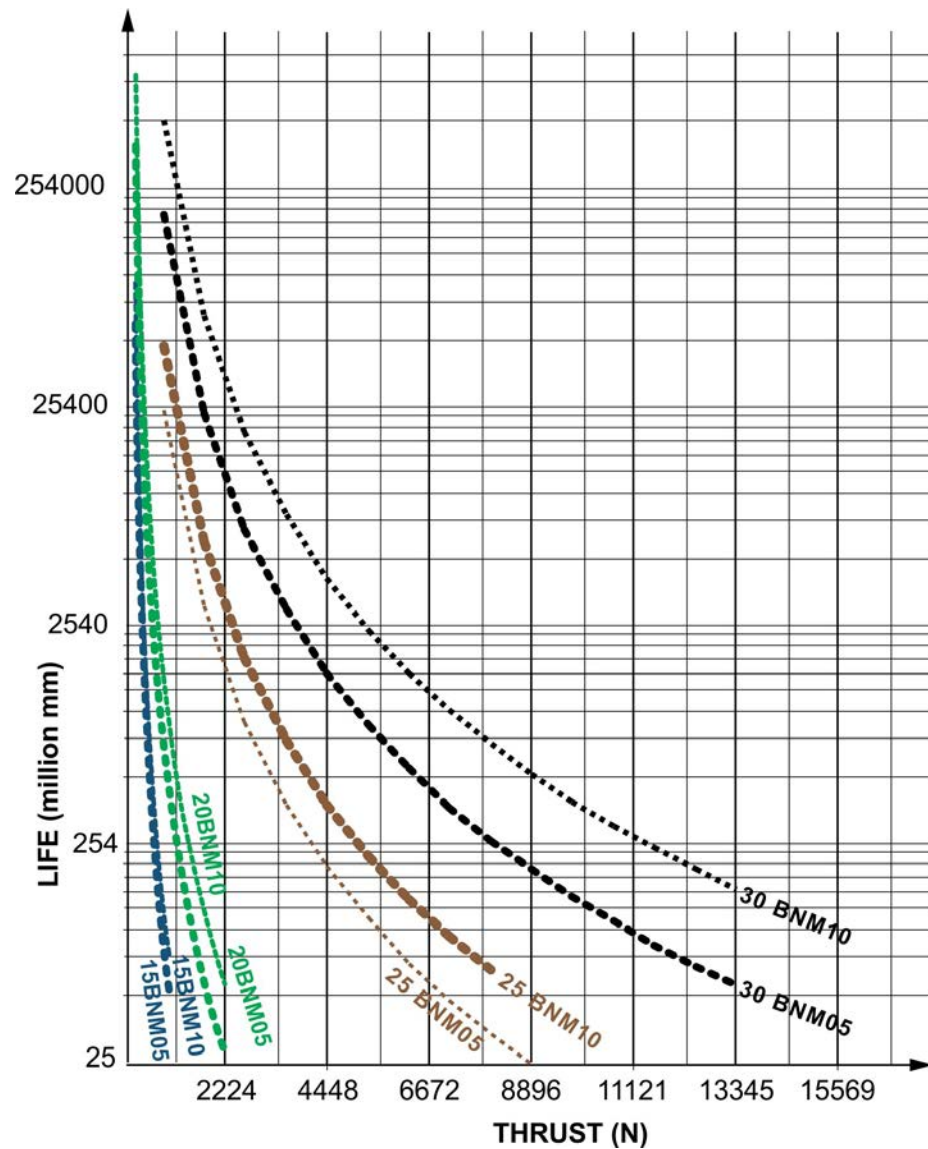
3.1.6.1 Stroke/Speed diagram



3.1.6.2 Stroke/Thrust diagram



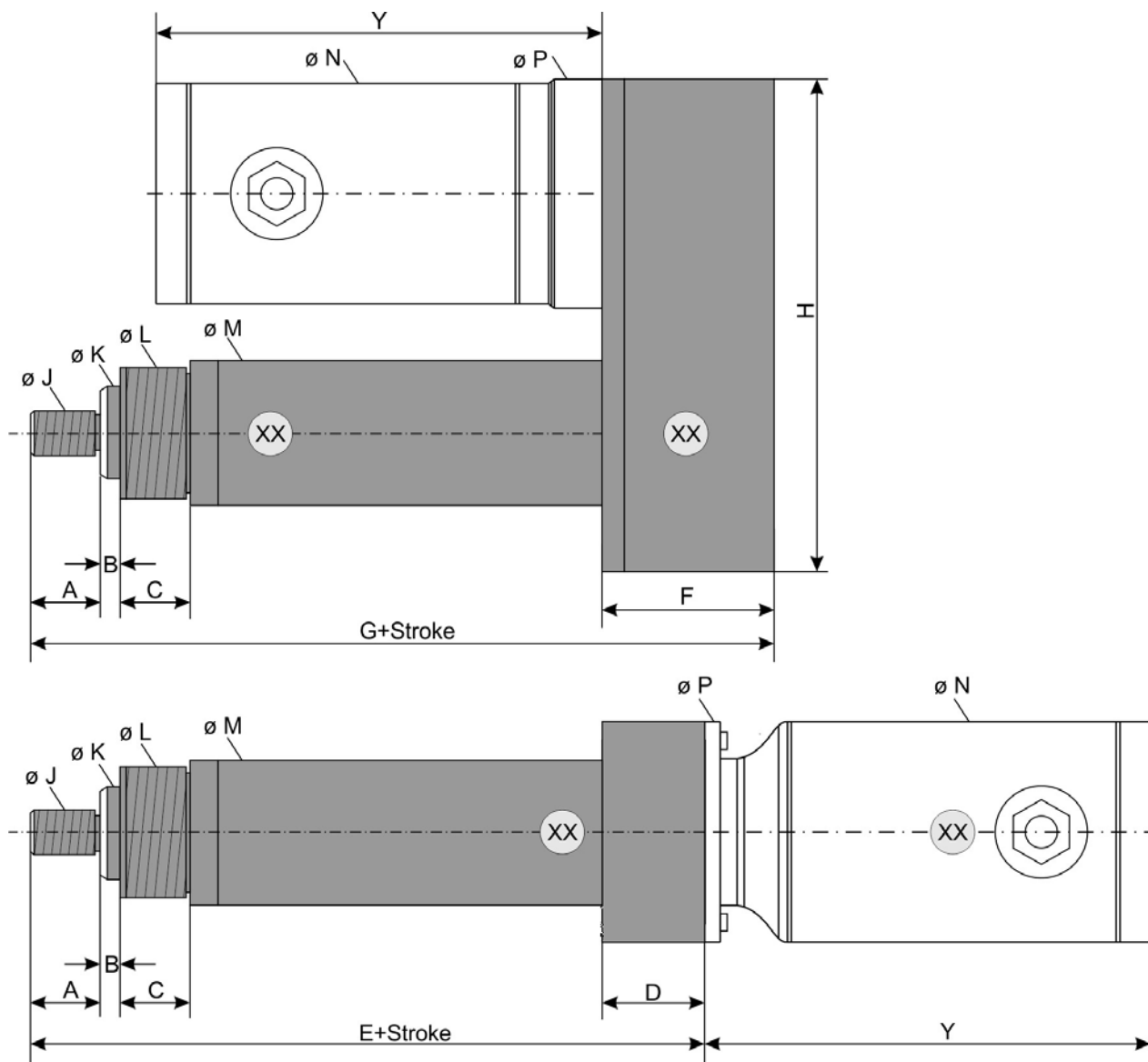
3.1.6.3 Thrust/Lifetime diagram



3.2 Dimension drawings

All drawings are drawings in principle (not scaled).

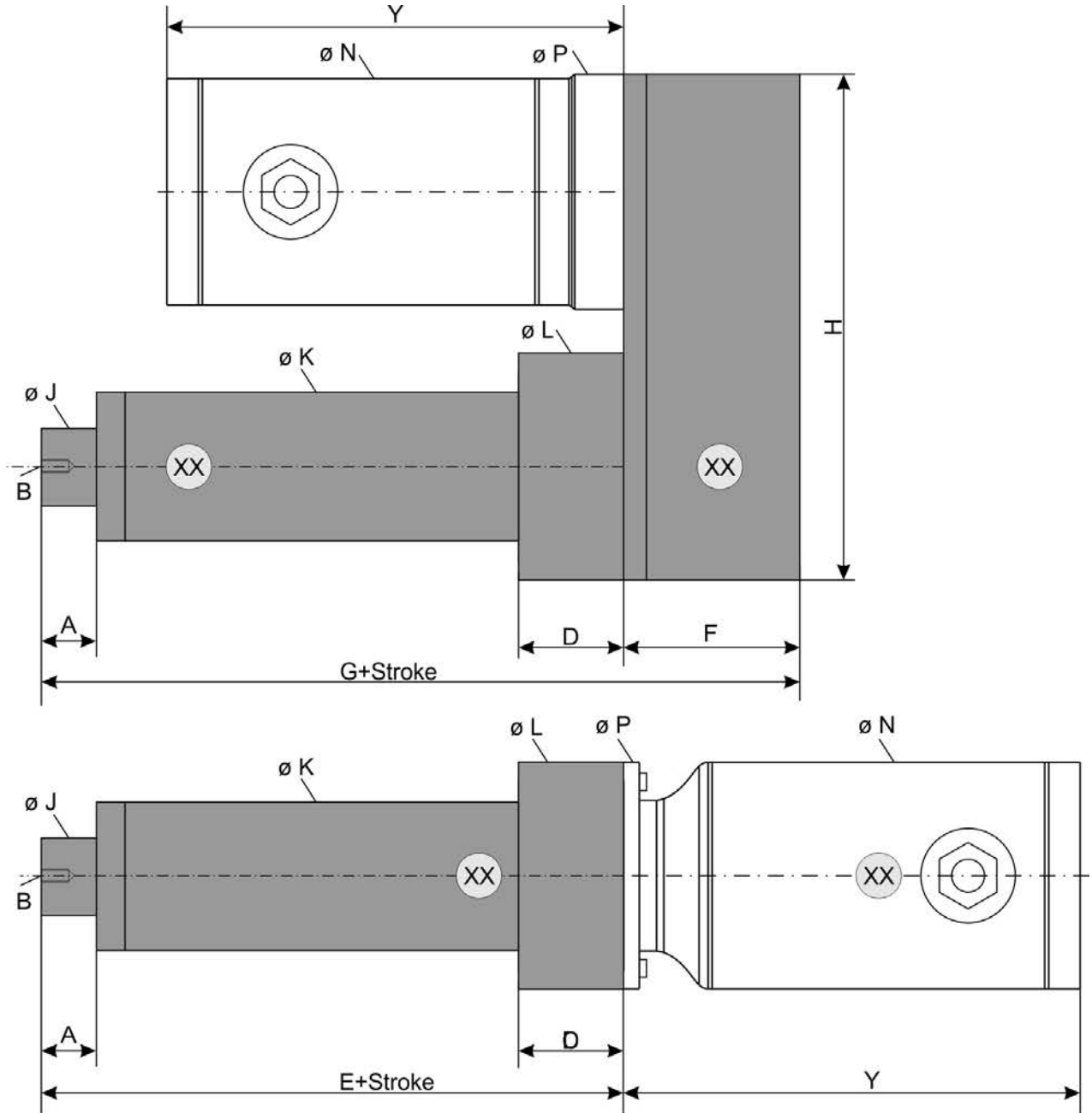
3.2.1 Dimensions ERD15 and ERD20 with mounted AKMH



XX = suggested position for transport belts

Model	No brake		With brake		All		All dimensions in mm											
	SFD/SFD3	DSL	SFD/SFD3	DSL														
AKMH21/ERD15	Y	Y	Y	Y	N	P	A	B	C	D	E	F	G	H	J	K	L	M
AKMH22/ERD15	167.2	180.2	201.2	214.2	74	79	19.05	3.89	15.24	68	211.2	64.2	207.4	142.4	M12	26.4	M34	41.6
AKMH23/ERD15	186.2	199.2	220.2	233.2	74	79	19.05	3.89	15.24	68	211.2	64.2	207.4	142.4	M12	26.4	M34	41.6
AKMH24/ERD15	205.2	218.2	239.2	252.2	74	79	19.05	3.89	15.24	68	211.2	64.2	207.4	142.4	M12	26.4	M34	41.6
AKMH31/ERD20	224.2	237.2	258.2	271.2	74	79	19.05	3.89	15.24	68	211.2	64.2	207.4	142.4	M12	26.4	M34	41.6
AKMH32/ERD20	167.2	180.2	201.2	214.2	85	89	19.05	3.89	18.75	68	213.4	52.6	203.1	175.4	M16	33.6	M44	52.2
AKMH33/ERD20	186.2	199.2	220.2	233.2	85	89	19.05	3.89	18.75	68	213.4	52.6	203.1	175.4	M16	33.6	M44	52.2
AKMH33/ERD20	205.2	218.2	239.2	252.2	85	89	19.05	3.89	18.75	68	213.4	52.6	203.1	175.4	M16	33.6	M44	52.2

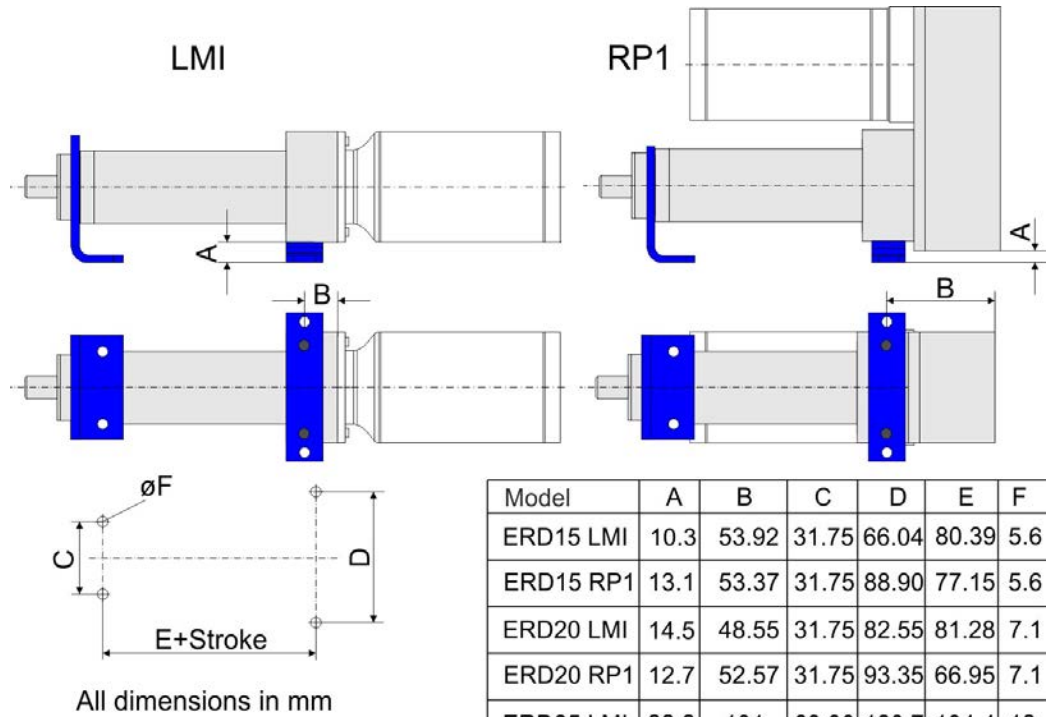
3.2.2 Dimensions ERD25 and ERD30 with mounted AKMH



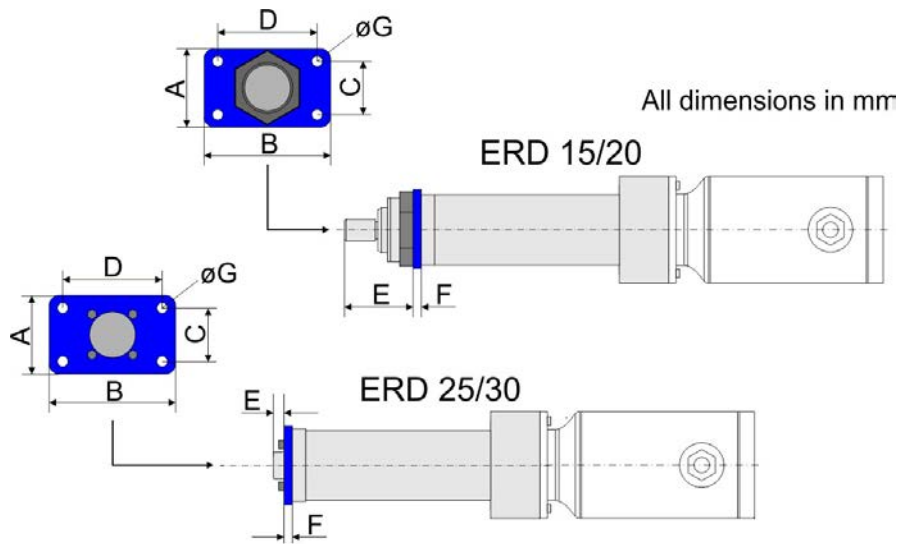
XX = suggested position for transport belts

Model	No brake		With brake		All		All dimensions in mm									
	SFD/SFD3	DSL	SFD/SFD3	DSL	N	P	A	B	D	E	F	G	H	J	K	L
AKMH41/ERD25	166.7	182.7	201	217	113	114.5	24	M20	54.66	243.74	76.1	344.4	308.3	35	89	113
AKMH42/ERD25	195.7	211.7	230	246	113	114.5	24	M20	54.66	243.74	76.1	344.4	308.3	35	89	113
AKMH43/ERD25	224.7	240.7	259	275	113	114.5	24	M20	54.66	243.74	76.1	344.4	308.3	35	89	113
AKMH44/ERD25	253.7	269.7	288	304	113	114.5	24	M20	54.66	243.74	76.1	344.4	308.3	35	89	113
AKMH51/ERD30	187.4	198.4	229.4	240.4	132	148	24	M27	54.66	243.74	76.1	344.4	308.3	55	89	113
AKMH52/ERD30	218.4	229.4	260.4	271.4	132	148	24	M27	54.66	243.74	76.1	344.4	308.3	55	89	113
AKMH53/ERD30	249.4	260.4	291.4	302.4	132	148	24	M27	54.66	243.74	76.1	344.4	308.3	55	89	113
AKMH54/ERD30	280.4	291.4	322.4	333.4	132	148	24	M27	54.66	243.74	76.1	344.4	308.3	55	89	113

3.2.3 Foot Mount (FM2)

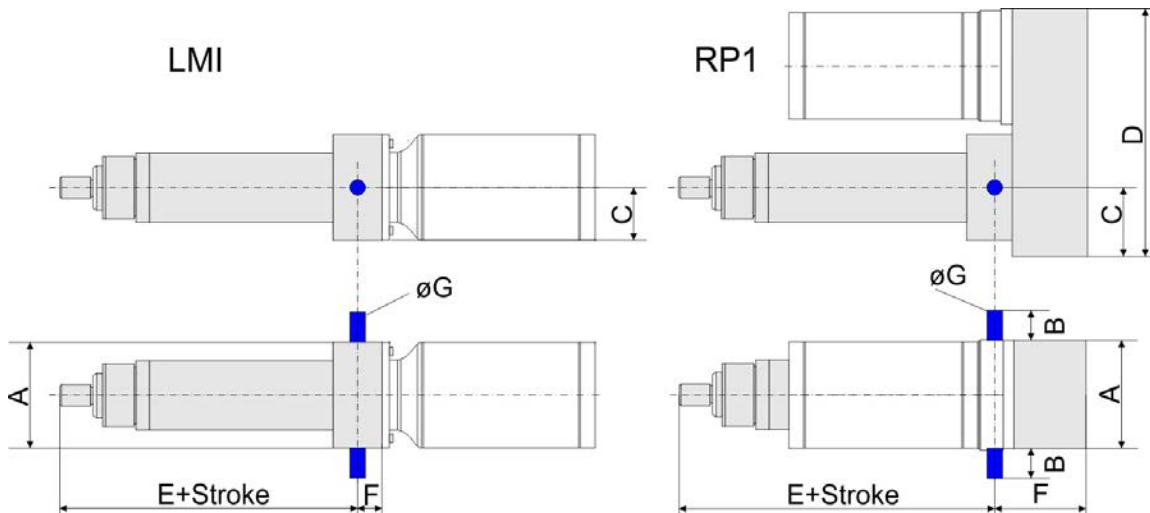


3.2.4 Front Flange Mount (FFG)



Model	A	B	C	D	E	F	G
ERD15 LMI/RP1	44.45	63.5	31.75	50.8	33.25	4.93	5.6
ERD20 LMI/RP1	57.15	88.9	44.45	76.2	36.75	4.93	7.1
ERD25 LMI/RP1	120.7	158.8	84.3	138.1	8.3	15.7	10.7
ERD30 LMI/RP1	120.7	158.8	84.3	138.1	8.3	15.7	10.7

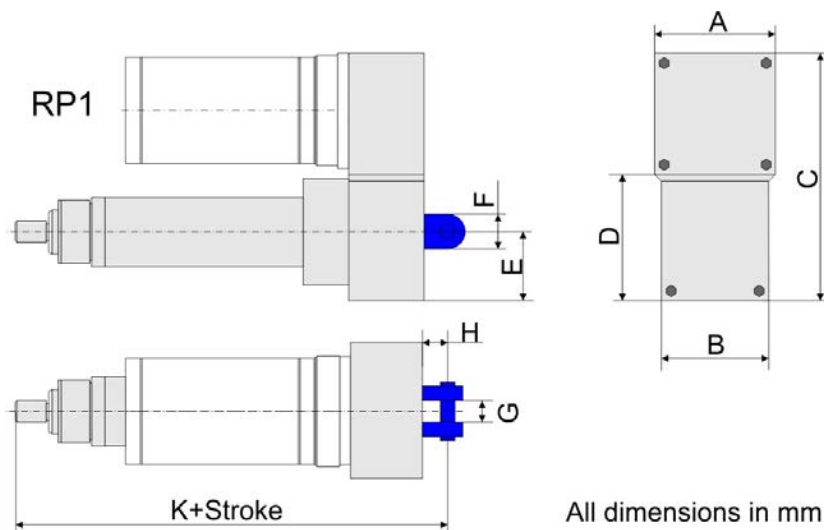
3.2.5 Trunnion Mount (TRR)



All dimensions in mm

Model	A	B	C	D	E	F	G
ERD15 LMI	56.39	10.92	39.50	-	158.3	57.15	9.528/9.533
ERD15 RP1	69.85	10.92	34.93	142.4	154.0	53.37	9.528/9.533
ERD20 LMI	60.00	19.05	43.50	-	164.9	48.54	15.850/15.862
ERD20 RP1	69.85	19.05	34.93	142.7	150.6	52.57	15.850/15.862
ERD25 LMI	114.8	26.93	57.15	-	242.3	124.6	25.36/25.39
ERD25 RP1	114.8	26.93	76.68	308.3	242.3	102.0	25.36/25.39
ERD30 LMI	114.8	26.93	57.15	-	242.3	124.6	25.36/25.39
ERD30 RP1	114.8	26.93	76.68	308.3	242.3	102.0	25.36/25.39

3.2.6 Rear Clevis (PCD)



All dimensions in mm

Model	A	B	C	D	E	F	G	H	K
ERD15 RP1	69.85	69.85	142.37	-	34.93	25.40	19.05	21.59	229.0
ERD20 RP1	100.33	69.85	175.39	59.82	34.93	25.40	19.05	21.59	224.7
ERD25 RP1	146.05	146.05	308.28	135.1	76.68	44.45	31.83	34.93	379.3
ERD30 RP1	146.05	146.05	308.28	135.1	76.68	44.45	31.83	34.93	379.3

4 Record of document revisions

Revision	Remarks
11 / 2014	First edition
12 / 2015	CE mark removed, AKMH part number scheme simplified, back cover page updated, dynamic load data ERD25/30 updated
07 / 2016	Inertia ERD25/30 updated,

About KOLLMORGEN

Kollmorgen is a leading provider of motion systems and components for machine builders. Through world-class knowledge in motion, industry-leading quality and deep expertise in linking and integrating standard and custom products, Kollmorgen delivers breakthrough solutions that are unmatched in performance, reliability and ease-of-use, giving machine builders an irrefutable marketplace advantage.

For assistance with your application needs, visit www.kollmorgen.com or contact us at:

North America

KOLLMORGEN

203A West Rock Road
Radford, VA 24141 USA

Web: www.kollmorgen.com

Mail: support@kollmorgen.com

Tel.: +1 - 540 - 633 - 3545

Fax: +1 - 540 - 639 - 4162

Europe

KOLLMORGEN Europe GmbH

Pempelfurtstraße 1
40880 Ratingen, Germany

Web: www.kollmorgen.com

Mail: technik@kollmorgen.com

Tel.: +49 - 2102 - 9394 - 0

Fax: +49 - 2102 - 9394 - 3155

China & Southeast Asia

KOLLMORGEN

Rm 202, Building 3, Lane 168, Linhong
Rd
Changning District, Shanghai, China

Web: www.kollmorgen.cn

Mail: sales.china@kollmorgen.com

Tel.: +86 - 400 - 661 - 2802

Fax: +86 - 21 - 6071 - 0665

KOLLMORGEN[®]

Because Motion Matters™