

RATINGS

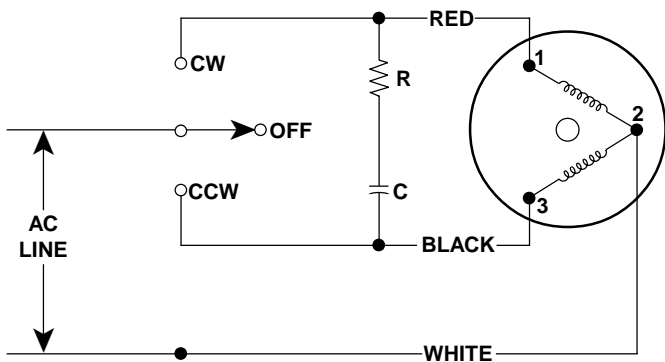
Motor Type	HP	Minimum Running Torque Oz-in (Ncm)		Maximum Load Inertia Lb-In (kg-cm ²)						Input				Connection Diagram*	Shaft Speed (RPM)	
				1-Phase Rigidly Attached		3-Phase Rigidly Attached		1-Phase 5 Flex Coupling		Voltage		Frequency (Hertz)	Current (Amps)			
		60 Hz	50 Hz	60 Hz	50 Hz	60 Hz	50 Hz	1-Phase	3-Phase	60 Hertz	50 Hertz					
SS25	0.0015	25 (17.7)	-	0.44 (1.3)	-	-	-	-	-	120	-	50/60	0.1	A	72	60
SS50	-	50 (35.3)	-	1.5 (4.4)	1.5 (4.4)	-	-	-	-	120	-	50/60	0.3	A	72	60
SS52	-	50 (35.3)	-	1.5 (4.4)	1.5 (4.4)	-	-	-	-	240	-	50/60	0.2	A	72	60
SS80	0.0048	80 (56.6)	-	0.5 (1.47)	0.5 (1.47)	-	-	-	-	120	-	50/60	0.3	A	72	60
SS82	0.0048	80 (56.6)	-	0.5 (1.47)	0.5 (1.47)	-	-	-	-	240	-	50/60	0.2	A	72	60
SS91	0.0054	90 (64)	-	1.6 (4.7)	0.5 (1.47)	-	-	11 (32.2)	4 (11.7)	120	-	50/60	0.25	A	72	60
SS92	0.0054	90 (64)	-	1.6 (4.7)	0.8 (2.3)	-	-	11 (32.2)	4 (11.7)	240	-	50/60	0.15	A	72	60
SS131	0.0077	130 (92)	-	1.8 (5.3)	0.8 (2.3)	-	-	13 (38)	6 (17.6)	120	-	50/60	0.3	A	72	60
SS132	0.0077	130 (92)	-	1.8 (5.3)	0.8 (2.3)	-	-	13 (38)	6 (17.6)	240	-	50/60	0.15	A	72	60
SS150B	0.0089	150 (106)	-	1.5 (4.4)	1.5 (4.4)	-	-	-	-	120	-	50/60	0.45	A	72	60
SS152B	0.0089	150 (106)	-	1.5 (4.4)	1.5 (4.4)	-	-	-	-	240	-	50/60	0.2	A	72	60
SS241	0.013	240 (169)	-	2.5 (7.3)	0.5 (1.47)	-	-	18 (53)	3.5 (10.2)	120	-	50/60	0.4	B	72	60
SS242	0.013	240 (169)	250 (177)	2.5 (7.3)	1 (2.9)	2.5 (7.3)	4 (12)	18 (53)	7 (21)	240	208	50/60	0.2	B	72	60
SS250B	0.015	250 (177)	-	3 (8.8)	3 (8.8)	-	-	-	-	120	-	50/60	0.6	A	72	60
SS252B	0.014	250 (177)	-	3 (8.8)	3 (8.8)	-	-	-	-	240	-	50/60	0.4	A	72	60
X250	0.014	250 (177)	-	3 (8.8)	-	-	-	21 (61)	-	120	-	50/60	0.6	A	72	60
X252	0.014	250 (177)	-	3 (8.8)	-	-	-	21 (61)	-	240	-	50/60	0.4	A	72	60
XD250	0.014	250 (177)	-	3 (8.8)	-	-	-	21 (61)	-	120	-	50/60	0.6	A	72	60
SS400B	-	400 (282)	-	4.5 (13.2)	13 (38)	-	-	-	-	120	-	50/60	0.6	A	72	60
SS402B	-	400 (282)	-	4.5 (13.2)	13 (38)	-	-	-	-	240	-	50/60	0.4	A	72	60
SS451	0.025	450 (318)	-	5.5 (16)	1.3 (3.8)	-	-	38 (111)	9.1 (27)	120	-	50/60	0.8	B	72	60
SS452	0.025	450 (318)	475 (335)	7.5 (22)	2.0 (5.9)	4.5 (13.2)	4.5 (13.2)	52 (152)	14 (41)	240	208	50/60	0.3	B	72	60
SS700	0.042	700 (494)	-	10.2 (30)	-	-	-	71 (208)	-	120	-	50/60	1.1	A	72	60
SS702	0.042	700 (494)	-	10.2 (30)	-	-	-	71 (208)	-	240	-	50/60	0.55	A	72	60
X1100	0.065	1100 (777)	-	9 (26.4)	-	-	-	63 (184)	-	120	-	50/60	3	A	72	60
X1102	0.065	1100 (777)	-	9 (26.4)	-	-	-	63 (184)	-	240	-	50/60	1.5	A	72	60
X1500	0.089	1500 (1059)	-	12 (35.2)	-	-	-	84 (246)	-	120	-	50/60	3	A	72	60
X1502	0.089	1500 (1059)	-	12 (35.2)	-	-	-	84 (246)	-	240	-	50/60	1.5	A	72	60
SS1800	0.107	1800 (1271)	-	47 (138)	-	-	-	-	-	120	-	50/60	4	A	72	60
SS1802	0.107	1800 (1271)	-	47 (138)	-	-	-	-	-	240	-	50/60	2.5	A	72	60
TS25	0.0013	22 (15.5)	-	0.12 (0.35)	-	-	-	0.84 (2.5)	-	120	-	50/60	0.2	A	200	167
TS50	0.003	50 (35.3)	-	0.25 (0.73)	-	-	-	1.75 (5.1)	-	120	-	50/60	0.3	A	200	167
TS52	0.003	50 (35.3)	-	0.25 (0.73)	-	-	-	1.75 (5.1)	-	240	-	50/60	0.2	A	200	167

* Motors that use Connection Diagram A are two-phase motors; Motors using Connection Diagram B are three-phase.

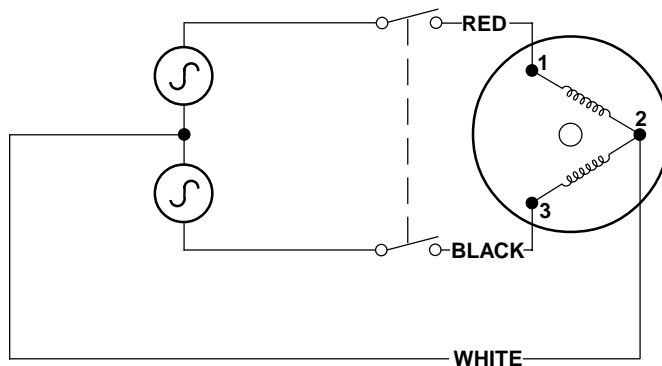
SLO-SYN® AC Synchronous Motors

SPECIFICATIONS

MOTOR TYPE	MINIMUM HOLDING TORQUE				TYPICAL RESIDUAL TORQUE OZ-IN (Ncm)	MAX. RADIAL FORCE LB (N)	MAX. AXIAL FORCE LB (N)	NEMA FRAME SIZE	NET WEIGHT	
	ONE WINDING ON OZ-IN (Ncm)	TWO WINDINGS ON OZ-IN (Ncm)	CURRENT PER WINDING (AMPERES)	DC VOLTS PER WINDING					LB	kg
SS25	30 (21.2)	40 (28.2)	0.07	80	1 (0.7)	15 (67)	25 (111)	23D	1.3	0.6
SS50	50 (35.3)	80 (56.3)	0.15	50	1.5 (1.1)	15 (6.7)	15 (111)	34D	3	1.4
SS52	50 (35.3)	80 (56.3)	0.08	100	1.5 (1.1)	15 (67)	25 (111)	34D	3	1.4
SS80	80 (56.5)	120 (85)	0.15	50	2.0 (1.4)	15 (67)	10 (44.5)	34D	3.5	1.6
SS82	80 (56.5)	120 (85)	0.08	100	2.0 (1.4)	15 (67)	25 (111)	34D	3.5	1.6
SS91	100 (70.6)	150 (106)	0.18	43	5 (3.5)	15 (67)	25 (111)	23D	2	0.9
SS92	100 (70.6)	150 (106)	0.09	86	5 (3.5)	15 (67)	25 (111)	23D	2	0.9
SS131	120 (85)	180 (127)	0.2	42	6 (4.2)	15 (67)	25 (111)	23D	2.75	1.25
SS132	120 (85)	180 (127)	0.1	84	6 (4.2)	15 (67)	25 (111)	23D	2.75	1.25
SS150B	200 (141)	300 (212)	0.51	35	4.0 (2.8)	25 (111)	50 (222)	42C	8	3.6
SS152B	200 (141)	300 (212)	0.26	70	4.0 (2.8)	25 (111)	50 (222)	42C	8	3.6
SS241	350 (247)	-	0.5	85	15 (10.6)	25 (111)	50 (222)	34D	4.1	1.9
SS242	350 (247)	-	0.25	170	15 (10.6)	25 (111)	50 (222)	34D	4.1	1.9
SS250B	280 (198)	450 (318)	0.7	32	6.5 (4.9)	25 (111)	50 (222)	42C	8	3.6
SS252B	280 (198)	450 (318)	0.35	70	6.5 (4.9)	25 (111)	50 (222)	42C	8	3.6
X250	280 (198)	450 (318)	0.5	32	6.5 (4.9)	25 (111)	50 (222)	42D	9	4.1
X252	280 (198)	450 (318)	1	64	6.5 (4.9)	25 (111)	50 (222)	42D	9	4.1
XD250	280 (198)	450 (318)	0.5	32	6.5 (4.9)	25 (111)	50 (222)	42D	9	4.1
SS400B	500 (353)	700 (494)	0.3	64	35 (24.7)	25 (111)	50 (222)	42C	12.3	5.6
SS402B	500 (353)	700 (494)	0.6	30	35 (24.7)	25 (111)	50 (222)	42C	12.3	5.6
SS451	550 (388)	-	0.9	75	25 (17.7)	25 (111)	50 (222)	34D	6.5	3
SS452	550 (388)	-	0.45	150	25 (17.7)	25 (111)	50 (222)	34D	6.5	3
SS700	1000 (706)	1400 (989)	1	20	9 (6.4)	25 (111)	50 (222)	42C	15.5	7
SS702	1000 (706)	1400 (989)	0.5	40	9 (6.4)	25 (111)	50 (222)	42C	15.5	7
X1100	1600 (1130)	2400 (1695)	2.6	14	15 (10.6)	50 (222)	100 (445)	66	36	16
X1102	1600 (1130)	2400 (1695)	1.3	28	15 (10.6)	50 (222)	100 (445)	66	36	16
X1500	2000 (1412)	3000 (2118)	2.2	10	25 (17.7)	50 (222)	100 (445)	66	42	19
X1502	2000 (1412)	3000 (2118)	1.1	20	25 (17.7)	50 (222)	100 (445)	66	42	19
SS1800	2200 (1554)	3000 (2118)	2.4	9.5	20 (14.1)	50 (222)	100 (445)	66	45	20
SS1802	2200 (1554)	3000 (2118)	2.4	19	20 (14.1)	50 (222)	100 (445)	66	45	20
TS25	30 (21.2)	40 (28.2)	0.13	60	1 (0.7)	8 (35.6)	10 (44.5)	23D	2.5	1.1
TS50	55 (38.8)	85 (60)	0.13	50	1.5 (1.1)	15 (67)	25 (111)	34D	5.8	2.6
TS52	55 (38.8)	85 (60)	0.07	100	1.5 (1.1)	15 (67)	25 (111)	34D	5.8	2.6

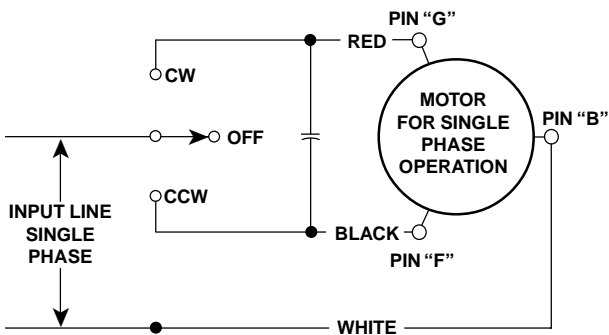


SINGLE-PHASE OPERATION



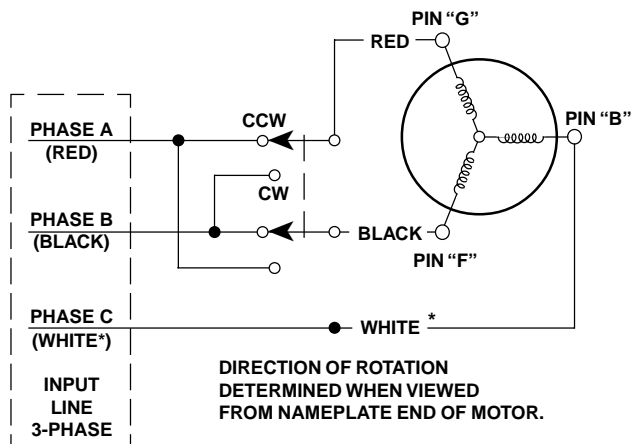
TWO-PHASE OPERATION

CONNECTION DIAGRAM A (2-PHASE MOTORS)



DIRECTION OF ROTATION
DETERMINED WHEN VIEWED
FROM NAMEPLATE END OF MOTOR.

SINGLE-PHASE OPERATION



DIRECTION OF ROTATION
DETERMINED WHEN VIEWED
FROM NAMEPLATE END OF MOTOR.

* — WHITE IS NOT "NEUTRAL".

THREE-PHASE OPERATION

CONNECTION DIAGRAM B (3-PHASE MOTORS)

CONNECTION POINTS

LEAD COLOR	MOTOR CONNECTOR	CABLE CONNECTOR	TERMINAL
RED	G	7	1
BLACK	F	6	3
WHITE	B	2	2

PHASE SHIFTING COMPONENTS

RESISTOR RATING CHART

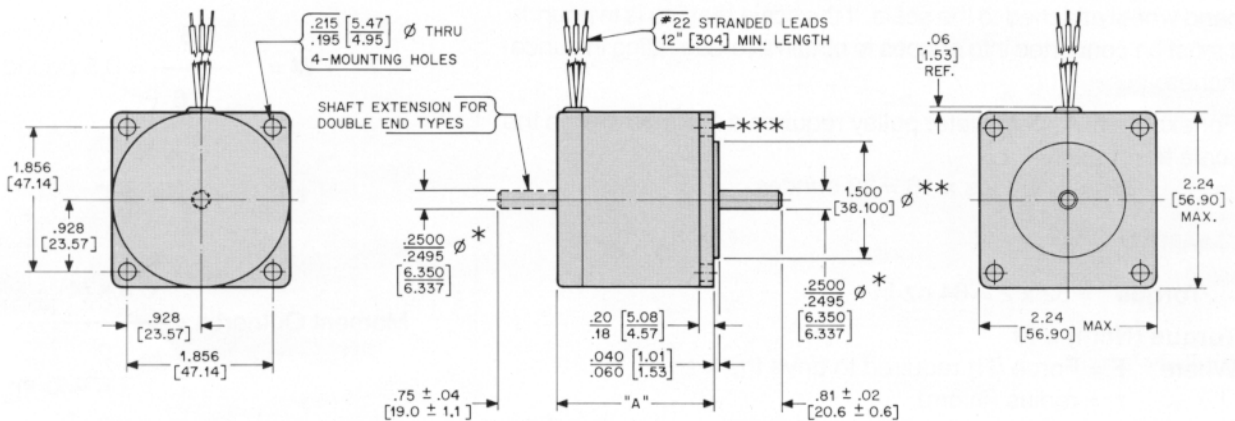
MOTOR	FREQUENCY (Hz)	120 VOLT OPERATION		240 VOLT OPERATION	
		PART NUMBER	RATING (±5%)	PART NUMBER	RATING (±5%)
SS25	50	201052-002	200 ohm, 5 watt	-	-
SS25	60	201052-001	500 ohm, 5 watt	-	-
SS50	50	201052-007	250 ohm, 25 watt	-	-
SS50	60	201052-006	400 ohm, 25 watt	-	-
SS52	50	-	-	201052-004	1000 ohm, 10 watt
SS52	60	-	-	201052-029	1500 ohm, 10 watt
SS80	50	201052-007	250 ohm, 25 watt	-	-
SS80	60	201052-006	400 ohm, 25 watt	-	-
SS82	50	-	-	201052-004	1000 ohm, 10 watt
SS82	60	-	-	201052-029	1500 ohm, 10watt
SS91	50/60	201052-031	500 ohm, 25 watt	-	-
SS92	50/60	-	-	201052-032	2000 ohm, 25 watt
SS131	50/60	201052-007	250 ohm, 25 watt	-	-
SS132	50/60	-	-	A201052-030	1000 ohm, 25 watt
SS150B	50/60	201052-007	250 ohm, 25 watt	-	-
SS152B	50/60	-	-	201052-030	1000 ohm, 25 watt
SS250B	50/60	201052-013	150 ohm, 50 watt	-	-
SS252B	50/60	-	-	201052-015	500 ohm, 50 watt
SS400B	50/60	201052-013	150 ohm, 50 watt	-	-
SS402B	50/60	-	-	201052-015	500 ohm, 50 watt
X250	50/60	201052-013	150 ohm, 50 watt	-	-
X252	50/60	-	-	201052-015	500 ohm, 50 watt
XD250	50/60	201052-013	150 ohm, 50 watt	-	-
SS700	50/60	201052-027	150 ohm, 100 watt	-	-
SS702	50/60	-	-	201052-028	500 ohm, 100 watt
X1100	50/60	201052-025	100 ohm, 160 watt	-	-
X1102	50/60	-	-	201052-026	400 ohm, 160 watt
X1500	50	201052-016	65 ohm, 160 watt	-	-
X1500	60	201052-020	55 ohm, 375 watt	-	-
X1502	50/60	-	-	201052-018	250 ohm, 200 watt
SS1800	50/60	201052-022	40 ohm, 375 watt	-	-
SS1802	50/60	-	-	201052-023	130 ohm, 375 watt
TS25	50	201052-003	125 ohm, 10 watt	-	-
TS25	60	201052-002	200 ohm, 5 watt	-	-
TS50	50/60	201052-010	300 ohm, 25 watt	-	-
TS52	50/60	-	-	201052-012	1200 ohm, 25 watt

CAPACITOR RATING CHART

Motor	Frequency (Hz)	120 Volts		220 Volts		240 Volts	
		Part Number	Rating ($\pm 6\%$)	Part Number	Rating ($\pm 6\%$)	Part Number	Rating ($\pm 6\%$)
SS25	50	201053-023	1 μ fd, 300 Vac	-	-	-	-
SS25	60	201053-022	0.75 μ fd, 330 Vac	-	-	-	-
SS50	50	201053-002	3.3 μ fd, 330 Vac	-	-	-	-
SS50	60	201053-025	2.25 μ fd, 330 Vac	-	-	-	-
SS52	50	-	-	-	-	201053-008	0.8 μ fd, 660 Vac
SS52	60	-	-	-	-	201053-007	0.67 μ fd, 660 Vac
SS80	50	201053-002	3.3 μ fd, 330 Vac	-	-	-	-
SS80	60	201053-025	2.25 μ fd, 330 Vac	-	-	-	-
SS82	50	-	-	-	-	201053-008	0.8 μ fd, 660 Vac
SS82	60	-	-	-	-	201053-007	0.67 μ fd, 660 Vac
SS91	50	201053-044	3 μ fd, 330 Vac	-	-	-	-
SS91	60	201053-041	2.5 μ fd, 330 Vac	-	-	-	-
SS92	50	-	-	201053-008	0.8 μ fd, 370 Vac	201053-008	0.8 μ fd, 370 Vac
SS92	60	-	-	201053-007	0.67 μ fd, 370 Vac	201053-007	0.67 μ fd, 370 Vac
SS131	50	201053-062	3.75 μ fd, 250 Vac	-	-	-	-
SS131	60	201053-044	3 μ fd, 250 Vac	-	-	-	-
SS132	50	-	-	201053-023	1 μ fd, 370 Vac	201053-023	1 μ fd, 370 Vac
SS132	60	-	-	201053-023	0.75 μ fd, 370 Vac	201053-063	0.75 μ fd, 370 Vac
SS150B	50/60	201053-005	3.75 μ fd, 330 Vac	-	-	-	-
SS152B	50	-	-	-	-	201053-034	1.5 μ fd, 660 Vac
SS152B	60	-	-	-	-	201053-023	1.0 μ fd, 660 Vac
SS241	50	201053-066	10 μ fd, 250 Vac	-	-	-	-
SS241	60	201053-037	7.5 μ fd, 250 Vac	-	-	-	-
SS242	50	-	-	201053-041	2.5 μ fd, 250 Vac	201053-038	2 μ fd, 250 Vac
SS242	60	-	-	201053-038	2 μ fd, 250 Vac	201053-038	2 μ fd, 250 Vac
SS250B	50/60	201053-010	6.5 μ fd, 330 Vac	-	-	-	-
SS252B	50	-	-	-	-	201053-030	3.0 μ fd, 660 Vac
SS252B	60	-	-	-	-	201053-036	2.0 μ fd, 660 Vac
X250	50/60	201053-010	6.5 μ fd, 330 Vac	-	-	-	-
X252	50/60	-	-	-	-	201053-012	1.75 μ fd, 660 Vac
XD250	50/60	201053-010	6.5 μ fd, 330 Vac	-	-	-	-
SS400B	50	201053-033	10 μ fd, 330 Vac	-	-	-	-
SS400B	60	201053-010	6.5 μ fd, 330 Vac	-	-	-	-
SS402B	50	-	-	-	-	201053-035	2.5 μ fd, 660 Vac
SS402B	60	-	-	-	-	201053-012	1.75 μ fd, 660 Vac
SS451	50/60	201053-042	14 μ fd, 250 Vac	-	-	-	-
SS452	50	-	-	201053-061	4 μ fd, 250 Vac	201053-061	4 μ fd, 250 Vac
SS452	60	-	-	201053-044	3 μ fd, 250 Vac	201053-044	3 μ fd, 250 Vac
SS700	50	201053-031	15 μ fd, 370 Vac	-	-	-	-
SS700	60	201053-032	12.5 μ fd, 330 Vac	-	-	-	-
SS702	50	-	-	-	-	201053-028	4 μ fd, 660 Vac
SS702	60	-	-	-	-	201053-030	3 μ fd, 660 Vac
X1100	50	201053-027	25 μ fd, 330 Vac	-	-	-	-
X1100	60	201053-026	17.5 μ fd, 330 Vac	-	-	-	-
X1102	50	-	-	-	-	201053-029	6 μ fd, 660 Vac
X1102	60	-	-	-	-	201053-028	-
X1500	50	201053-018	35 μ fd, 440 Vac	-	-	-	-
X1500	60	201053-014	30 μ fd, 330 Vac	-	-	-	-
X1502	50	-	-	-	-	201053-019	9 μ fd, 660 Vac
X1502	60	-	-	-	-	201053-016	8 μ fd, 660 Vac
SS1800	50/60	201053-020	60 μ fd, 330 Vac	-	-	-	-
SS1802	50/60	-	-	-	-	201053-021	15 μ fd, 660 Vac
TS25	50	201053-065	3.0 μ fd, 330 Vac	-	-	-	-
TS25	60	201053-064	2.5 μ fd, 330 Vac	-	-	-	-
TS50	50/60	201053-005	3.75 μ fd, 330 Vac	-	-	-	-
TS52	50/60	-	-	-	-	201053-023	1 μ fd, 660 Vac

AC SYNCHRONOUS MOTOR DIMENSIONS

DIMENSIONS



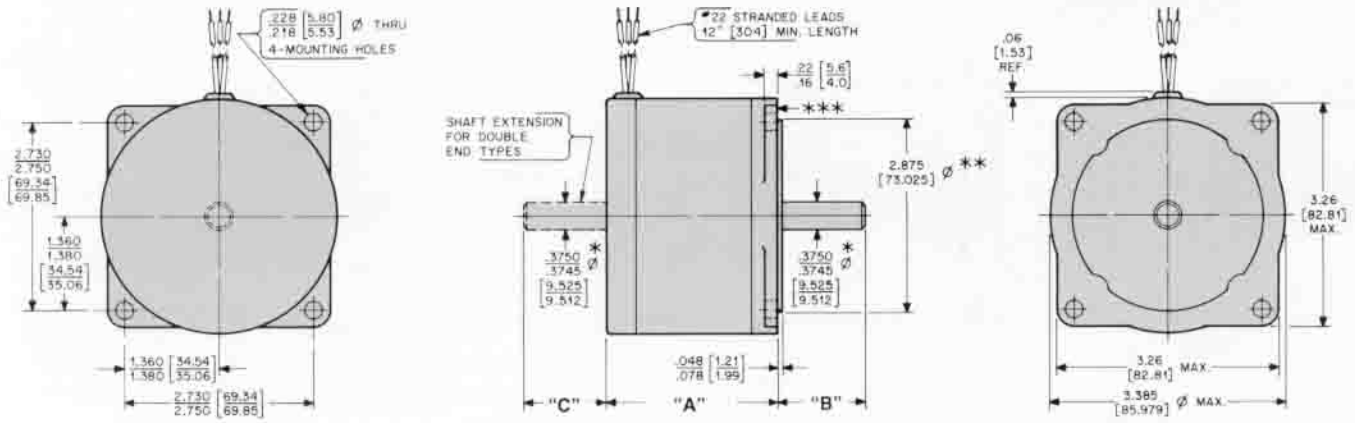
BASIC MOTOR TYPE	"A" MAX.
SS25	2.27 [57.66]
TS25	3.27 [83.06]

- * SHAFT RUNOUT .002 [0.051] MAX.
- ** DIAMETER TOLERANCE ± .002 [0.051]
- ** DIAMETER CONCENTRIC TO SHAFT DIAMETER WITHIN .003 [0.077] T.I.P
- *** SURFACE SQUARE TO SHAFT DIAMETER WITHIN .003 [0.077] T.I.R.

NOTES--

- 1-Dimensions in brackets are millimeters.
- 2-Tolerance on decimals ---
.XXX = ± 0.005 [0.13] unless otherwise specified.
- 3-Dimensions shown apply before painting or plating.
- 4-This drawing shows only those features which are pertinent to the form, fit, and function of the motor.

SS25, SS25E, TS25 and TS25E Motors

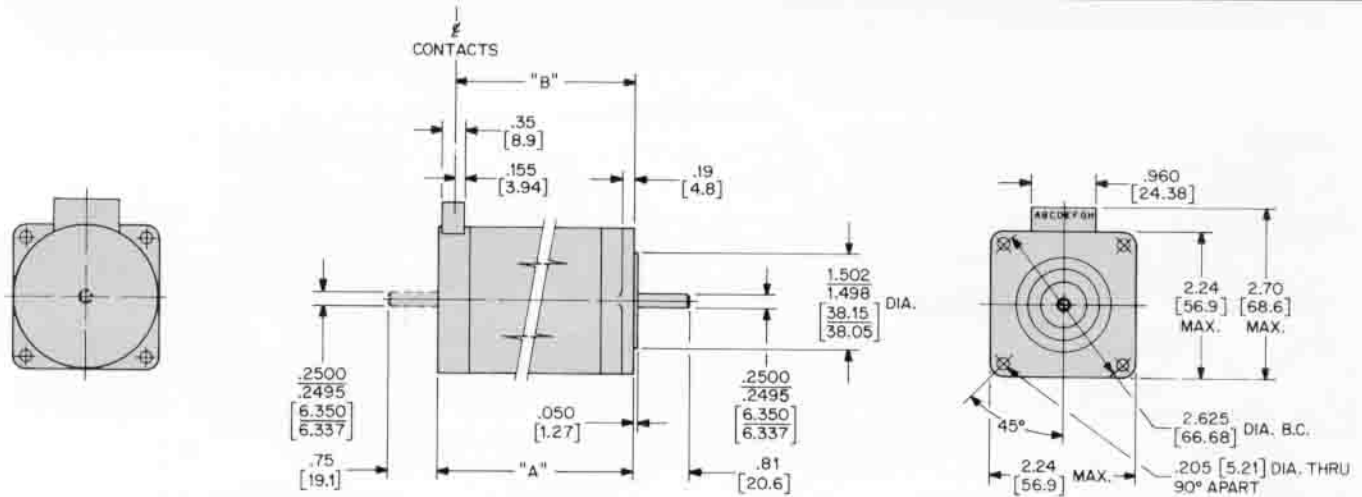


NOTES:--
 1 - Dimensions in brackets are millimeters
 2 - Tolerance on decimals --
 XXX = ±0.005 [0.13] unless otherwise specified.
 3 - Dimensions shown apply before painting or plating
 4 - This drawing shows only those features which are pertinent to the form, fit and function of the motor.

1 - SHAFT RUNOUT .002 [0.051] MAX.
 2 - DIAMETER TOLERANCE ± .002 [0.051] DIAMETER CONCENTRIC TO SHAFT DIAMETER WITHIN .003 [0.077] T.I.R.
 3 - SURFACE SQUARE TO SHAFT DIAMETER WITHIN .003 [0.077] T.I.R.

MOTOR TYPE	"A" MAX.	"B"	"C"
TS50/TS50E/TS52/TS52E	3.72 [94.49]	1.25 [31.8]	1.25 [31.8]
SS50/SS52/SS80/SS80E/SS82/SS82E	2.47 [62.74]	1.19 [30.2]	1.12 [28.4]

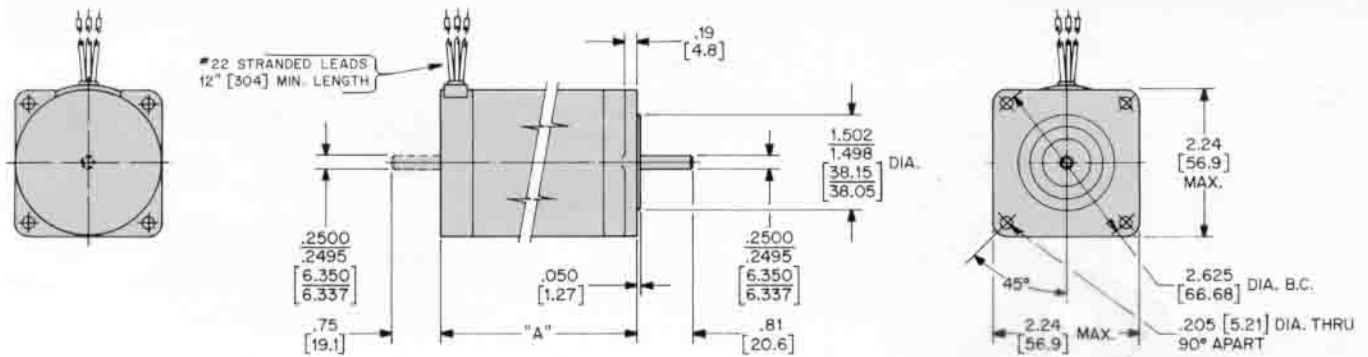
TS50, TS50E, TS52, TS52E, SS50, SS52, SS80, SS80E, SS82 and SS82E Motors



NOTES:--
 1. All dimensions apply before painting/plating.
 2. Dimensions in brackets are millimeters.

MOTOR TYPE	"A" MAX.	"B"
SS91/SS91E SS92/SS92E	3.02 [76.7]	2.64 [67.1]
SS131/SS131E SS132/SS132E	4.02 [102.1]	3.64 [92.5]

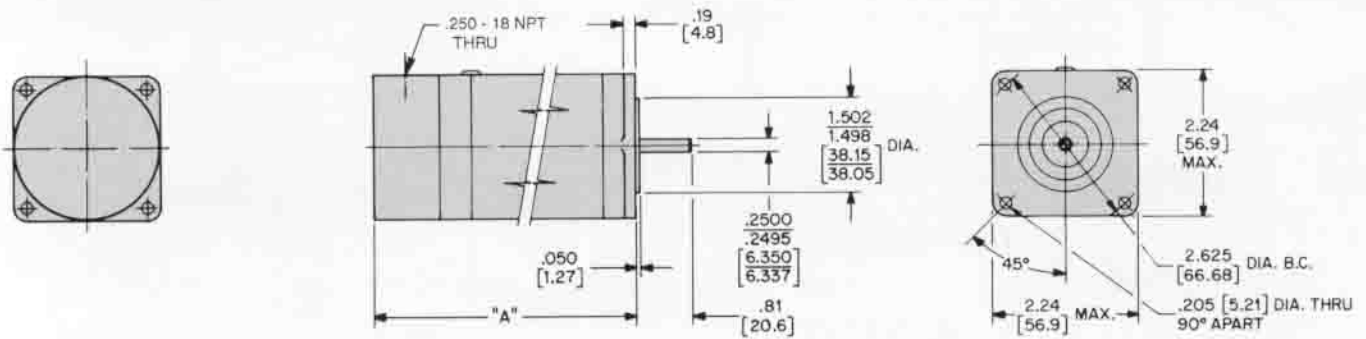
SS91, SS91E, SS92, SS92E, SS131, SS131E, SS132 and SS132E Motors



NOTES:--
 1. All dimensions apply before painting/plating.
 2. Dimensions in brackets are millimeters.

MOTOR TYPE	"A" MAX.
SS91/SS91E SS92/SS92E	3.02 [76.7]
SS131/SS131E SS132/SS132E	4.02 [102.1]

SS91L, SS91LE, SS92L, SS92LE, SS131L, SS131LE, SS132L and SS132LE Motors

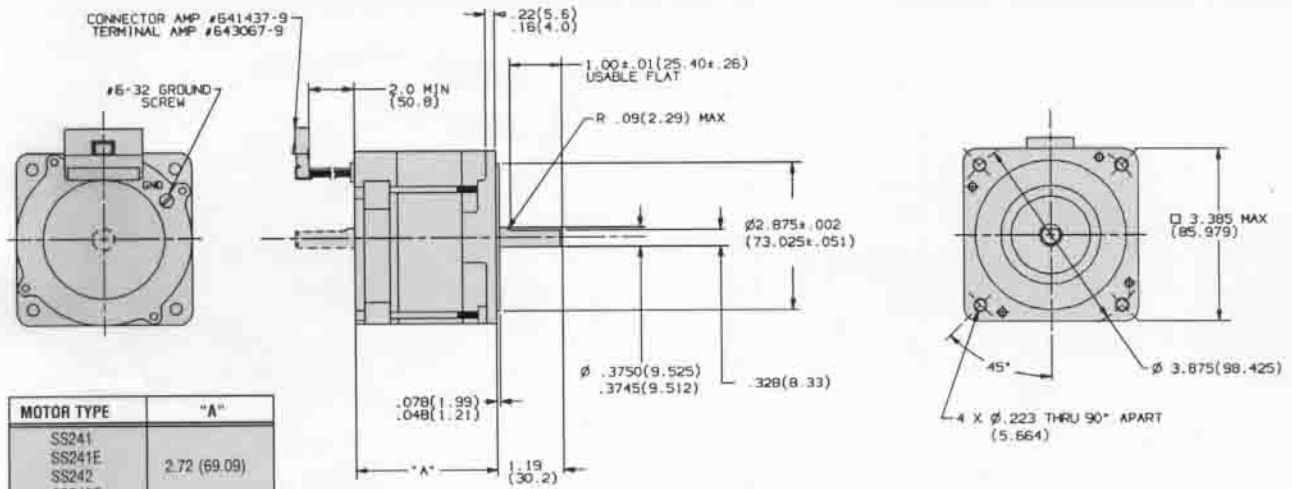


MOTOR TYPE	"A" MAX.
SS91T / SS92T	4.02 [102.1]
SS131T / SS132T	5.02 [137.8]

NOTES:--

1. All dimensions apply before painting/plating.
2. Dimensions in brackets are millimeters.

SS91T, SS92T, SS131T, SS132T Motors

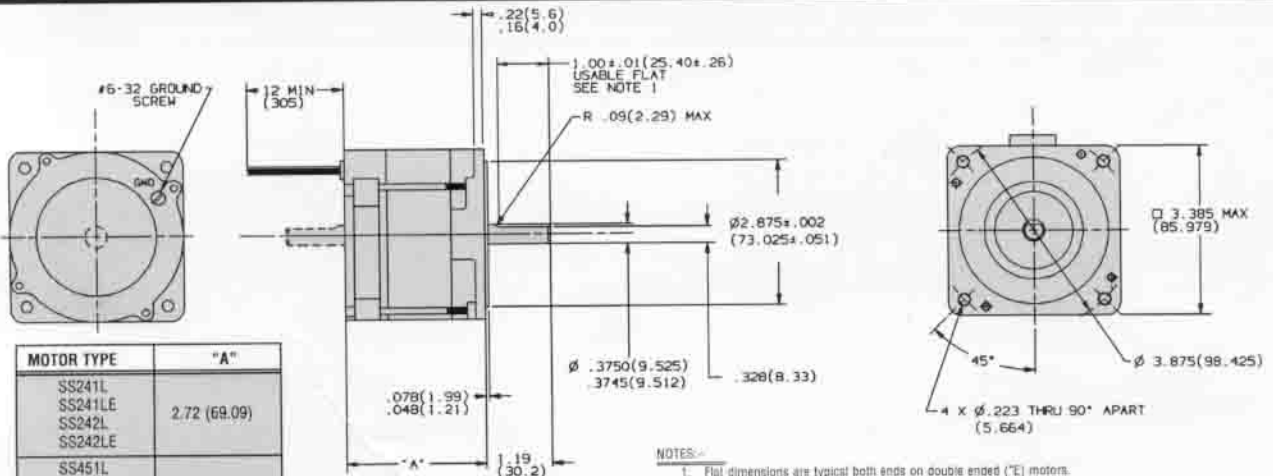


MOTOR TYPE	"A"
SS241 SS241E SS242 SS242E	2.72 (69.09)
SS451 SS451E SS452 SS452E	4.32 (109.73)

NOTES:--

1. Flat dimensions are typical both ends on double ended ("E") motors.
2. All dimensions apply before painting/plating.
3. Dimensions in brackets are millimeters.
4. Mating connector supplied.

SS241, SS241E, SS242, SS242E, SS451, SS451E, SS452 and SS452E Motors



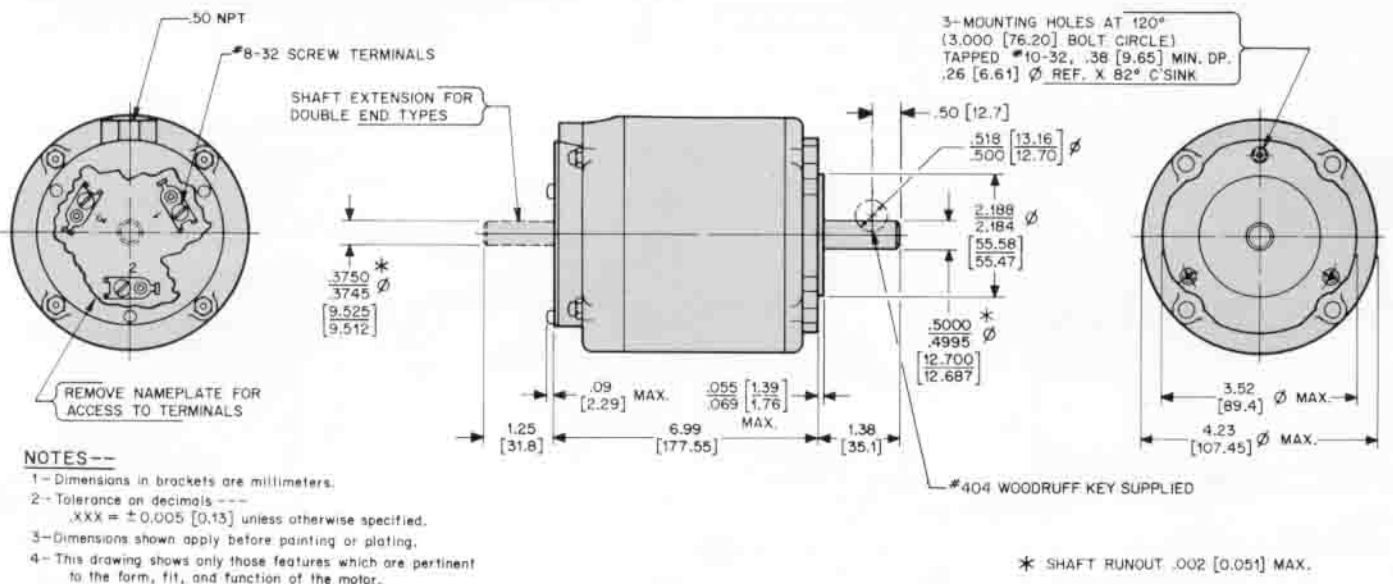
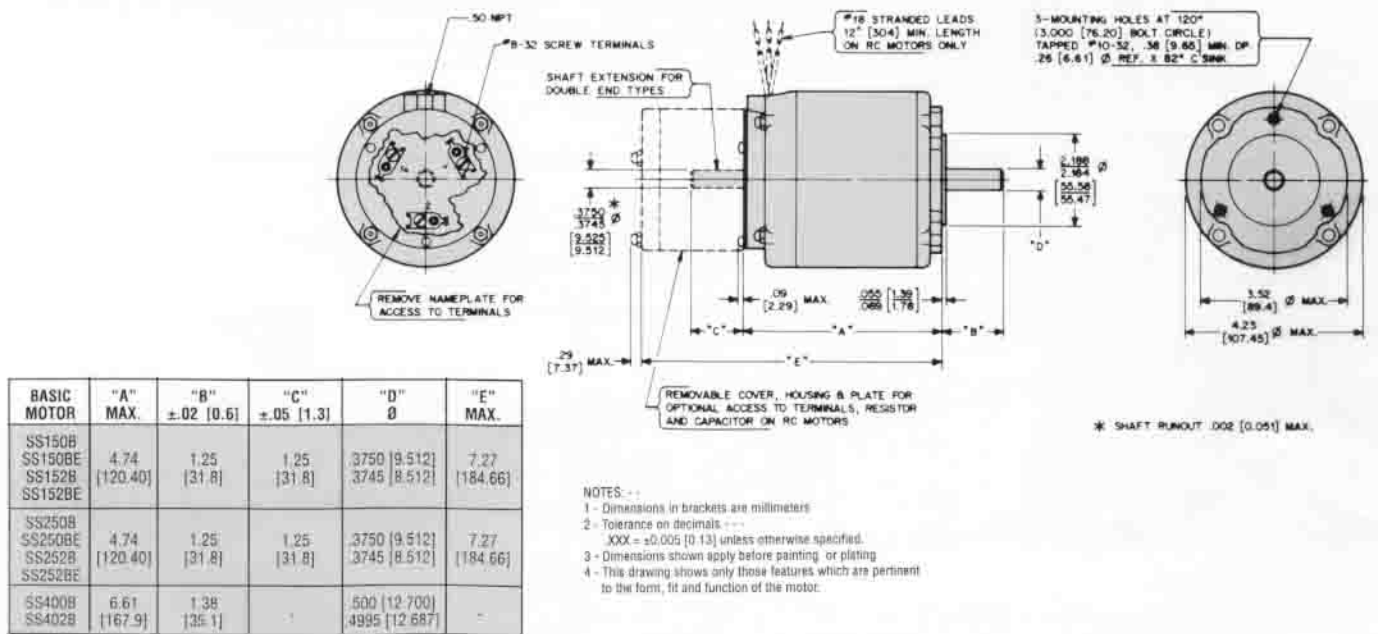
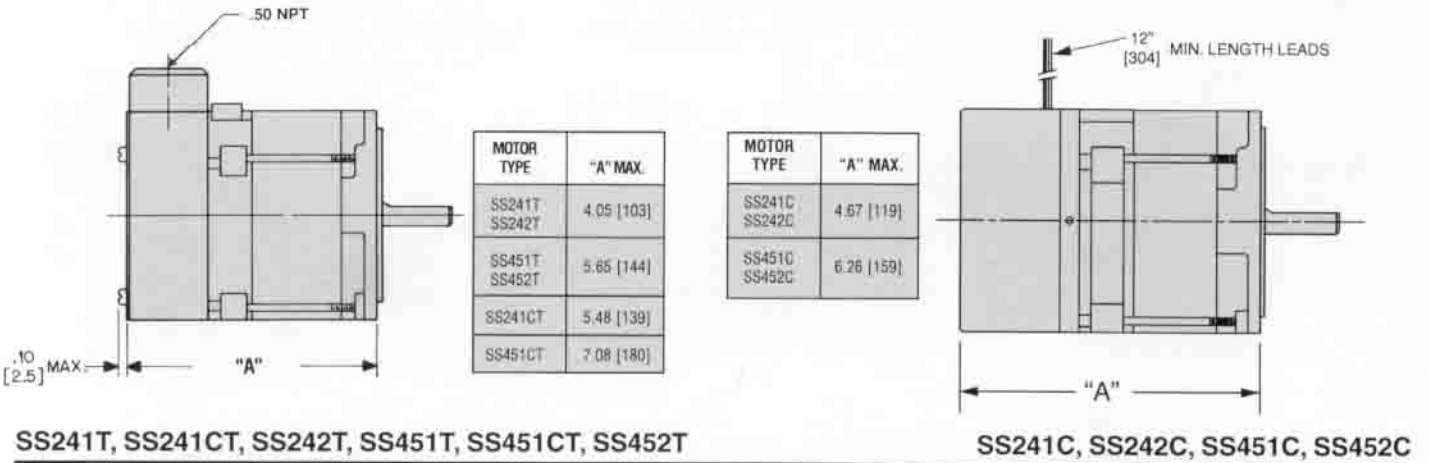
MOTOR TYPE	"A"
SS241L SS241LE SS242L SS242LE	2.72 (69.09)
SS451L SS451LE SS452L SS452LE	4.32 (109.73)

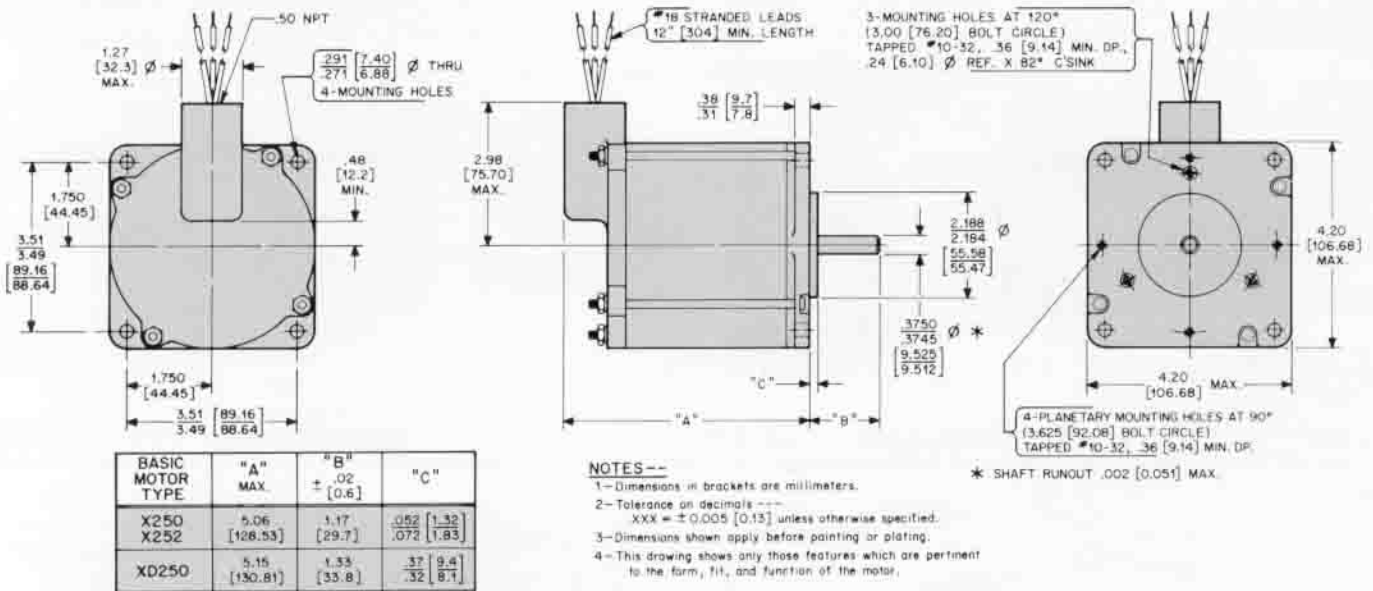
NOTES:--

1. Flat dimensions are typical both ends on double ended ("E") motors.
2. All dimensions apply before painting/plating.
3. Dimensions in brackets are millimeters.

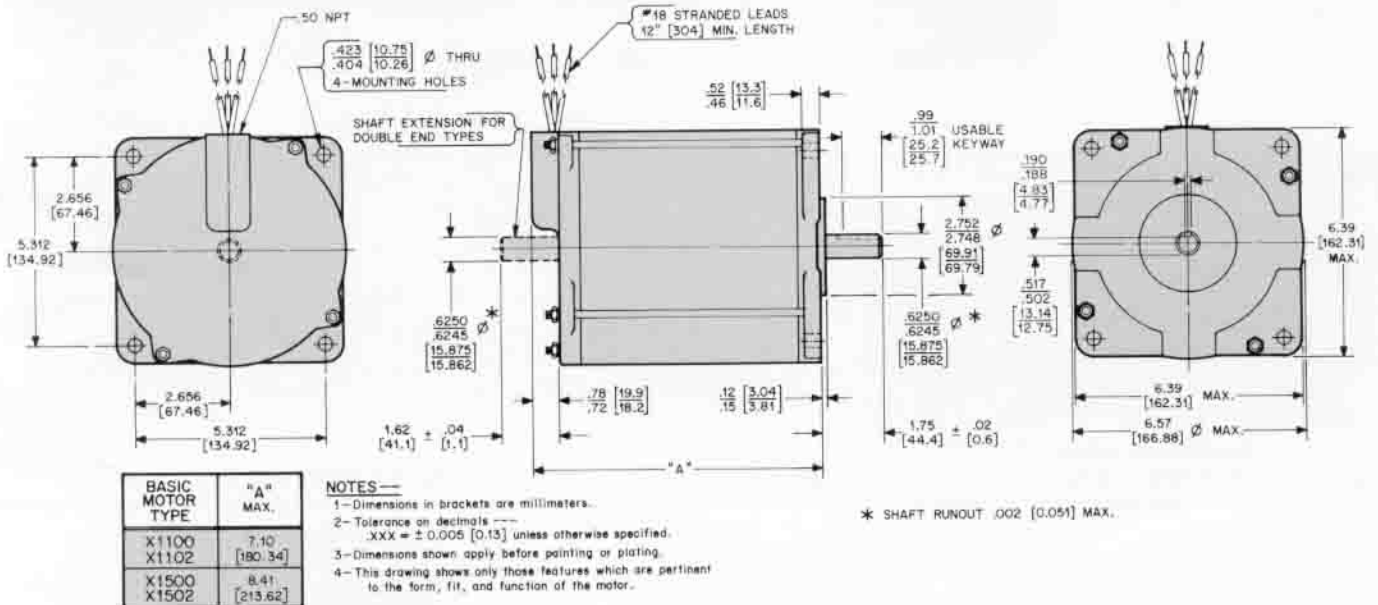
SS241L, SS241LE, SS242L, SS242LE, SS451L, SS451LE, SS452L, SS452LE Motors

SLO-SYN® AC Synchronous Motors

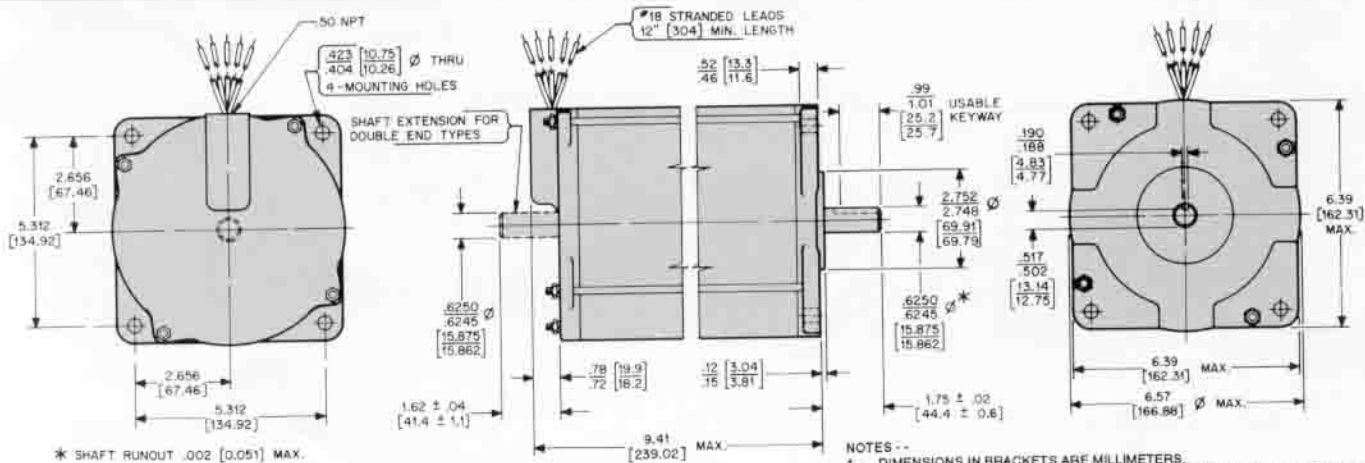




X250, X252 and XD250 Motors



X1100, X1102, X1500 and X1502 Motors



SS1800 and SS1082 Motors