

AKD[®] Central Power Supply

AKD[®] Near Servo Drive

Safety Notes

This document presents the safety information for AKD-C and AKD-N.

For complete information refer to the user documents for the AKD-C and AKD-N. Download the AKD-C and AKD-N Installation Manuals and all Kollmorgen user documents from:

AKD-C
AKD-N



<https://www.kollmorgen.com/en-us/products/drives/servo/akd-n>

Safety Notes Edition: B, October 2021

Part Number: 903-200021-99



For safe and proper use, follow these instructions. Keep for future use.

For environmental reasons, this document was reduced in size and printed on DIN A5. Should you experience difficulties reading the font size of the scaled-down printed version, you can print and use the PDF version in DIN A4 format 1:1. You can find the PDF version on the DVD accompanying the product and on the Kollmorgen website.

Contents



Safety Notes English	(→ # 3)
Safety Notes Deutsch	(→ # 13)
<hr/>	
Approvals (English)	(→ # 23)
Package supplied (English)	(→ # 26)

Documents available from www.kollmorgen.com

- **Installation Manuals** (PDF format):
These manuals provide instructions for installation and device setup.
- **Accessories Manual** (PDF format):
It provides information for accessories like cables and regen resistors used with AKD-C and AKD-N. Regional variants of this manual exist.
- **EtherCAT Communication** (PDF format):
Describes how to use your drive in EtherCAT applications.
- **WorkBench Online help** (WebHelp format):
Describes how to use your devices in common applications. It also provides tips for maximizing your system performance with the AKD-C and AKD-N. The online help includes the *Parameter and Command Reference Guide* which provides information for the parameters and commands used to program the devices.

Technical changes which improve the performance of the device may be made without prior notice!

This document is the intellectual property of Kollmorgen. All rights reserved. No part of this work may be reproduced in any form (by photocopying, microfilm or any other method) or stored, processed, copied or distributed by electronic means without the written permission of Kollmorgen.

1 English

1.1 Product Safety	4
1.1.1 You should pay attention to this	4
1.1.2 Use as Directed AKD-C	6
1.1.3 Prohibited Use AKD-C	7
1.1.4 Use as Directed AKD-N	8
1.1.5 Prohibited Use AKD-N	8
1.1.6 Warning notes placed on the product	9
1.2 Product life cycle handling	10
1.2.1 Transport	10
1.2.2 Packaging	10
1.2.3 Storage	10
1.2.4 Installation, setup and normal operation	11
1.2.5 Decommissioning	11
1.2.6 Maintenance and cleaning	11
1.2.7 Disassembly	11
1.2.8 System Repair	12
1.2.9 Disposal	12

1.1 Product Safety

To avoid possible damage, read and follow the instructions.

1.1.1 You should pay attention to this

This section helps you to recognize and avoid dangers to people and objects.

Specialist staff required!

The devices are intended for industrial applications. Machine builders must employ qualified personnel. Qualified personnel are people who have been trained to transport, install, commission and operate electrical drives.

- Transport, storage, unpacking: only by personnel with knowledge of handling electrostatically sensitive components.
- Mechanical installation: only by personnel with mechanical expertise.
- Electrical installation: only by personnel with expertise in electrical engineering.
- Basic tests / setup: only by personnel with expertise in electrical engineering and drive technology.

The qualified personnel must know and observe ISO 12100 / IEC 60364 / IEC 60664 and national accident prevention regulations.

Read the documentation!

Read the available documentation before installation and commissioning. Improper handling of the devices can cause harm to people or damage to property. The operator of systems using the drive system must ensure that all personnel who work with the drive read and understand the manual before using the drive.

Check Hardware Revision!

Check the Hardware Revision Number of the product (see product label). This number is the link between your product and the manual. The product Hardware Revision Number must match the Hardware Revision Number on the cover page of the manual.

Pay attention to the technical data!

Adhere to the technical data and the specifications on connection conditions. If permissible voltage values or current values are exceeded, the devices can be damaged. Unsuitable motor or wrong wiring will damage the system components. Check the combination of drive and motor. Compare the rated voltage and current of the units.

Perform a risk assessment!

The manufacturer of the machine must generate a risk assessment for the machine, and take appropriate measures to ensure that unforeseen movements cannot cause injury or damage to any person or property. Additional requirements on specialist staff may also result from the risk assessment.

Automatic Restart!

The drive might restart automatically after power on, voltage dip or interruption of the supply voltage, depending on the parameter setting.

Risk of death or serious injury for humans working in the machine.

If the parameter DRV.ENDEFAULT for one AKD-N is set to 1, then place a warning sign to the machine (Warning: Automatic Restart at Power On) and ensure, that power on is not possible, while humans are in a dangerous zone of the machine. In case of using an under-voltage protection device, you must observe EN 60204-1:2006 chapter 7.5 .



Observe electrostatically sensitive components!

The devices contain electrostatically sensitive components which may be damaged by incorrect handling. Electrostatically discharge your body before touching the device. Avoid contact with highly insulating materials (artificial fabrics, plastic film etc.). Place the device on a conductive surface.

**Hot surface!**

Drives may have hot surfaces during operation. The housing can reach temperatures above 80°C. Risk of minor burns! Measure the temperature, and wait until the housing has cooled down below 40 °C before touching it.

**Earthing!**

It is vital that you ensure that the drive is safely earthed to the PE (protective earth) busbar in the switch cabinet. Risk of electric shock. Without low-resistance earthing no personal protection can be guaranteed.

Leakage Current!

Since the leakage current to PE is more than 3.5 mA, in compliance with IEC61800-5-1 the PE connection must either be doubled or a connecting cable with a cross-section >10 mm² must be used. Deviating measures according to regional standards might be possible.

Residual current protective or monitoring devices!

AKD-C with AKD-N can cause a d.c. current in the protective earthing conductor. Where a residual current-protected (RCD) or monitoring (RCM) device is used for protection in case of direct or indirect contact, only an RCD or RCM of Type B is allowed on the supply side of AKD-C.

**Lethal voltages!**

The equipment produces high electric voltages up to 900V. Do not open or touch the equipment during operation. Keep all covers closed.

During operation, AKD-C may have uncovered live sections, according to their level of enclosure protection.

Lethal danger exists at live parts of the device. Built-in protection measures such as insulation or shielding may not be removed. Work on the electrical installation may only be performed by trained and qualified personnel, in compliance with the regulations for safety at work, and only with switched off mains supply, and secured against restart.

Never undo any electrical connections to the AKD-C while it is live. There is a danger of electrical arcing with damage to contacts and personal injury. Wait at least 7 minutes after disconnecting the product from the supply voltages (mains supply and 24V supply) before touching potentially live sections of the equipment (such as contacts) or removing any connections.

Functional Safety

The STO safety implementation on the AKD is certified. The assessment of the safety functions according to EN13849 or EN 62061 must finally be done by the user. Serious injury could result when a suspended load is not properly blocked. Functional safety requires and additional, external mechanical brake, operated by a safety controller.

Never modify the drive!

It is not allowed to modify the drive hardware without permission by the manufacturer. Opening the housing causes loss of warranty.

1.1.2 Use as Directed AKD-C

The AKD-C series power supplies are exclusively intended for operating AKD-N series drives within a decentralized drive system.

AKD-C are components that are built into electrical plants or machines and can only be operated as integral components of these plants or machines. The manufacturer of the machine must generate a risk assessment for the machine.

When the devices are built into machines or plant, the drive must not be used until it has been established that the machine or plant fulfills the requirements of the regional directives.

Kollmorgen Decentralized Drive System

AKD-C series power supply must only be operated in a motion system with components from Kollmorgen. Required additional Kollmorgen components are the "near servo drives" AKD-N, hybrid cables, motor power and feedback cables, servomotors.

Assembling

AKD-C devices must only be operated in environments suitable for the ambient conditions defined in the Installation Manual. Observe the information given in the *Decentralized System Project Guide*.

Wiring

Use only Kollmorgen CCNxN1 series of hybrid cables for connecting AKD-N and AKD-C devices.

Power supply

AKD-C must be powered from a 3 phase industrial supply network (not more than 42 kA symmetrical rated current at 400 V and 480 V).

For the cases of group installations and of DC powered drives

NOTICE

AKD has not been evaluated by Kollmorgen, UL, or TÜV for group installations nor are ratings defined for DC input voltage.

Group installations must be reviewed and evaluated by the user for branch circuit protection*, wire size, wire voltage rating, fuse protection, system dielectric requirements, over-voltage and input** current rating.

In case of DC supplied drives the built-in EMC filter will not work. The user is responsible to keep the conducted emissions and the immunity of the drive within the required noise levels.

* Special care must be taken in branch circuit design with mixed rating drives to avoid the smaller drives becoming the effective 'fuse' rather than the circuit protective fuse.

** The power supply system design must ensure inrush current protection by limiting input current during power up. DC supply polarity must be properly wired. Improper polarity of DC power will damage the drive and void warranty.

Auxiliary voltage supply, Standby power

Standby power for the drive strings must only be used for supplying the AKD-N electronics. 24 VDC supply unit must accord to PELV (EN 60204-1) requirements.

Safe torque off

Review the section "Use as Directed" in the STO chapter in the Installation Manual before using this safety function (SIL2, PLd, category 3 according to ISO 13849).

24 VDC supply unit for global STO supply must accord to PELV (EN 60204-1) requirements.

1.1.3 Prohibited Use AKD-C

Other use than that described in chapter “Use as directed” is not intended and can lead to personnel injuries and equipment damage.

The device may not be used

- with a machine that does not comply with appropriate national directives or standards,
- for driving elevators,
- in applications with continuous, operational short circuits to the external regen resistor contacts.
- in applications with any short circuits to the DC-Bus link contacts.

The use of the device in the following environments is also prohibited:

- potentially explosive areas
- environments with corrosive and/or electrically conductive acids, alkaline solutions, oils, vapors, dusts
- ships or offshore applications

Wiring the system with hybrid cables from other manufacturers than Kollmorgen is not allowed. Changing Kollmorgen cables or connectors is not allowed.

1.1.4 Use as Directed AKD-N

The AKD-N family of drives is exclusively intended for driving suitable synchronous servomotors with closed-loop control of torque, speed, and/or position.

Drives are components that are built into electrical plants or machines and can only be operated as integral components of these plants or machines. The manufacturer of the machine must generate a risk assessment for the machine.

When the drives are built into machines or plant, the drive must not be used until it has been established that the machine or plant fulfills the requirements of the regional directives.

Kollmorgen Decentralized Drive System

AKD-N series drives must only be operated in a motion system with components from Kollmorgen. Required additional Kollmorgen components are the intelligent power supply AKD-C, hybrid cables, motor power and feedback cables, servomotors.

Assembling

AKD-N drives must only be operated in machines suitable for the ambient conditions defined in the Installation Manual. Optional finned heat sink may be necessary to keep the drive flange temperature below 85 °C and enable the axis to operate with maximum power. Observe the information given in the Decentral System Project Guide.

Guide.

Wiring

Use only Kollmorgen CCNxN1 series of hybrid cables for connecting AKD-N and AKD-C devices. For connecting AKD-N to MKD-C devices use MKC-HYB-z-AKN cable only.

Power supply

AKD-N series drives must be powered by AKD-C or MKD-C intelligent power supplies with DC voltage from 55 VDC up to 800 VDC.

Motor voltage rating

The rated voltage of the motors must be at least as high as the DC bus link voltage divided by $\sqrt{2}$ produced by the drive ($U_{nMotor} \geq U_{DC}/\sqrt{2}$).

Safe torque off

Review the section "Use as Directed" in the STO chapter in the Installation Manual before using this safety function (SIL2, PLd, category 3 according to ISO 13849).

The 24 VDC supply unit for local STO supply must accord to PELV (EN 60204-1) requirements.

1.1.5 Prohibited Use AKD-N

Other use than that described in chapter "Use as directed" is not intended and can lead to personnel injuries and equipment damage.

The device may not be used




- with a machine that does not comply with appropriate national directives or standards,
- for driving elevators,
- in ships or offshore applications,
- in applications with continuous, operational short circuits to the motor power contacts.

The use of the device in the following environments is also prohibited:

- potentially explosive areas,
- environments with corrosive and/or electrically conductive acids, alkaline solutions, oils, vapors, dusts.

Wiring the system with hybrid cables from other manufacturers than Kollmorgen is not allowed. Changing Kollmorgen cables or connectors is not allowed.

1.1.6 Warning notes placed on the product

AKD-C	AKD-C	AKD-N
 <p>Wait 7 minutes after removing power before servicing.</p>	 <p>The minimum size of the protective earth conductor shall comply with the local safety regulations for high protective earthing conductor current.</p>	 <p>CAUTION Risk of minor burns! During operation, the heat sink of the drive may reach temperatures above 80 °C (176 °F). Before touching the device, check the temperature and wait until it has cooled below 40 °C (104 °F).</p>

NOTICE

If these signs are damaged, they must be replaced immediately.

1.2 Product life cycle handling

1.2.1 Transport

Transport the device in accordance with IEC 61800-2 as follows:

- Transport only by qualified personnel in the manufacturer's original recyclable packaging.
- Avoid shocks while transporting.
- Store at or below maximum stacking height of 8 cartons
- Transport only within specified temperature ranges: -25 to +70 °C, max. rate of change 20 K/hour, class 2K3.
- Transport only within specified humidity: maximum 95% relative humidity, no condensation, class 2K3.

NOTICE

The devices contain electrostatically sensitive components that can be damaged by incorrect handling. Electrostatically discharge yourself before touching the device. Avoid contact with highly insulating materials, such as artificial fabrics and plastic films. Place the device on a conductive surface.

If the packaging is damaged, check the unit for visible damage. Inform the shipper and the manufacturer of any damage to the package or product.

1.2.2 Packaging

The packaging consists of recyclable cardboard with inserts and a label on the outside of the box.

Model	Package Dimensions (mm) HxWxL	Total Weight (kg)
AKD-C01007	125 x 410 x 295	5
AKD-N00307	120 x 295 x 370	3.2
AKD-N00607	120 x 295 x 370	3.2
AKD-N01207	125 x 410 x 295	approx. 3.5

1.2.3 Storage

Store the device in accordance with IEC 61800-2 as follows:

- Store only in the manufacturer's original recyclable packaging.
- Store at or below maximum stacking height of 8 cartons
- Store only within specified temperature ranges: -25 to +55 °C, max.rate of change 20 K/hour, class 1K4.
- Storage only within specified humidity: 5 to 95% relative humidity, no condensation, class 1K3.
- Store in accordance with the following duration requirements:
 - Less than 1 year: without restriction.
 - More than 1 year: capacitors must be re-formed before setting up and operating the drive. Re-forming procedures are described in the Kollmorgen Developer Network ([Forming](#)).

1.2.4 Installation, setup and normal operation

Installation and setup information are given in the Installation Manual.

Normal operation tested for environmental class 3K3 according to IEC 61800-2 .

The manufacturer of the machine defines the necessary end user expertise based on the risk assessment for the machine and describes the requirements for normal operation based on the application.

1.2.5 Decommissioning

NOTICE

Only professional staff who are qualified in electrical engineering are allowed to decommission parts of the system.

DANGER: Lethal Voltages!

There is a danger of serious personal injury or death by electrical shock or electrical arcing.

- Switch off the main switch of the switchgear cabinet.
- Secure the system against restarting.
- Block the main switch.
- Wait at least 7 minutes after disconnecting.

1.2.5.1 Volatile and non-volatile memory

For Letter of Volatility go to [Letter of Volatility for AKD Drives](#).

1.2.6 Maintenance and cleaning

The device does not require maintenance, it should be inspected once a year by professional staff.

NOTICE

Do not immerse or spray the device. Avoid that liquid enters the device. The inside of the unit can only be cleaned by the manufacturer. Opening the device voids the warranty.

To clean the device exterior:

1. Decommission the device (see chapter 1.2.5 "Decommissioning").
2. Casing: Clean with Isopropanol or similar cleaning solution.

Caution : Highly Flammable! Risk of injury by explosion and fire.

- Observe the safety notes given on the cleaning liquid package.
 - Wait at least 30 minutes after cleaning before putting the device back into operation.
3. Protective grill on fan: Clean with a dry brush.

1.2.7 Disassembly

NOTICE

Only professional staff who are qualified in electrical engineering are allowed to disassemble parts of the system.

1. Decommission the device (see chapter 1.2.5 "Decommissioning").
2. Check temperature.

CAUTION: High Temperature! Risk of minor burns. During operation, the heat sink of the drive may reach temperatures above 80 °C (176 °F). Before touching the device, check the temperature and wait until it has cooled below 40 °C (104 °F).

3. Remove the connectors. Disconnect the potential earth connection last.
4. Demount: loosen the fastening screws. Remove the device.

1.2.8 System Repair

NOTICE

Only professional staff who are qualified in electrical engineering are allowed to exchange parts of the drive system.

CAUTION: Automatic Start! During replacement work a combination of hazards and multiple episodes may occur.

- Work on the electrical installation may only be performed by trained and qualified personnel, in compliance with the regulations for safety at work, and only with use of prescribed personal safety equipment.

Exchange of the device

Only the manufacturer can repair the device. Opening the device voids the warranty.

1. Decommission the device (see chapter 1.2.5 "Decommissioning").
2. Demount the device (see chapter 1.2.7 "Disassembly").
3. Send the device to the manufacturer.
4. Install a new device as described in the Installation Manual.
5. Setup the system as described in the Installation Manual.

Exchange of other drive system parts

If parts of the drive system (for example cables) must be replaced, proceed as follows:

1. Decommission the device (see chapter 1.2.5 "Decommissioning").
2. Exchange the parts.
3. Check all connections for correct fastening.
4. Setup the system as described in the Installation Manual.

1.2.9 Disposal

NOTICE

To dispose the unit properly, contact a certified electronic scrap disposal merchant.

In accordance with the WEEE-2012/19/EU guideline and similar, the manufacturer accepts returns of old devices and accessories for professional disposal. Transport costs are the responsibility of the sender.

Send the devices in the original packaging to the manufacturer address:

North America KOLLMORGEN 201 West Rock Road Radford, VA 24141, USA	South America KOLLMORGEN Avenida João Paulo Ablas, 2970 Jardim da Glória, Cotia – SP CEP 06711-250, Brazil
Europe KOLLMORGEN Europe GmbH Pempelfurtstr. 1 40880 Ratingen, Germany	Asia KOLLMORGEN Room 302, Building 5, Lihpao Plaza, 88 Shenbin Road, Minhang District, Shanghai, China.

2 Deutsch

2.1 Produktsicherheit	14
2.1.1 Das müssen Sie beachten	14
2.1.2 Bestimmungsgemäße Verwendung AKD-C	16
2.1.3 Bestimmungswidrige Verwendung AKD-C	17
2.1.4 Bestimmungsgemäße Verwendung AKD-N	18
2.1.5 Bestimmungswidrige Verwendung AKD-N	18
2.1.6 Warnhinweise auf dem Produkt	19
2.2 Produkt Lebenszyklus, Handhabung	20
2.2.1 Transport	20
2.2.2 Verpackung	20
2.2.3 Lagerung	20
2.2.4 Installation, Setup und Normalbetrieb	21
2.2.5 Wartung und Reinigung	21
2.2.6 Außer Betrieb nehmen	21
2.2.7 Demontage	21
2.2.8 System Reparatur	22
2.2.9 Entsorgung	22

2.1 Produktsicherheit

Um mögliche Schäden zu vermeiden, lesen und befolgen Sie die Anleitungen.

2.1.1 Das müssen Sie beachten

Dieses Kapitel hilft Ihnen, Gefährdungen für Personen und Sachen zu erkennen und zu vermeiden.

Fachpersonal erforderlich

Die Geräte sind für industrielle Anwendungen bestimmt. Maschinenbauer müssen qualifiziertes Personal einsetzen. Qualifiziertes Personal sind Personen, die für Transport, Installation, Inbetriebnahme und Betrieb von elektrischen Antrieben ausgebildet sind.

- Transport, Lagerung, Auspacken: nur durch Personal mit Kenntnissen in der Behandlung elektrostatisch gefährdeter Bauelemente.
- Mechanische Installation: nur durch Personal mit Kenntnissen in mechanischen Arbeiten.
- Elektrische Installation: nur durch Personal mit Kenntnissen in elektrotechnischen Arbeiten.
- Inbetriebnahme: nur durch Fachleute mit weitreichenden Kenntnissen in den Bereichen Elektrotechnik und Antriebstechnik.

Das Fachpersonal muss ebenfalls ISO 12100 / IEC 60364 / IEC 60664 und nationale Unfallverhütungsvorschriften kennen und beachten.

Dokumentation lesen

Lesen Sie vor der Montage und Inbetriebnahme die vorliegende Dokumentation. Falsches Handhaben der Geräte kann zu Personen- oder Sachschäden führen. Der Betreiber muss daher sicherstellen, dass alle mit Arbeiten am Antriebssystem betrauten Personen das Handbuch gelesen und verstanden haben und dass die Sicherheitshinweise in diesem Handbuch beachtet werden.

Hardware Revision prüfen

Prüfen Sie die Hardware-Revisionsnummer des Produkts (siehe Typenschild). Die Nummer ist die Verknüpfung zwischen dem Produkt und dem Handbuch.

Diese Revisionsnummer muss mit der Hardware-Revisionsnummer auf dem Deckblatt der Betriebsanleitung übereinstimmen.

Technische Daten beachten

Halten Sie die technischen Daten und die Angaben zu den Anschlussbedingungen ein. Wenn zulässige Spannungswerte oder Stromwerte überschritten werden, können die Geräte geschädigt werden. Ein ungeeigneter Motor oder fehlerhafte Verdrahtung beschädigen die Systemkomponenten. Prüfen Sie die Kombination aus Servoverstärker und Motor. Gleichen Sie die Nennspannung und den Nennstrom der Komponenten ab.

Risikobeurteilung erstellen

Der Hersteller der Maschine muss eine Risikobeurteilung für die Maschine erstellen und geeignete Maßnahmen treffen, dass unvorhergesehene Bewegungen nicht zu Verletzungen oder Sachschäden führen können. Aus der Risikobeurteilung leiten sich eventuell auch zusätzliche Anforderungen an das Fachpersonal ab.



Automatischer Wiederanlauf!

Der Antrieb kann abhängig von der Parametereinstellung nach dem Einschalten der Netzspannung, bei Spannungseinbrüchen oder Unterbrechungen automatisch anlaufen. Es besteht die Gefahr von tödlichen oder schweren Verletzungen für Personen, die in der Maschine arbeiten.

Wenn der Parameter DRV.ENDEFAULT eines AKD-N auf 1 gesetzt ist, warnen Sie an der Maschine mit einem Warnschild (Warnung: Automatischer Wiederanlauf nach Einschalten!) und stellen Sie sicher, dass ein Einschalten der Netzspannung nicht möglich ist, während sich Personen im gefährdeten Bereich der Maschine aufhalten. Wenn Sie einen Unterspannungsschutz benutzen, beachten Sie Kapitel 7.5 der EN 60204-1:2006.

Elektrostatisch empfindliche Bauteile

Die Geräte enthalten elektrostatisch gefährdete Komponenten, die durch unsachgemäßen Gebrauch beschädigt werden können. Entladen Sie Ihren Körper elektrostatisch, bevor Sie das Gerät berühren. Vermeiden Sie es, hoch isolierende Stoffe zu berühren (Kunstfasern, Plastikfolie usw.). Legen Sie das Gerät auf eine leitfähige Oberfläche.

Heiße Oberfläche



Die Oberflächen von Verstärkern können im Betrieb sehr heiß werden. Das Gehäuse kann Temperaturen über 80 °C erreichen. Gefahr leichter Verbrennungen. Messen Sie die Temperatur. Warten Sie, bis das Gehäuse auf unter 40 °C abgekühlt ist, bevor Sie es berühren.

Erdung



Stellen Sie die ordnungsgemäße Erdung des Gerätes mit der PE-Schiene im Schaltschrank als Bezugspotential sicher. Gefahr durch elektrischen Schlag. Ohne niederohmige Erdung ist keine personelle Sicherheit gewährleistet.

Ableitstrom

Da der Ableitstrom zu PE mehr als 3,5 mA beträgt, muss in Übereinstimmung mit der Norm EN61800-5-1 der PE-Anschluss entweder doppelt ausgeführt oder ein Anschlusskabel mit einem Querschnitt von >10 mm² verwendet werden. Abweichende Maßnahmen sind in Übereinstimmung mit regionalen Vorschriften möglich.

Fehlerstrom Schutzschalter oder Überwachungsgeräte

AKD-C mit AKD-N kann einen Gleichstrom im Schutzerdungsleiter verursachen. Wo für den Schutz im Falle einer direkten oder indirekten Berührung eine Fehlerstrom-Schutzeinrichtung (RCD) oder ein Fehlerstrom-Überwachungsgerät (RCM) verwendet wird, ist auf der Stromversorgungsseite des AKD-C nur ein RCD oder RCM vom Typ B zulässig.

Tödliche Spannungen



Die Geräte erzeugen hohe elektrische Spannungen bis zu 900 V. Öffnen oder berühren Sie die Geräte während des Betriebs nicht. Halten Sie während des Betriebs alle Abdeckungen und Schaltschranktüren geschlossen. Während des Betriebes kann der AKD-C seiner Schutzart entsprechend spannungsführende, blanke Teile besitzen.

An spannungsführenden Teilen besteht unmittelbare Lebensgefahr. Verbaute Schutzmaßnahmen wie Isolationen oder Abschirmungen dürfen nicht entfernt werden. Arbeiten an der elektrischen Anlage sind nur durch geschultes und eingewiesenes Personal, unter Beachtung der Vorschriften für Arbeitssicherheit und nur bei ausgeschalteter und gegen Wiedereinschalten gesicherter elektrischer Versorgung zulässig.

Trennen Sie nie die elektrischen Verbindungen zum AKD-C, während dieser Spannung führt. Es besteht die Gefahr von Lichtbogenbildung mit Verletzungsgefahr (Verbrennungen oder Erblindung) und Schäden an Kontakten. Warten Sie nach dem Trennen des Gerätes von den Versorgungsspannungen (Netzversorgung und 24V Versorgung) mindestens 7 Minuten, bevor Sie Geräteteile, die potenziell Spannung führen (z. B. Kontakte), berühren oder Anschlüsse trennen.

Funktionale Sicherheit

Die Sicherheitsfunktion STO im AKD ist zertifiziert. Die Bewertung der Sicherheitsfunktion nach EN13849 oder EN 62061 ist abschließend durch den Anwender zu erstellen. Schwere Verletzungen können die Folge sein, wenn eine hängende Last nicht sicher blockiert wird. Die funktionale Sicherheit, z.B. bei hängenden Lasten, erfordert eine zusätzliche mechanische Bremse, die sicher betätigt werden muss, z. B. durch eine Sicherheitssteuerung.

Geräte nicht verändern

Veränderung an der Servoverstärker Hardware ohne Erlaubnis des Herstellers sind nicht zulässig. Öffnen der Geräte bedeutet Verlust der Gewährleistung.

2.1.2 Bestimmungsgemäße Verwendung AKD-C

AKD-C Geräte sind ausschließlich für den Betrieb von AKD-N Servoverstärkern in dezentralen Antriebssystemen geeignet.

AKD-C Netzteile sind Komponenten, die in elektrische Anlagen oder Maschinen eingebaut werden und nur als integrierte Bestandteile dieser Anlagen oder Maschinen betrieben werden können. Der Maschinenhersteller muss eine Risikobeurteilung für die Maschine erstellen.

Wenn die AKD-C Geräte in Maschinen oder Anlagen eingebaut werden, darf das Gerät nicht verwendet werden, bis sichergestellt wurde, dass die Maschine oder Anlage die regionalen Richtlinien erfüllt.

Kollmorgen Dezentrales Antriebssystem

AKD-C Netzteile dürfen nur in Antriebssystemen mit Komponenten von Kollmorgen eingesetzt werden. Zusätzlich benötigte Kollmorgen Komponenten sind die Servoverstärker AKD-N, Hybridkabel, Motorleistungskabel und Motorfeedbackkabel sowie Servomotoren.

Montage

AKD-C Geräte dürfen nur in geschlossenen Schaltschränken betrieben werden, die sich für die Umgebungsbedingungen eignen (siehe Betriebsanleitung). Beachten Sie die Hinweise im *Projekthandbuch für Dezentrale Antriebssysteme*.

Verdrahtung

Verwenden Sie nur Kollmorgen Hybridkabel der Serie CCNxN1 für die Verbindung von AKD-C und AKD-N Geräten.

Spannungsversorgung

AKD-C muss an einem 3 phasigen, industriellen Versorgungsnetz betrieben werden (maximaler symmetrischer Nennstrom bei 400 V und 480 V: 42 kA).

Gruppeninstallationen und mit Gleichstrom versorgte Antriebe**ACHTUNG**

Der AKD wurde weder von Kollmorgen, UL noch dem TÜV für Gruppeninstallation untersucht. Es sind keine Werte für eine DC Spannungsversorgung definiert.

Gruppeninstallationen müssen in Bezug auf verzweigte Stromkreise*, Drahtquerschnitt, Nennspannung der Leitung, Absicherung, Spannungsfestigkeit des Systems, Überspannung und Eingangsströme** vom Benutzer überprüft und bewertet werden .

Im Falle von DC versorgten Antrieben ist der eingebauten EMV-Filter wirkungslos. Der Benutzer ist dafür verantwortlich, die leitungsgebundenen Emissionen und die Immunität des Antriebs innerhalb der geforderten Grenzwerte zu halten.

* Besondere Sorgfalt ist notwendig bei verzweigten Stromkreisen mit Antrieben unterschiedlicher Stromstärken, um zu verhindern, dass die kleineren Servoverstärker als "Sicherheit" arbeiten und nicht die vorgesehene Stromkreis-Sicherung.

** Die Gleichstromquelle muss den Einschaltstrom während das Hochfahrens begrenzen. Bei der Verdrahtung der Gleichstromquelle muss die Polarität beachtet werden. Falsche Polarität des Gleichstrom beschädigt den Antrieb und führt zum Verlust der Garantie.

Hilfsspannungsversorgung, Standby Versorgung

Die Standby Versorgung für die Antriebsstränge dürfen nur für die Versorgung der AKD-N Elektronik verwendet werden. Das 24 VDC Netzteil muss die Anforderungen von PELV (EN 60204-1) erfüllen.

Safe Torque Off (STO; sicher abgeschaltetes Moment)

Lesen Sie den Abschnitt "Bestimmungsgemäße Verwendung" im STO Kapitel (siehe Betriebsanleitung) bevor Sie diese Sicherheitsfunktion (SIL2, PLd, Kategorie 3 gemäß ISO 13849) verwenden.

Das 24 VDC Netzteil für die globale STO Versorgung muss die Anforderungen von PELV (EN 60204-1) erfüllen.

2.1.3 Bestimmungswidrige Verwendung AKD-C

Eine andere Verwendung als in Kapitel "Bestimmungsgemäße Verwendung" beschrieben, ist bestimmungswidrig und kann zu Schäden bei Personen, Gerät oder Sachen führen.

Das Gerät darf nicht eingesetzt werden

- in Maschinen, die nicht den geltenden nationalen Richtlinien oder Normen entsprechen.
- zum Antrieb von Aufzügen,
- in Anwendungen mit häufigen, betriebsmäßigen Kurzschlüssen der Anschlüsse des Bremswiderstandes,
- in Anwendungen mit Kurzschlüssen der DC+/DC- Zwischenkreisanschlüsse.

Die Verwendung des Gerätes in den folgenden Umgebungen ist ebenfalls untersagt:

- explosionsgefährdete Bereiche
- Umgebungen korrosiven und/oder elektrisch leitenden Säuren, alkalischen Lösungen, Ölen, Dämpfen
- Schiffe oder Offshore-Anwendungen

Verdrahtung des Systems mit Hybridkabeln anderer Hersteller als Kollmorgen ist nicht erlaubt. Verändern von Kollmorgen Kabeln oder Steckern ist nicht erlaubt.

2.1.4 Bestimmungsgemäße Verwendung AKD-N

Die AKD-N Servoverstärker sind ausschließlich zum Antrieb von geeigneten Synchron-Servomotoren mit geschlossenem Regelkreis vorgesehen. Servoverstärker sind Komponenten, die in elektrische Anlagen oder Maschinen eingebaut werden und nur als integrierte Bestandteile dieser Anlagen oder Maschinen betrieben werden können. Der Maschinenhersteller muss eine Risikobeurteilung für die Maschine erstellen.

Wenn die Servoverstärker in Maschinen oder Anlagen eingebaut werden, darf der Antrieb nicht verwendet werden, bis sichergestellt wurde, dass die Maschine oder Anlage die regionalen Richtlinien erfüllt.

Kollmorgen Dezentrales Antriebssystem

AKD-N Servoverstärker dürfen nur in Antriebssystemen mit Komponenten von Kollmorgen eingesetzt werden. Zusätzlich benötigte Kollmorgen Komponenten sind das intelligente Netzteil AKD-C, Hybridkabel, Motor Leistungskabel und Feedbackkabel, Servomotoren.

Montage

AKD-N Servoverstärker dürfen nur in Maschinen betrieben werden, die sich für die Umgebungsbedingungen eignen (siehe Betriebsanleitung). Eventuell sind Kühlkörper mit Kühlrippen nötig, um die Temperatur des Geräteflansches unter 85 °C zu halten. Beachten Sie auch die Hinweise im *Projektierungshandbuch für Dezentrale Antriebe*.

Verdrahtung

Verwenden Sie nur Kollmorgen CCNxN1 Hybridkabel für die Verbindung von AKD-N und AKD-C Geräten. Anschluss der AKD-N an MKD-C Geräte nur mit MKC-HYB-z-AKN Kabeln.

Spannungsversorgung

AKD-N Servoverstärker müssen von den intelligenten AKD-C oder MKD-C Netzteilen mit einer Gleichspannung von 55 VDC bis 800 VDC versorgt werden.

Motor-Nennspannung

Die Nennspannung der Motoren muss mindestens so hoch sein wie die vom Servoverstärker erzeugte DC-Zwischenkreisspannung geteilt durch $\sqrt{2}$ ($U_{nMotor} \geq U_{DC}/\sqrt{2}$).

Safe Torque Off (STO; sicher abgeschaltetes Moment)

Lesen Sie den Abschnitt "Bestimmungsgemäße Verwendung" im STO Kapitel (siehe Betriebsanleitung) bevor Sie diese Sicherheitsfunktion (SIL2, PLd, Kategorie 3 gemäß ISO 13849) verwenden. Das 24 VDC Netzteil für die Versorgung des lokalen STO muss den Anforderungen der PELV (EN 60204-1) genügen.

2.1.5 Bestimmungswidrige Verwendung AKD-N

Eine andere Verwendung als in Kapitel "Bestimmungsgemäße Verwendung" beschrieben, ist bestimmungswidrig und kann zu Schäden bei Personen, Gerät oder Sachen führen.

Das Gerät darf nicht eingesetzt werden




- in Maschinen, die nicht den geltenden nationalen Richtlinien oder Normen entsprechen,
- zum Antrieb von Aufzügen,
- in Schiffen oder Offshore-Anwendungen,
- in Anwendungen mit häufigen, betriebsmäßigen Kurzschlüssen der Motor Leistungsanschlüsse.

Die Verwendung des Gerätes in den folgenden Umgebungen ist ebenfalls untersagt:

- explosionsgefährdete Bereiche,
- Umgebungen korrosiven und/oder elektrisch leitenden Säuren, alkalischen Lösungen, Ölen, Dämpfen.

Verdrahtung des Systems mit Hybridkabeln anderer Hersteller als Kollmorgen ist nicht erlaubt. Verändern von Kollmorgen Kabeln oder Steckern ist nicht erlaubt.

2.1.6 Warnhinweise auf dem Produkt

AKD-C	AKD-C	AKD-N
 <p>Wait 7 minutes after removing power before servicing.</p>	 <p>The minimum size of the protective earth conductor shall comply with the local safety regulations for high protective earthing conductor current.</p>	 <p>CAUTION Risk of minor burns! During operation, the heat sink of the drive may reach temperatures above 80 °C (176 °F). Before touching the device, check the temperature and wait until it has cooled below 40 °C (104 °F).</p>
<p>Übersetzung:</p> <p>Nach Abschalten 7 Minuten bis zur Wartung abwarten.</p>	<p>Übersetzung:</p> <p>Die Mindestquerschnitt des Schutzleiters muss den lokalen Sicherheitsbestimmungen für hohen Schutzleiterstrom entsprechen.</p>	<p>Übersetzung:</p> <p>VORSICHT Gefahr leichter Verbrennungen! Im Betrieb kann der Kühlkörper Temperaturen über 80 °C erreichen. Bevor Sie das Gerät berühren, messen Sie die Temperatur und warten Sie, bis der Servoverstärker auf unter 40 °C abgekühlt ist.</p>

ACHTUNG

Beschädigte Warnsymbole müssen sofort ersetzt werden.

2.2 Produkt Lebenszyklus, Handhabung

2.2.1 Transport

Transportieren Sie das Gerät gemäß EN 61800-2 wie folgt:

- Transport nur durch qualifiziertes Personal in der Originalverpackung des Herstellers.
- Beim Transport Stöße vermeiden.
- Höchstens mit der maximalen Stapelhöhe (8 Kartons) stapeln.
- Nur innerhalb der angegebenen Temperaturbereiche transportieren: -25 bis +70°C, max. Änderungsrate 20 K/Stunde, Klasse 2K3.
- Nur innerhalb der angegebenen Feuchtigkeitsbereiche transportieren: max. 95 % relative Luftfeuchtigkeit, nicht kondensierend, Klasse 2K3.

ACHTUNG

Die Geräte enthalten elektrostatisch gefährdete Komponenten, die durch unsachgemäßen Gebrauch beschädigt werden können. Entladen Sie sich elektrostatisch, bevor Sie das Gerät berühren. Vermeiden Sie es, hoch isolierende Stoffe zu berühren (Kunstfasern, Plastikfolie usw.). Legen Sie das Gerät auf eine leitfähige Oberfläche.

Wenn die Verpackung beschädigt ist, prüfen Sie das Gerät auf sichtbare Schäden. Informieren Sie Spediteur und Hersteller über Schäden an der Verpackung oder am Produkt.

2.2.2 Verpackung

Die Verpackung besteht aus recyclingfähigem Karton mit Einsätzen und einem Aufkleber auf der Außenseite der Verpackung.

MODELL	Verpackungsmaße (mm) HxBxL	Gesamtgewicht (kg)
AKD-C01007	125 x 410 x 295	5
AKD-N00307	120 x 295 x 370	3,2
AKD-N00607	120 x 295 x 370	3,2
AKD-N01207	125 x 410 x 295	ca. 3,5

2.2.3 Lagerung

Lagern Sie das Gerät gemäß EN 61800-2 wie folgt:

- Nur in der wiederverwertbaren Originalverpackung des Herstellers lagern.
- Höchstens mit der maximalen Stapelhöhe (8 Kartons) stapeln.
- Nur innerhalb der angegebenen Temperaturbereiche lagern: -25 bis +55 °C, max. Änderungsrate 20 K/Stunde, Klasse 1K4.
- Nur innerhalb der angegebenen Feuchtigkeitsbereiche lagern: 5 bis 95 % relative Luftfeuchtigkeit, nicht kondensierend, Klasse 1K3.
- Gemäß den folgenden Anforderungen für die Lagerungsdauer lagern:
 - Weniger als 1 Jahr: keine Beschränkungen.
 - Mehr als 1 Jahr: Kondensatoren müssen formiert werden, bevor der Servoverstärker in Betrieb genommen wird. Formierungstechniken sind im Kollmorgen Developer Network ([Formierung](#)) beschrieben.

2.2.4 Installation, Setup und Normalbetrieb

Information zu Installation und Setup finden Sie in der Betriebsanleitung.

Normalbetrieb getestet für Umgebungsklasse 3K3 gemäß EN 61800-2 .

Der Hersteller der Maschine definiert die erforderlichen Fachkenntnisse des Endnutzers gemäß der Risikobeurteilung für die Maschine und beschreibt abhängig von der Applikation die Erfordernisse für den normalen Betrieb.

2.2.5 Wartung und Reinigung

Das Gerät ist wartungsfrei, es muss einmal im Jahr durch Fachpersonal geprüft werden.

ACHTUNG

Das Gerät nicht in Flüssigkeiten tauchen oder besprühen. Vermeiden Sie, dass Flüssigkeit in das Gerät eindringt. Wenn das Gerät geöffnet wird, erlischt die Garantie. Das Innere des Geräts kann nur vom Hersteller gereinigt werden.

So reinigen Sie das Gerät von außen:

1. Nehmen Sie das Gerät außer Betrieb (siehe Kapitel 2.2.6 "Außer Betrieb nehmen").
2. Gehäuse: Mit Isopropanol oder einer ähnlichen Reinigungslösung reinigen.

VORSICHT : Leicht Entflammbar! Gefahr von Verletzung durch Verpuffung und Feuer.

- Beachten Sie die Sicherheitshinweise auf der Verpackung des Reinigungsmittels.
 - Warten Sie nach der Reinigung mindestens 30 Minuten, bevor Sie das Gerät wieder in Betrieb nehmen.
3. Schutzgitter am Lüfter: Mit einer trockenen Bürste reinigen.

2.2.6 Außer Betrieb nehmen

ACHTUNG

Nur Fachpersonal mit Kenntnissen im Bereich der Elektrotechnik darf Systemkomponenten außer Betrieb nehmen.

GEFAHR: Tödliche Spannung! Es besteht die Gefahr von schweren oder tödlichen Verletzungen durch elektrischen Schlag oder Lichtbogenbildung.

- Schalten Sie den Hauptschalter des Schaltschranks aus.
- Sichern Sie das System gegen Wiedereinschalten.
- Blockieren Sie den Hauptschalter .
- Warten Sie mindestens 7 Minuten nach Abschalten der Spannung.

2.2.7 Demontage

ACHTUNG

Nur Fachpersonal mit Kenntnissen im Bereich der Elektrotechnik darf Systemkomponenten demontieren.

1. Nehmen Sie das Gerät außer Betrieb (siehe Kapitel 2.2.6 "Außer Betrieb nehmen").
2. Prüfen Sie die Temperatur.

VORSICHT: Hohe Temperatur! Gefahr leichter Verbrennungen. Im Betrieb kann der Kühlkörper Temperaturen über 80 °C erreichen. Bevor Sie das Gerät berühren, messen Sie die Temperatur und warten Sie, bis der Servoverstärker auf unter 40 °C abgekühlt ist.

3. Entfernen Sie die Stecker. Trennen Sie den PE Anschluss zuletzt.
4. Ausbauen: Lösen Sie die Befestigungsschrauben und entfernen Sie das Gerät.

2.2.8 System Reparatur

ACHTUNG

Nur Fachpersonal mit Kenntnissen im Bereich der Elektrotechnik darf Systemkomponenten austauschen.

VORSICHT: Unerwarteter Anlauf! Bei der Durchführung von Austauscharbeiten kann es zur Kombination von Gefährdungen und multiplen Folgen kommen.

- Arbeiten sind nur unter Beachtung der Vorschriften für Arbeitssicherheit, durch geschultes Personal und mit Benutzung der jeweils vorgeschriebenen persönlichen Schutzausrüstung zulässig.

Austausch des Gerätes

Nur der Hersteller kann das Gerät reparieren. Öffnen des Gerätes bedeutet Verlust der Gewährleistung.

1. Nehmen Sie das Gerät außer Betrieb (siehe Kapitel 2.2.6 "Außer Betrieb nehmen").
2. Demontieren Sie das Gerät (siehe Kapitel 2.2.7 "Demontage").
3. Senden Sie das Gerät an den Hersteller.
4. Installieren Sie ein neues Gerät wie in der Betriebsanleitung beschrieben.
5. Nehmen Sie das System in Betrieb, wie in der Betriebsanleitung beschrieben.

Austausch sonstiger Teile des Antriebssystems

Wenn Teile des Antriebssystems ausgetauscht werden müssen (zum Beispiel Kabel), gehen Sie wie folgt vor:

1. Nehmen Sie das Gerät außer Betrieb (siehe Kapitel 2.2.6 "Außer Betrieb nehmen").
2. Tauschen Sie die Teile aus.
3. Prüfen Sie alle Steckverbindungen auf korrekten Sitz.
4. Nehmen Sie das System in Betrieb, wie in der Betriebsanleitung beschrieben.

2.2.9 Entsorgung

ACHTUNG

Für die fachgerechte Entsorgung des Gerätes wenden Sie sich an einen zertifizierten Elektronikschrottverwerter.

Gemäß der Richtlinie WEEE-2012/19/EG u.ä. nimmt der Hersteller Altgeräte und Zubehör zur fachgerechten Entsorgung zurück. Die Transportkosten muss der Versender tragen.

Senden Sie die Geräte in der Originalverpackung an die in der folgenden Tabelle aufgeführten Herstelleradressen.

Nordamerika KOLLMORGEN 201 West Rock Road Radford, VA 24141, USA	Südamerika KOLLMORGEN Avenida João Paulo Ablas, 2970 Jardim da Glória, Cotia – SP CEP 06711-250, Brazil
Europa KOLLMORGEN Europe GmbH Pempelfurtstr. 1 40880 Ratingen, Germany	Asien KOLLMORGEN Room 302, Building 5, Lihpao Plaza, 88 Shenbin Road, Minhang District, Shanghai, China.

3 Approvals

3.1 Conformance with EC Machinery Directive, Functional Safety

Conformance with the EC Machinery Directive 2006/42/EU is mandatory for the supply of safety components within the European Community. The STO safety implementation on the AKD is certified by TÜV. The safety circuit implementation used for the safety function "Safe Torque Off" in the drives is suited for SIL 2 according to IEC 62061 and PLd / CAT3 according to ISO 13849-1.

Safe Torque Off (STO) string type (global)

Structure	STO	ISO 13849-1	MTTF _d	IEC 62061	PFH [1/h]	SFF [%]	T _M [Years]
AKD-C + 1 x AKD-N	global	PL d, CAT 3	≥ 100	SIL 2	2.99E-08	97.08	20
AKD-C + 8 x AKD-N	global	PL d, CAT 3	≥ 100	SIL 2	3.07E-08	99.44	20

Safe Torque Off (STO) single drive type (local)

Structure	STO	ISO 13849-1	MTTF _d	IEC 62061	PFH [1/h]	SFF [%]	T _M [Years]
1 x AKD-N-DS/DT	local	PL d, CAT 3	≥ 100	SIL 2	2.9E-08	97.12	20

3.2 Conformance with EC Low Voltage and EMC Directives

EU Declarations of Conformity can be found on the [Kollmorgen website](#).

Conformance with the EC EMC Directive 2014/30/EU and the Low Voltage Directive 2014/35/EU is mandatory for the supply of drives within the European Community.

The devices have been tested by an authorized testing laboratory in a defined configuration, using the system components that are described in this documentation. Any divergence from the configuration and installation described in this documentation means that the user will be responsible for carrying out new measurements to ensure conformance with regulatory requirements.

The AKD-C/N meet the noise immunity requirements to the 2nd environmental category (industrial environment). For noise emission the AKD-C/N meet the requirement to a product of the Category C2.

NOTICE

These devices can cause high-frequency interferences in non industrial environments and may require measures for interference suppression (such as additional external EMC filters).

3.3 Conformance with UL/cUL

This device is listed under UL (Underwriters Laboratories Inc.) file number **E217428**.

UL Markings / Marquages UL

English	Français
<ul style="list-style-type: none"> This product is suitable for use on a circuit capable of delivering not more than 42,000 rms symmetrical amperes, 480 V maximum. 	<ul style="list-style-type: none"> <i>Ce produit est conçu pour une utilisation sur un circuit capable de fournir 42.000 ampères symétriques (rms) maximum pour 480 V maximum.</i>
<ul style="list-style-type: none"> Maximum surrounding air temperature 40°C. 	<ul style="list-style-type: none"> <i>La température maximale de l'air ambiant de 40°C.</i>
<ul style="list-style-type: none"> AKD-C are intended to be used in a pollution degree 2 environment. 	<ul style="list-style-type: none"> <i>AKD-C sont prévus pour une utilisation dans un environnement de pollution de niveau 2.</i>
<ul style="list-style-type: none"> AKD-C : Use 60/75°C copper wire only. 	<ul style="list-style-type: none"> <i>AKD-C: Utilisez seulement un fil cuivre 60/75°C.</i>
<ul style="list-style-type: none"> AKD-C : CAUTION Risk of Electrical Shock! Capacitors can have dangerous voltages present up to 7 minutes after switching off the supply power. For increased safety, measure the voltage in the DC bus link and wait until the voltage is below 50 V. 	<ul style="list-style-type: none"> AKD-C : ATTENTION: Risque de choc électrique! Des tensions dangereuses peuvent persister dans les condensateurs jusqu'à 7 minutes après la mise hors tension. Pour plus de sécurité, mesurez la tension dans la liaison de bus CC et attendez qu'elle soit inférieure à 50 V.
<ul style="list-style-type: none"> For use in Canada: Transient surge suppression shall be installed on the line side of this equipment and shall be rated 277 V (phase to ground), 480 V (phase to phase), suitable for overvoltage category III, and shall provide protection for a rated impulse withstand voltage peak of 2 kV. 	<ul style="list-style-type: none"> <i>Pour utilisation au Canada: Suppression de surtension transitoire doit être installé sur le côté de la ligne de ce matériel et doit être évalué 277 V (phase à terre) , 480 V (entre phases) , adapté à la catégorie de surtension III , et doit fournir une protection pour un choc nominale supporter la tension de crête de 2 kV.</i>

- The following fuse types are recommended for branch circuit protection for AKD-C01007-CBXX:
Les types de fusibles suivants sont recommandés pour protection de secteur pour AKD-C01007-CBXX:

Model/ Modèle	Class/ Classe	Voltage Rating/ Niveau de tension	Max. Fuse&SCC Rating/ Niveau maximum & SCC
Nonrenewable Cartridge fuse	CC, J	600 VAC	20 A, 200 kA

- The following table illustrates the torque requirements for the field wiring connectors :
Le tableau suivant indique les spécifications de couple pour les connecteurs de câblage sur site:

Model/Modèle	Torque/Couple serrage, LB IN (Nm)	Wire size/Section de fil, AWG (mm²)
AKD-C X12	6.2 - 7.1 (0.7 - 0.8)	12 - 8 (4 - 10)
AKD-C X20A	6.2 - 7.1 (0.7 - 0.8)	12 - 8 (4 - 10)
AKD-C X21A	6.2 - 7.1 (0.7 - 0.8)	12 - 8 (4 - 10)
AKD-C X14	6.2 - 7.1 (0.7 - 0.8)	12 - 8 (4 - 10)
AKD-C X13	1.8 - 2.2 (0.2 - 0.25)	14 - 12 (2.5 - 4)
AKD-C X15	1.8 - 2.2 (0.2 - 0.25)	20 - 18 (0.5 - 0.8)
AKD-C X16	1.8 - 2.2 (0.2 - 0.25)	20 - 18 (0.5 - 0.8)

- Split gage of AKD-N screwed connectors: max. 2.8 mm.
Le gage de split des connecteurs vissé d'AKD-N: 2,8 mm max.
- Cold plate for AKD-N: at 40°C surrounding air temperature and 680 VDC supply voltage:
Plaque froide pour AKD-N: à température ambiante 40°C et tension d'alimentation 680 VDC:
 - AKD-N00307: 240 mm x 240 mm x 10 mm or equivalent (LxWxT, Aluminum cold plate, uncoated)
 - AKD-N00607: 500 mm x 500 mm x 10 mm or equivalent (LxWxT, Aluminum cold plate, uncoated)
 - AKD-N01207: 480 mm x 400 mm x 84 mm or equivalent (LxWxT, 31 vertical fins, Aluminum heat sink, uncoated)

3.4 Conformance with REACH

EU Regulation no. 1907/2006 deals with the registration, evaluation, authorization and restriction of chemical substances 1 (abbreviated to "REACH").

The device does not contain any substances (CMR substances, PBT substances, vPvB substances and similar hazardous substances stipulated in individual cases based on scientific criteria) above 0.1 mass percent per product that are included on the candidate list.

3.5 Conformance with RoHS

The device is manufactured in conformance with RoHS Directive 2011/65/EU with delegated directive 2015/863/EU for installation into a machine.

3.6 Conformance with EAC

EAC is the abbreviation for Eurasian Conformity. The mark is used in the states of the Eurasian Customs Union (Russia, Belarus, Kazakhstan) similar to the European CE mark.

Kollmorgen declares, that the device has passed all required conformity procedures in a member state of the Eurasian Customs Union, and that the device meets all technical requirements requested in the member states of the Eurasian Customs Union:

- Low voltage (TP TC 020/2011)
- Electromagnetic Compatibility (TP TC 004/2011)

Contact: SERVOSTAR LLC. , Bld.1, Semyonovskaya nab. 2/1, RU-105094 Moskau

4 Package Supplied

4.1 AKD Central Power Supply

The following items are included in the package:

- AKD-C
- Printed copy of *AKD-C/N Safety Notes*
- DVD containing the setup software, WorkBench and all product documentation in digital format
- Mating connectors X12, X13, X14, X15, X16
- Two connector covers M23

NOTE

The M23 connector covers are required for protecting X2 of the last AKD-N in the strings.

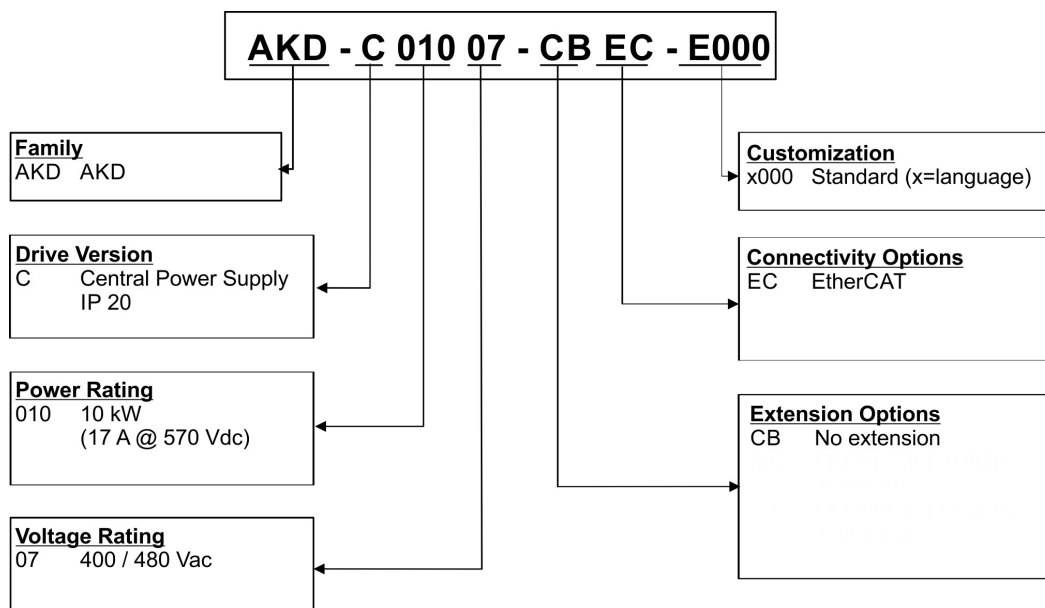
Spare parts

Spare parts are described in the regional accessories manual:

- Connector Kit (X12...16)
- Shield clamp SK14

Part Number Scheme

Use the part number scheme for product identification only. Do not use it for the ordering process.



4.2 AKD Near Servo Drive

The following items are included in the package:

- AKD-N with four mounting clamps
- Printed copy of *AKD-C/N Safety Notes*
- DVD containing the setup software, WorkBench and all product documentation in digital format
- Two connector covers M12 (for not used X3 and X6)

NOTE

The mating connectors are not included in the package. The M23 connector cover protecting X2 of the last AKD-N in a string is part of the AKD-C delivery package.

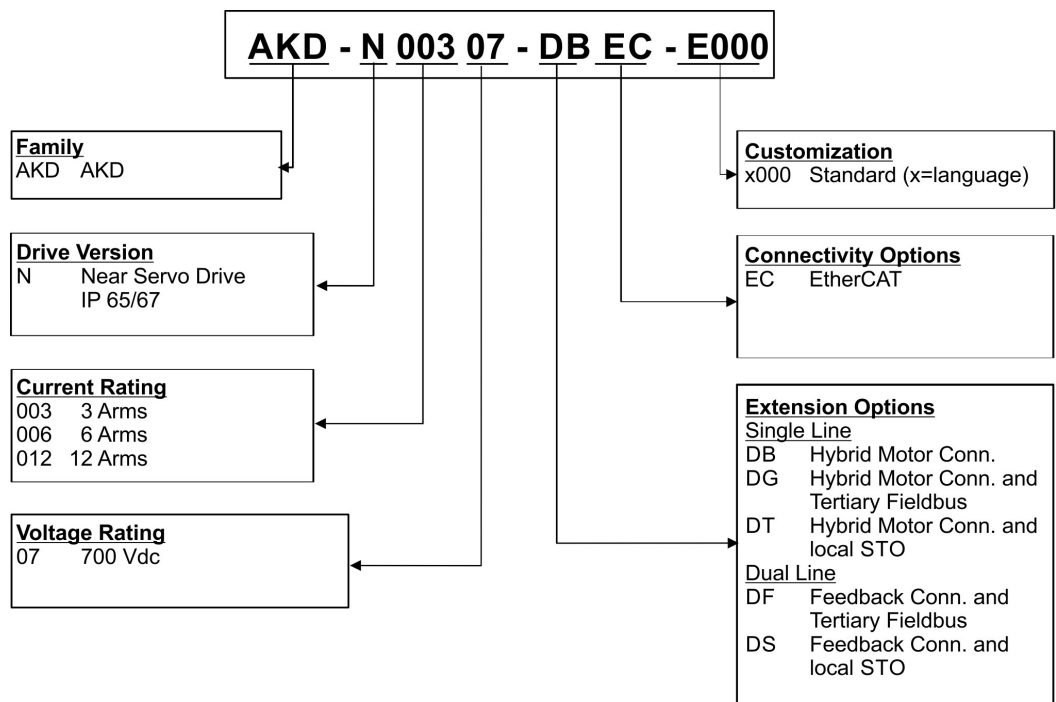
Spare parts

Spare parts are described in the regional accessories manual:

- Mounting clamps set
- Sealing plug set for connectors

Part Number Scheme

Use the part number scheme for product identification only. Do not use is for the ordering process..



About KOLLMORGEN

Kollmorgen is a leading provider of motion systems and components for machine builders. Through world-class knowledge in motion, industry-leading quality and deep expertise in linking and integrating standard and custom products, Kollmorgen delivers breakthrough solutions that are unmatched in performance, reliability and ease-of-use, giving machine builders an irrefutable marketplace advantage.



Join the [Kollmorgen Developer Network](#) for product support. Ask the community questions, search the knowledge base for answers, get downloads, and suggest improvements.

North America

KOLLMORGEN

201 West Rock Road
Radford, VA 24141, USA

Web: www.kollmorgen.com
Mail: support@kollmorgen.com
Tel.: +1 - 540 - 633 - 3545
Fax: +1 - 540 - 639 - 4162

Europe

KOLLMORGEN Europe GmbH

Pempelfurtstr. 1
40880 Ratingen, Germany

Web: www.kollmorgen.com
Mail: technik@kollmorgen.com
Tel.: +49 - 2102 - 9394 - 0
Fax: +49 - 2102 - 9394 - 3155

South America

KOLLMORGEN

Avenida João Paulo Ablas, 2970
Jardim da Glória, Cotia – SP
CEP 06711-250, Brazil

Web: www.kollmorgen.com
Mail: contato@kollmorgen.com
Tel.: +55 11 4615-6300

China and SEA

KOLLMORGEN

Room 302, Building 5, Lihpao Plaza,
88 Shenbin Road, Minhang District,
Shanghai, China.

Web: www.kollmorgen.cn
Mail: sales.china@kollmorgen.com
Tel.: +86 - 400 668 2802
Fax: +86 - 21 6248 5367