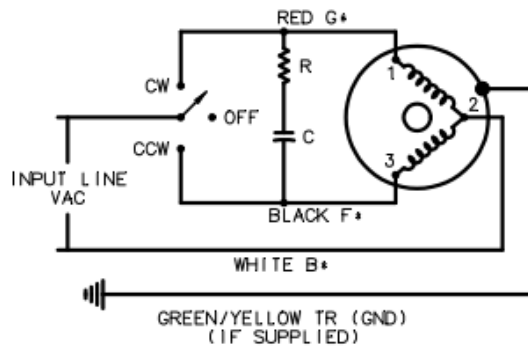


Eight (8) Pin AC Synchronous Stepper Motor

Connection points is

LEAD COLOR	MOTOR CONNECTOR
RED	G
BLACK	F
WHITE	B



Red goes to Resistor
 White goes to Neutral (center tap of the two coils)
 Black goes to Capacitor.

AC power to Red & White causes CW rotation. AC power to Black & White causes CCW rotation.

