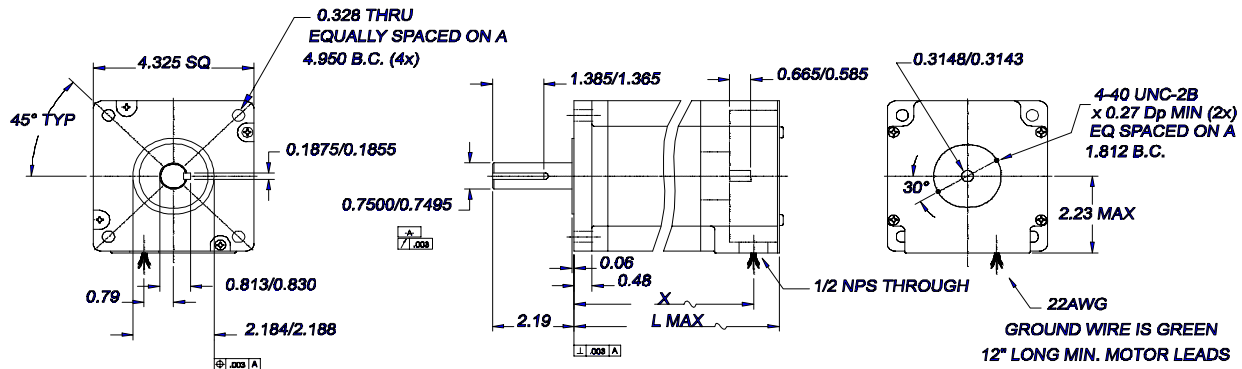




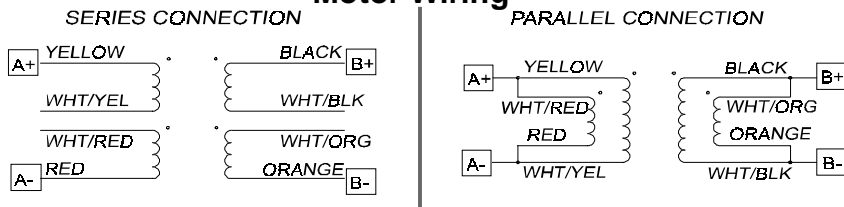
# P/K 41, 42, 43 Step Motor Specifications



### Motor Dimensions

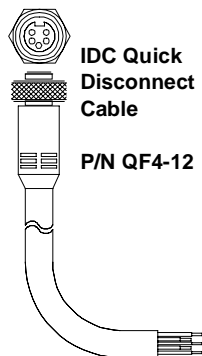
MOTOR	X	LMAX.
P41/K41	4.46	5.20
P42/K42	6.48	7.22
P43/K43	8.49	9.23

### Motor Wiring



Note: Specs. are for both series and parallel wiring unless preceded by: T=Series or V=Parallel

Electrical Specs.	P41	P42	P43	K41	K42	K43
Continuous Stall Torque oz-in [N-m]	1250 [8.8]	2300 [16.2]	3250 [22.9]	TBD	3000 [21.2]	TBD
Recommended Current/Phase Amps	T=2.8	T=3.3	T=3.3	T=2.8	T=3.2	T=3.3
	V=5.7	V=6.6	V=6.6	V=5.7	V=6.4	V=6.6
Inductance mH	T=60	T=84	T=112	T=60	T=60	T=112
	V=15	V=21	V=28	V=15	V=15	V=28
Max. Winding Temperature °F [°C]	212 [100]	212 [100]	212 [100]	212	212 [100]	212
Mechanical Specs.	P41	P42	P43	K41	K42	K43
Rotor Inertia oz-in-sec	.0783	.1546	.2293	.0783	.1546	.2293
Axial Shaft Load lbs [N]	404 [1790]	404 [1790]	404 [1790]	404	404 [1790]	404
Radial Shaft Load @ 0.5 inches lbs [N]	125 [550]	110 [489]	110 [489]	125	110 [489]	110
Motor Weight lbs [kg]	11	18.4	25.7	11	18.7	25.7
Step Angle (full step) degrees	1.8	1.8	1.8	1.8	1.8	1.8



Wire Color on Quick Disconnect Cables	Drive Connection
Red w/ Black	B-
Red w/ White	B+
Green	*GND
Red w/ Yellow	A-
Red	A+

\*Gray-colored Quick Disconnect Cables are shielded - connect shield to GND.

Encoder Color Code & Pin-out for P&K Motors		
Signal	Pin	Color
A+	B	Red
A-	C	Pink or Purple
B+	N	Green
B-	P	Blue
Z+	M	Yellow
Z-	U	Orange
+5V	K	White
COM	T	Black
Shld	---	---
		Brown (NC)

