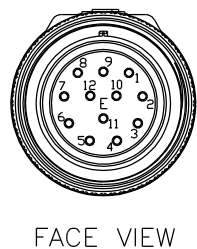
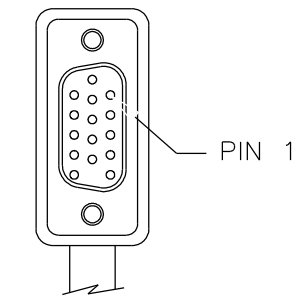
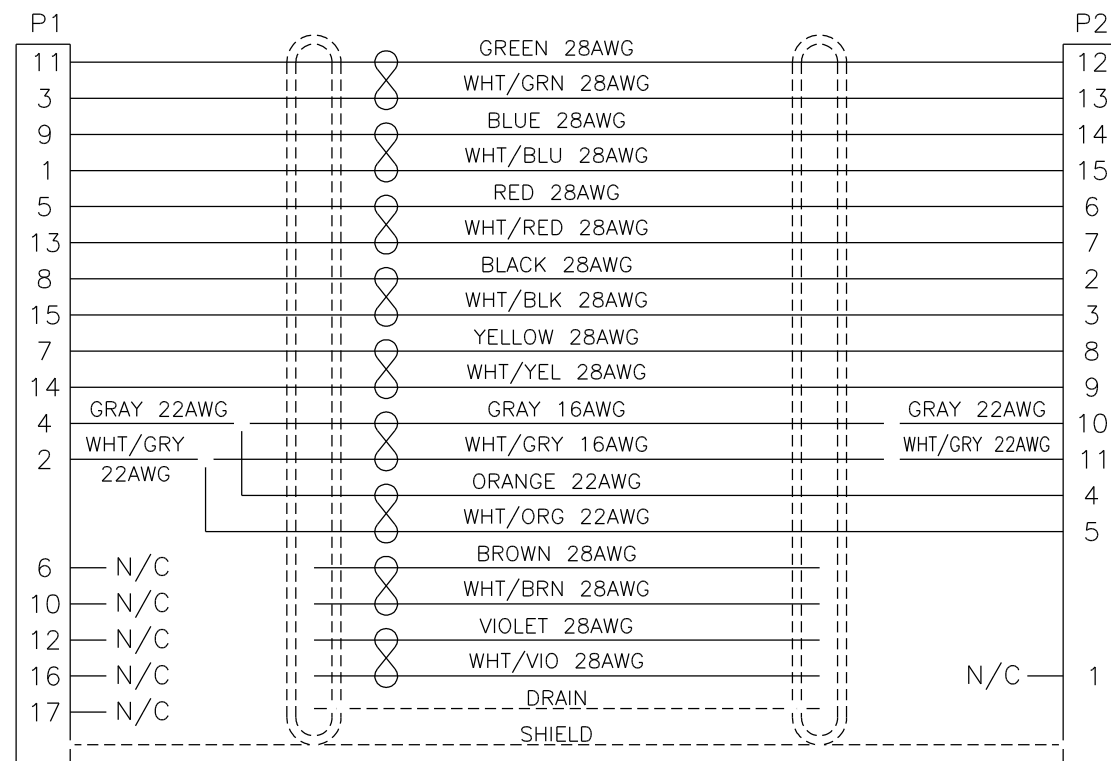


TOLERANCE	
UP TO 2.99M = +10cm, -0"	15M TO 29.99M = +45cm, -0"
3M TO 8.99M = +15cm, -0"	30M AND OVER = +60cm, -0"
9M TO 14.99M = +30cm, -0"	



FACE VIEW



FACE VIEW

VF-SB4474N-01-0	0.269KG
VF-SB4474N-03-0	0.547KG
VF-SB4474N-06-0	0.974KG
VF-SB4474N-09-0	1.386KG
VF-SB4474N-12-0	1.798KG

ASSEMBLY WEIGHT

VF-SB4474N-**-**

- 1) Cable Specifications:
 Jacket Material: TPE
 Outside Diameter: $\varnothing 9.65\text{mm} \pm 0.35\text{mm}$
 Bend Radius (min): 96.5mm
 Static Flex Rating: Not Rated
 Dynamic Flex Rating: Not Rated
 Temperature Rating: 105°C
 Voltage Rating: 300V
 AWM Style: UL20327
- 2) Assembly Weight - SEE TABLE
- 3) This assembly is RoHS COMPLIANT

= TWISTED PAIR

N/C DENOTES NO CONNECTION

CONNECTOR BACKSHELL SHIELDED 360° (BOTH ENDS)

DANAHER MOTION
 AKM DRIVE
 AKM MOTOR EURO STYLE
 SINE ENCODER FEEDBACK CABLE